

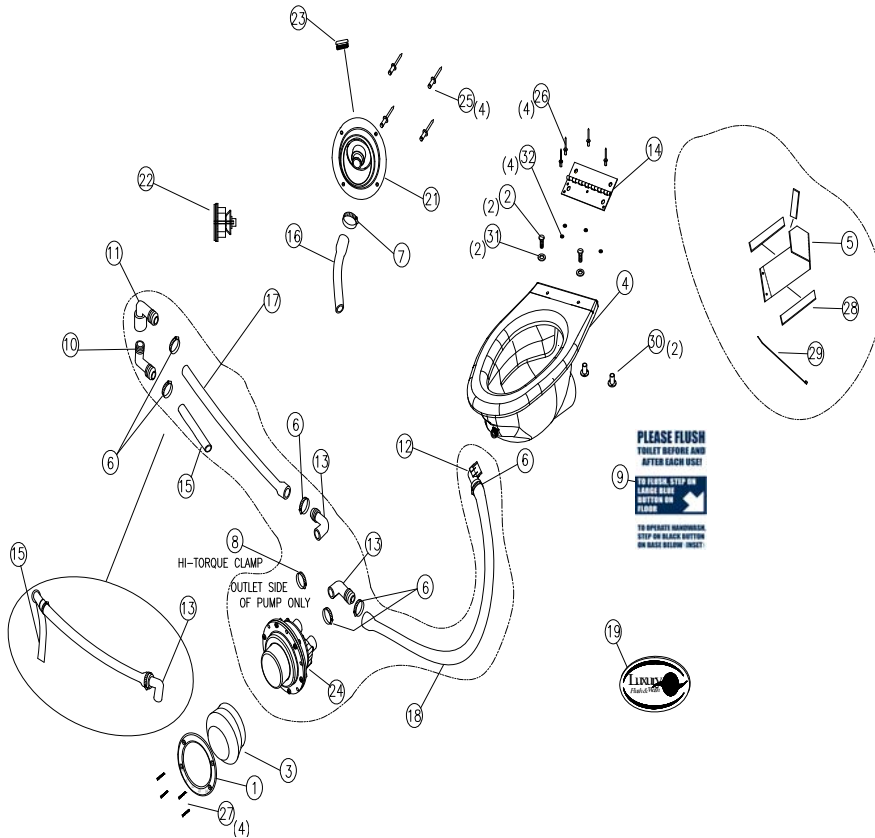
Instructions

Maxim 3000® Turbo Flush Installation

INTRODUCTION

Satellite portable restrooms and accessories must be assembled according to approved assembly procedures. Avoid variations in assembly procedures, which could adversely affect product life and warranty.

HARDWARE:



32	11315	4	WASHER, 3/16 RIVET STNLS
31	12382	2	WASHER, 1/4 FLAT STNLS
30	16884	2	T-NUT, 1/4-20 X 3/4 PLTD
29	11470	1	TIE, WIRE 12in
28	17748	16"	STRIP, 1in ADHESIVE DOUBLE BACK
27	17505	4	SCREW, #10-24 1-1/2 STNLS PH
26	11270	4	RIVET, #68 STNLS
25	17436	4	RIVET, AVDEL SILVER
24	17504	1	PUMP, STRAIGHT GUZZLER FOOT
23	17224	1	PLUG, 1-5/8" ROUND HOLE
22	17458	1	PLUG, 2in RUBBER HOLE
21	16858	1	PLATE, FILL/PUMP-OUT
20	17823	1	INSTRUCTIONS, MX3 TURBO F/FLSH (NOT SHOWN)
19	17318	1	ICON, UPGRADE DECAL
18	17097	1	HOSE, 3/4 X 72 GREEN
17	17096	1	HOSE, 3/4 X 25 GREEN
16	15968	1	HOSE, 1 X 8 GREEN
15	16222	7.5"	HOSE, 3/4 ROLLERFLEX GREEN
14	17169	1	HINGE, FLUSH BOWL
13	14958	2	ELBOW, 90° 1in PMP SLP X BORE HS
12	18145	1	ELBOW, 90° 3/4 FPTX3/4 INS BLK
11	14675	1	ELBOW, 90° 3/4 FPT X 3/4 INS
10	11977	1	ELBOW, 90° 3/4 MPT X 3/4 INS PV80
9	21150	1	DECAL, FOOT FLUSHING
8	17498	1	CLAMP, #30 HI-TORQUE
7	10281	1	CLAMP, WORMDRIVE #20
6	12588	6	CLAMP, WORMDRIVE #12
5	17747	1	BRACKET, TURBO HOSE COVER PLST
4	17442	1	BOWL ASSY, MX3 TURBO W/COLLAR
3	15801	1	BOOT, BUTTON PUMP
2	13216	2	BOLT, 1/4-20 X 3/4 SLOT PNHD
1	16969	1	BEZEL, FOOT PUMP

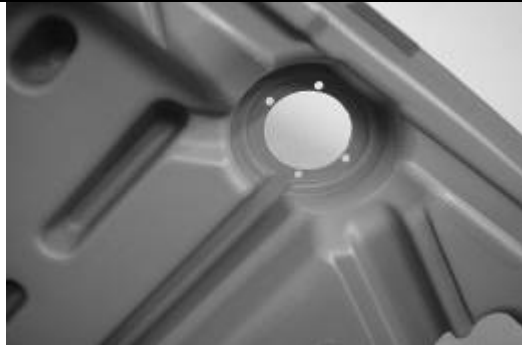
Tools:

- DRILL ELEC/CORDLESS
- STANDARD SCREWDRIVER
- PHILLIPS SCREWDRIVER BIT
- 5/16"[8MM] NUT DRIVER BIT
- 5/32"[4mm] HEX HEAD WRENCH
- HOLE SAW 5.50"[140mm]
- HOLE SAW 4.50"[115mm]
- HOLE SAW 2.00"[50mm]
- HOLE SAW 1-1/2"[38mm]
- HOLE SAW 1-1/8"[29mm]
- RECIPROCATING SAW
- PLIERS
- #10 DRILL BIT
- RIVET GUN
- 7/16" DRILL BIT

Prepare Base Assembly. (If pump is pre-assembled on base, go to step#8.)

step#1

Locate this feature on the base. Drill (4) 7/16" [11mm] holes as shown. Drill the center hole using the 4-1/2" [115mm] diameter hole saw or to use a reciprocating saw, drill through the center dimple and place the template (last page of instructions) on the top of the floor



step#2

Locate this feature on the base Drill a 1-1/2" [38mm] hole on the lower left as shown and a 1-1/8" [29mm] hole on the upper right as shown.

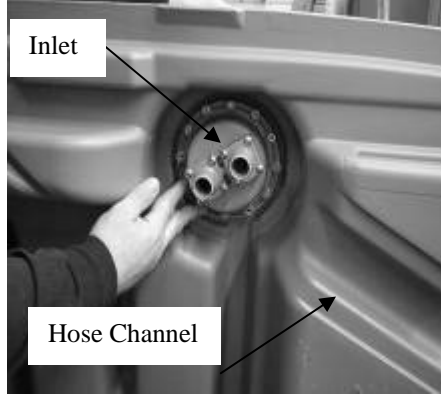


step#3

Place the rubber boot on the pump

**step#4**

Position the pump approximately as shown. The inlet side on the pump is the closest to the hose channel on the base.

**step#5**

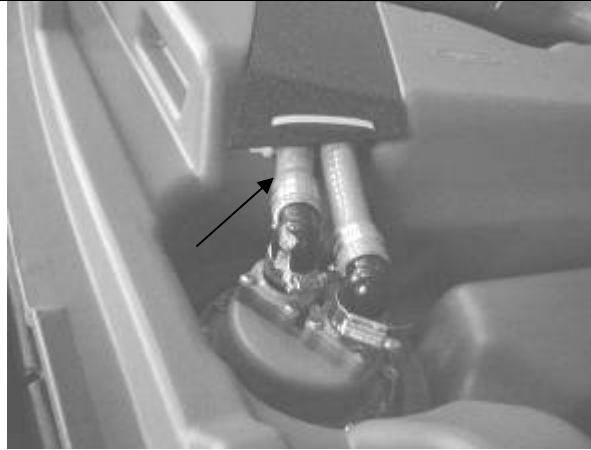
Place the bezel over the boot with the word "FLUSH" toward the center of the floor. Start all the screws by hand. Tighten the screws. Make sure not to over tighten or bezel will bend.

**step#6**

First install inlet hose through slot in bracket as shown. Then install outlet hose through slot in bracket. With 80 to 120 grit sandpaper scuff and clean surface of channel and front panel of base where adhesive on bracket will be installed. (slightly roughed surface will give maximum adhesion) Peel backing from the two long strips of adhesive tape.

**step#7**

Position bracket as shown on the base. Peel backing from short tape and secure bracket to base. (Note: take care to position bracket correctly before pushing adhesive to surface). Thread wire tie through bracket then around both hoses. Wire tie lock should be to the outside of bracket as shown when assembled.

**step#8**

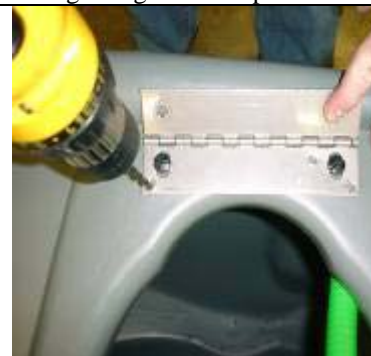
Insert end of inlet hose into 1-1/8" [29mm] hole in top of base.

**step#9**

Drill 2" [50mm] hole on the dimple located on the right side of the tank. (viewed from rear). Insert the outlet hose into the hole in the tank.

**step#10**

Position hinge using plastic screws supplied with the toilet seat. Drill (4) #10 [5mm] holes through hinge as a template.

**step#11**

Rivet the hinge to the tank using (4) stainless rivets (Installed from top) and backup washers. (Inside tank)



Prepare tank and bowl assembly.

Step#12

Place bowl in tank and mark a center line on the tank rim using the center of the nozzle in the bowl.

step#13

Cut out the pattern and place the instruction template over rim and align with center line and mark cut out.

step#14

Using a jigsaw, cut out marked out clearance notch



Or with 2" hole saw

Prepare tank and bowl assembly

Step#15

Drill dimple on inside of tank rim with a 2" hole saw. Start drill straight into dimple, until pilot bit goes through inside surface.

step#16

Tilt hole saw at 90 degrees of toilet rim. Drill through surface. Clean and deburr hole.

step#17

Attach the hose to the bowl. Use teflon tape on nozzle. Thread bowl with nozzle into 90-degree elbow.

**Step#18**

Remove plastic screws. Insert (2) tee nuts and close hinge.

step#19

Position the Bowl and Toilet Seat over the T-Nuts as shown. Hand thread (2) 1/4-20 screws and washers into the T-Nut. Tighten the screws. Snap the screw covers into place



Prepare to assemble the Fill/Pump-out Port.

Step#20

Assemble the large hose to the Fill/Pump-out port using a #20 wormdrive clamp. Note the curvature of the hose and the clamp on the left side to the relationship of the fill port.

**step#21**

Drill out recess using a 5-1/2" [140mm] hole saw using center dimple to position or cut at the outside edge of the recess as shown using a reciprocating saw.

**step#22**

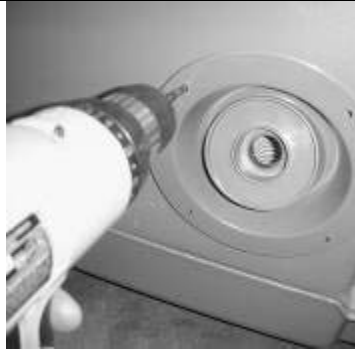
Assemble the rear panel to the unit.

**step#23**

Insert the large hose into the 1-1/2" [38mm] hole in the base. Make sure the hose does not kink.

**Assemble the Fill/Pump-out Port.****Drain plug assembly****step#24**

Drill a #10 (3/16") [5mm] hole into the rear panel using a hole in the port as a guide. Be CAREFUL to drill through only one wall on the panel.

**step#25**

Rivet the port to the rear panel using a silver colored expanding aluminum rivet. Drill and rivet the (3) remaining holes. Install plug into fill/pump out port

**step#26**

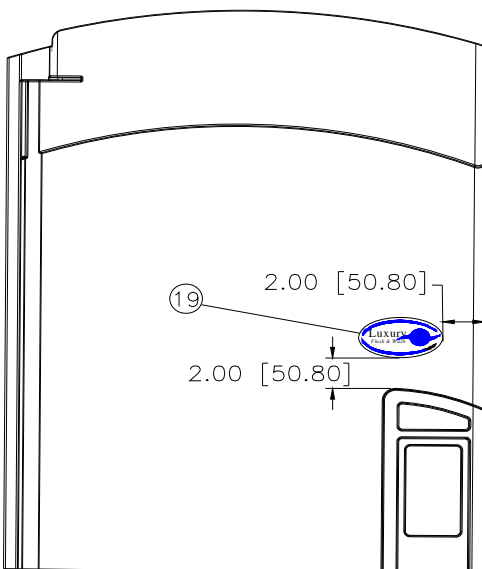
With holes saw drill 2.00" [50mm] through dimple located in rear of the base.

**step#27**

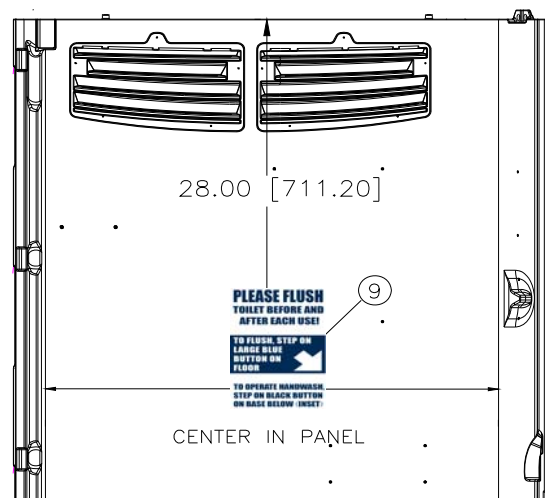
Insert 2.00" plug and tighten with 5/32" hex head wrench.

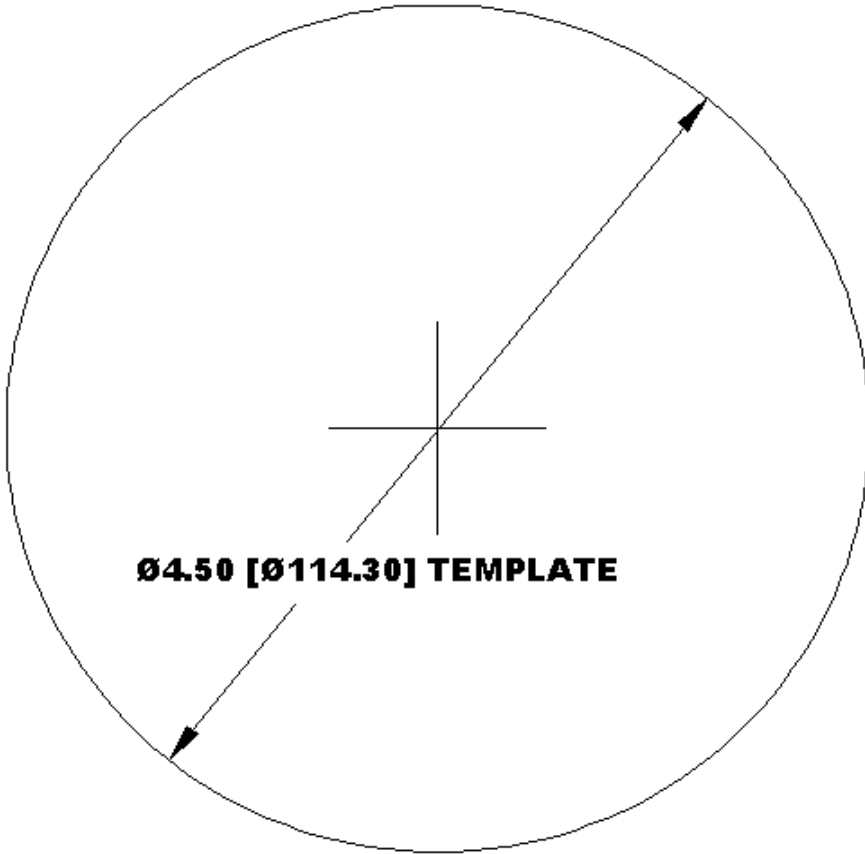
**Install the 'Luxury Flush & Wash' and "Foot Flush" decal.**

DOOR ASSY



RIGHT PANEL

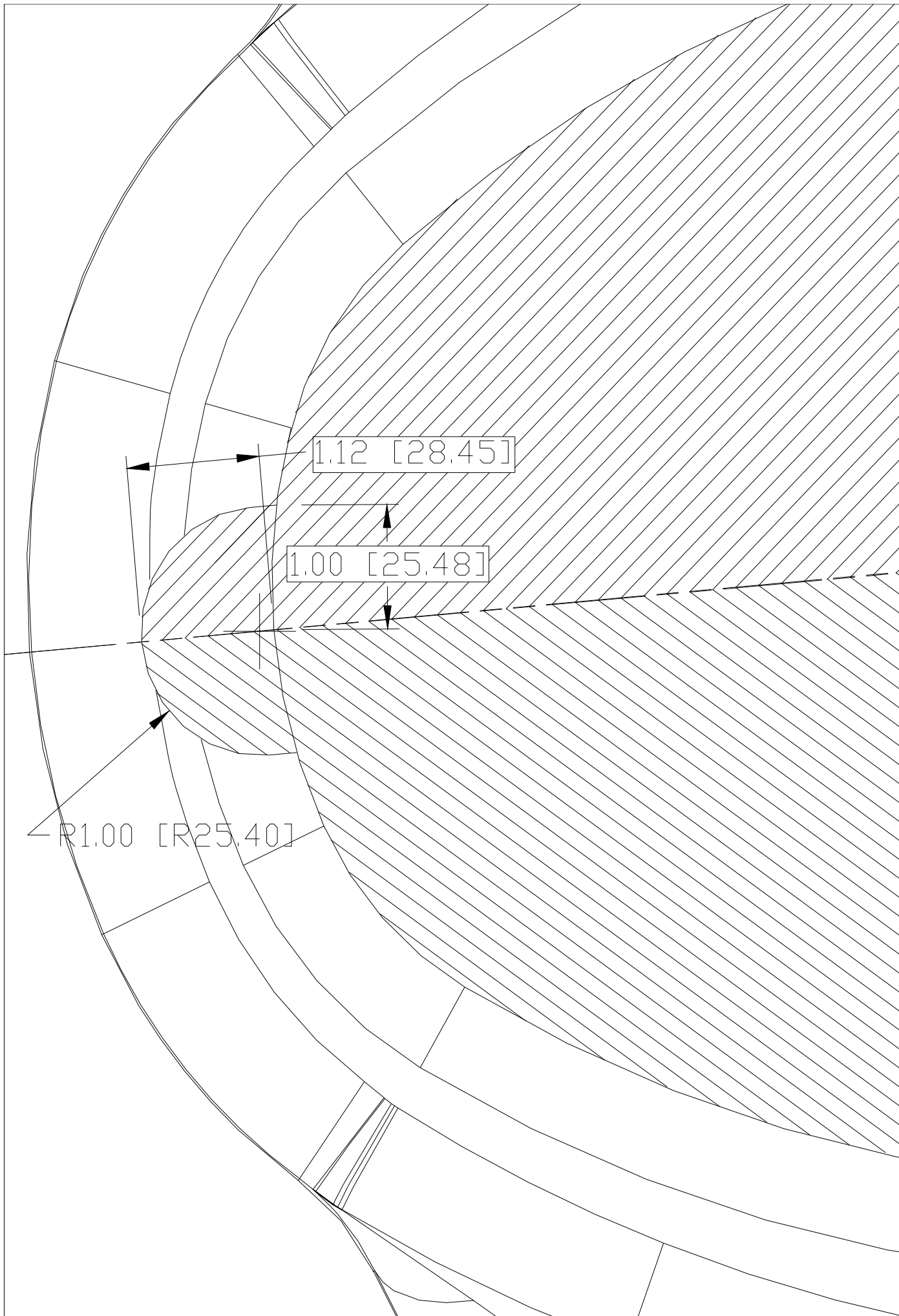




Ø4.50 [Ø114.30] TEMPLATE



2530 Xenium Lane North, Minneapolis, MN 55441
Telephone: 763-553-1900 Fax: 763-553-1905
800-328-3332 / www.satelliteindustries.com



1.12 [28.45]

1.00 [25.48]

R1.00 [R25.40]