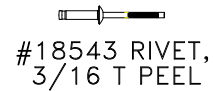
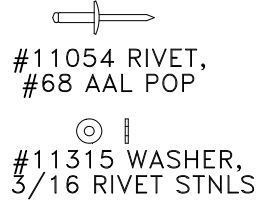
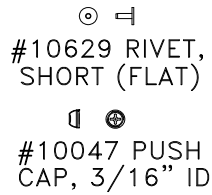
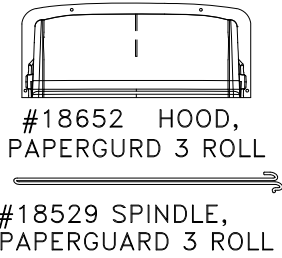


INSTRUCTIONS PAPERGUARD 3 ROLL INSTALLATION

INTRODUCTION: Satellite portable restrooms and accessories must be assembled according to approved assembly procedures. Variations in assembly could adversely affect product life and warranty.

HARDWARE:

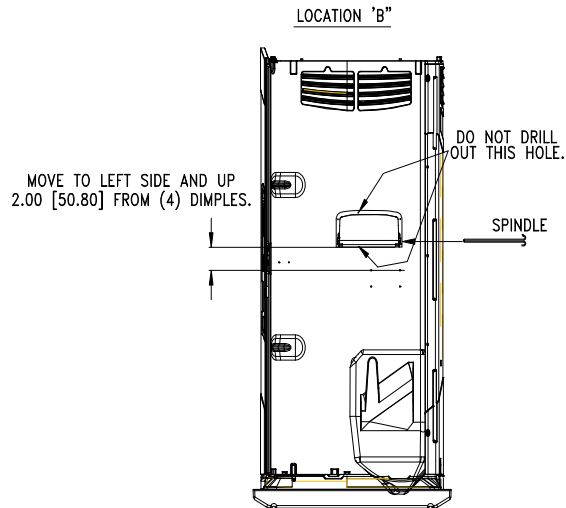
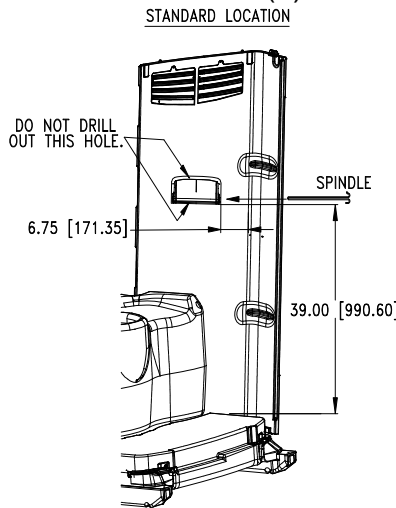


TOOLS: *Drill, *1/4 Drill Bit, *#10 Drill Bit *Rivet Gun, *Block Wood, *Hammer

***NOTE:** Check to see if Toilet has Handwash, Slimmate II, Swish or Fliptop tank. If so, use location B.

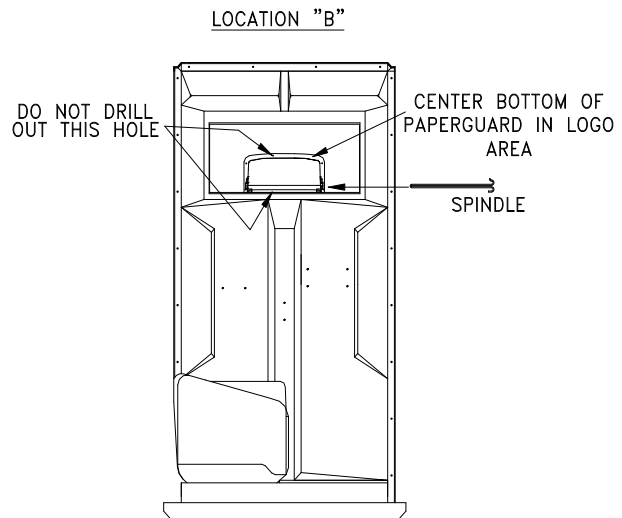
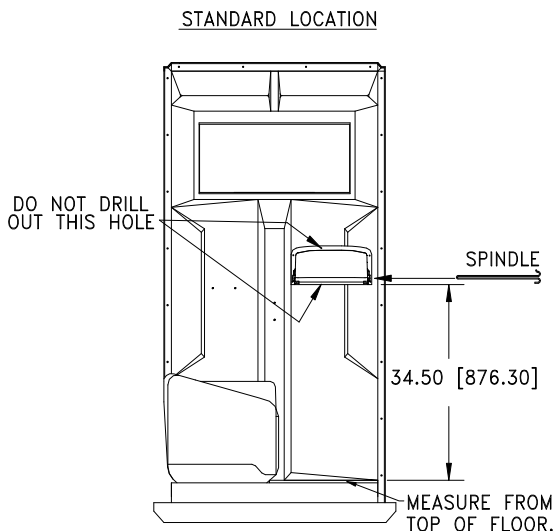
Maxim 3000®

1. Hold and level paperguard in location shown below. Transfer drill through (4) holes in paperguard with a #10 (3/16") drill bit into panel wall. **Note: Be careful to drill through first layer ONLY.**
2. Fasten with #18543 Peel Rivet (4).



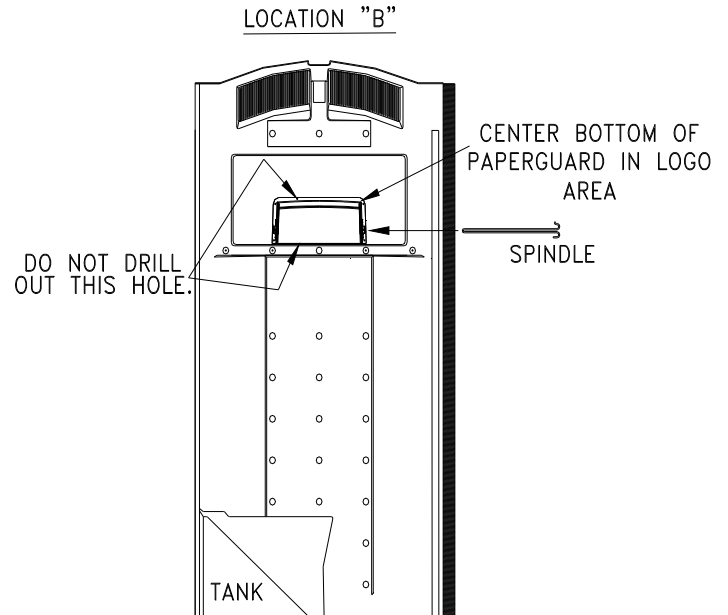
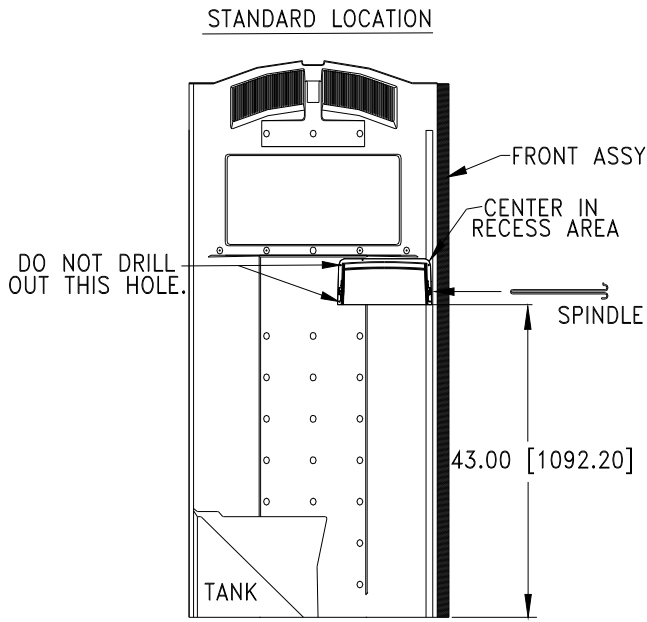
Tufway®

1. Hold and level paperguard in location shown below. Transfer drill through (4) holes in paperguard with a #10 (3/16") drill bit through panel wall.
2. Fasten with #10629 short rivet and #10047 push cap (push caps on the outside of the toilet) or #11054 Rivet and #11315 Washer (Rivets on the outside of the toilet).



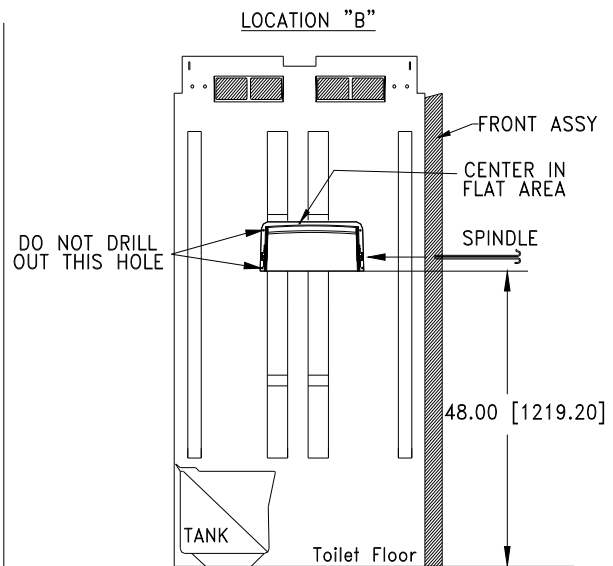
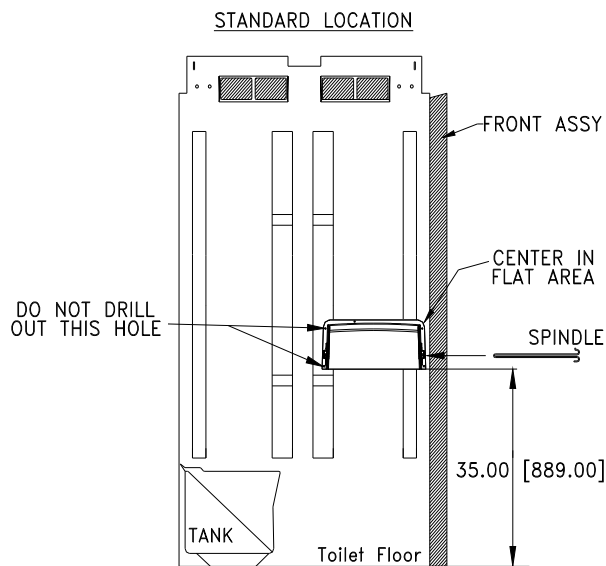
Taurus®

1. Hold and level paperguard in location shown below. Transfer drill through (4) holes in paperguard with a #10 (3/16") drill bit drill through panel wall.
2. Insert spindle as shown below.
3. Fasten with #11054 Rivet and #11315 Washer (Rivets on the outside of toilet).



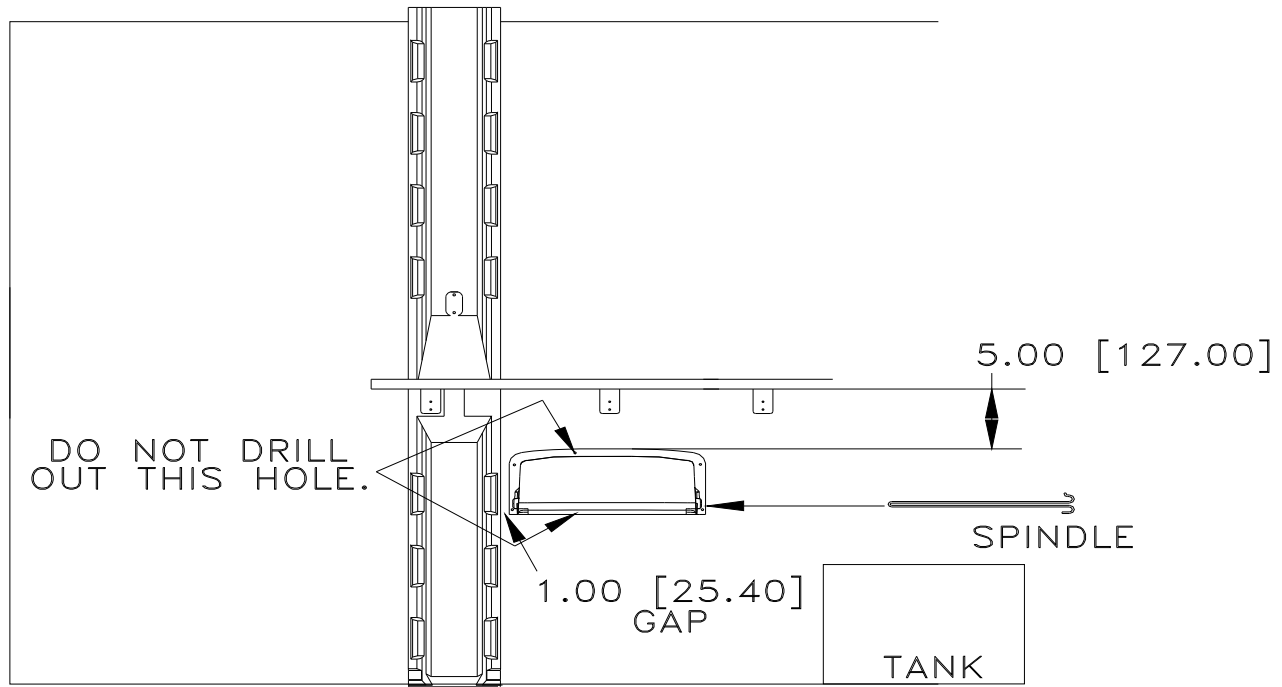
High Tech 1®

1. Hold and level paperguard in location shown below. Transfer drill through (4) holes in paperguard and with a #10 (3/16") drill bit drill into panel wall. **NOTE: Be careful to drill through first layer ONLY.**
2. Insert spindle as shown below.
3. Fasten with #18543 Rivet Peel.



World Care II®

1. Hold and level paperguard in location shown below. Transfer drill through (4) holes in paperguard and with a #10 (3/16") drill bit through panel wall.
2. Insert spindle as shown below.
3. Fasten with #11054 Rivet and #11315 Washer (Rivets on the outside of the toilet).



2530 Xenium Lane North, Minneapolis, MN 55441

Telephone: 763-553-1900 Fax: 763-553-1905

800-328-3332 / www.satelliteindustries.com