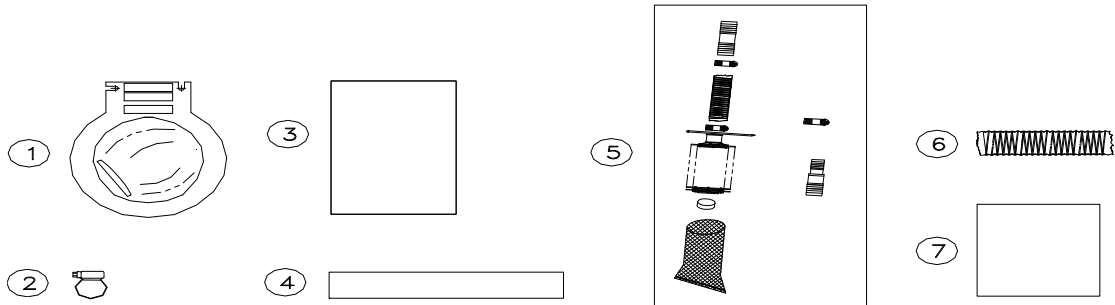


ROTOMOLD BASE FOOT FLUSH WITH WESTERN FLUSH BOWL

ASSEMBLY INSTRUCTIONS

INTRODUCTION: Satellite portable restrooms must be assembled according to approved assembly procedures. Avoid variations in assembly procedures which could adversely affect product life and warranty.



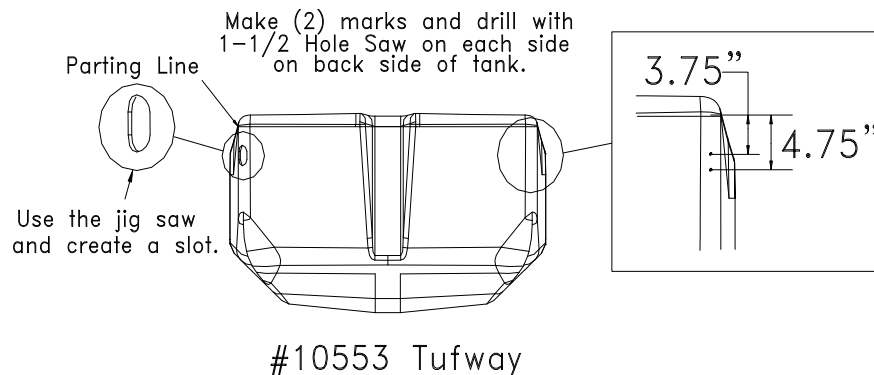
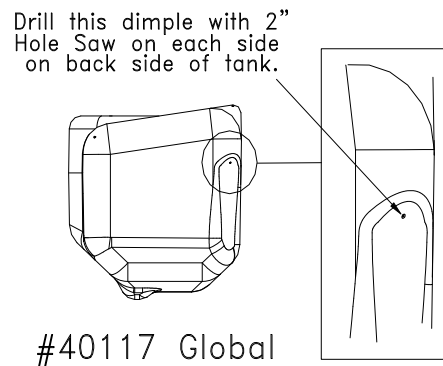
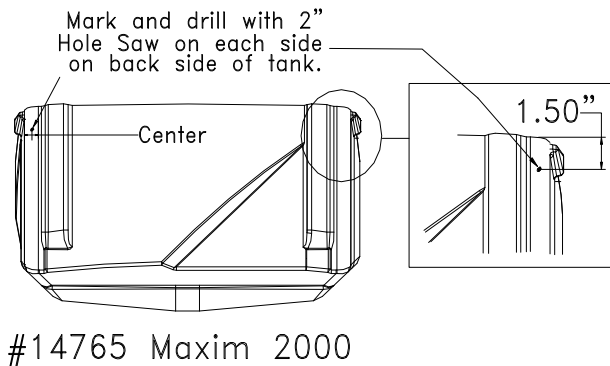
#21199 KIT, F/FLSH W/BOWL RT/BS

7	21147	1	INSTRUCTION, F/FLSH W/BOWL R/B
6	14384	6"	HOSE, #44 FLEX
5	21048	1	FILTER ASSY, TFW FOOT FLSH
4	21151	1	DECAL, FLUSHING UNIT
3	21150	2	DECAL, FOOT FLUSHING
2	12588	2	CLAMP, WORMDRIVE #12
1	18473	1	BOWL ASSY, FLUSH-II

TOOLS: *5/16 Nut Driver Bit *Rivet Gun *Phillips Screwdriver *Flat Blade Screwdriver *#10 (3/16") Drill Bit
*Heat Gun *2" Hole Saw *Elec/Cordless Drill *1-1/2 Hole Saw *Jig Saw

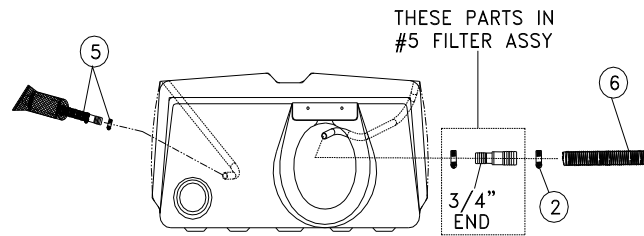
NOTE: Some of the pictures show just the Tufway parts, but the assembly is the same for all.

- 1. Seat Tank in Base.** (Note: Make sure hoses on both ends of base assy are pulled out and not under tank). Check tanks below to match your tank before drilling holes.
- 2. Drill Holes in Tanks:** Drill Holes in each Corner on back side of Tanks as shown.

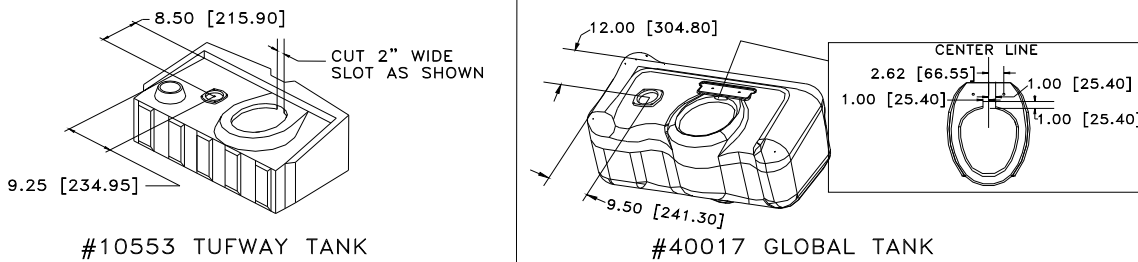


- 3. Insert hoses from Base Assy in drilled holes.**

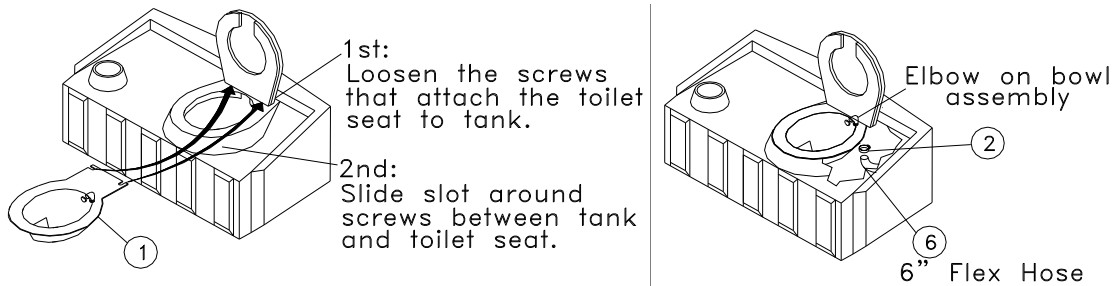
4. **Fasten Filter Assy:** Install the filter assy to hose as shown. **NOTE:** It works best to heat end of hose before inserting fitting, be careful not to over heat, just heat to soften hose.
 - Place filter assy in bottom of tank.
5. **Fasten Hose and Fitting for Bowl assy as Shown:** You may need to heat 3/4" hose end.



6. **Cut slot for Hose and Elbow Clearance:** Match tank to tank you have and cut slot as shown. **Note:** The Maxim 2000 does not need a slot cut in tank.

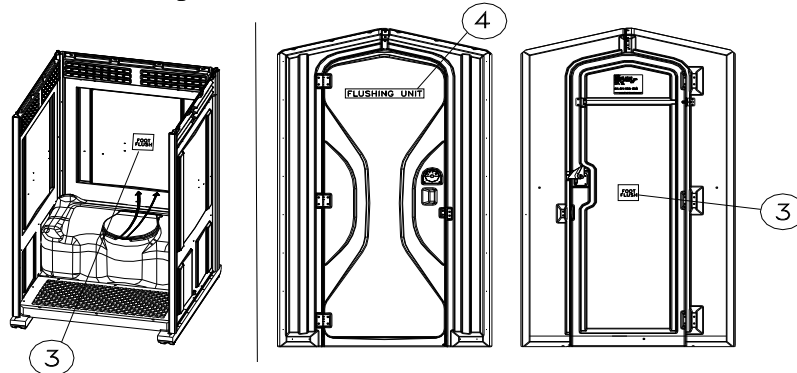


7. **Fasten bowl to Tank and Hose to Bowl as shown.**



8. **Fasten Decals as shown:**

- ***Decal #4 Flushing Unit:** Measure 7" down from top of door opening. Center and attach.
- ***Decal #3 Foot Flushing:** **1st Decal:** Flip toilet seat lid up and measure 2" above lid to bottom of decal and install to back panel. **2nd Decal:** Measure up 39" from floor to bottom of decal, center and install on inside of door attach. See below at reference pictures.



2530 Xenium Lane North, Minneapolis, MN 55441
 Telephone: 763-553-1900 Fax: 763-553-1905
 800-328-3332 / www.satelliteindustries.com