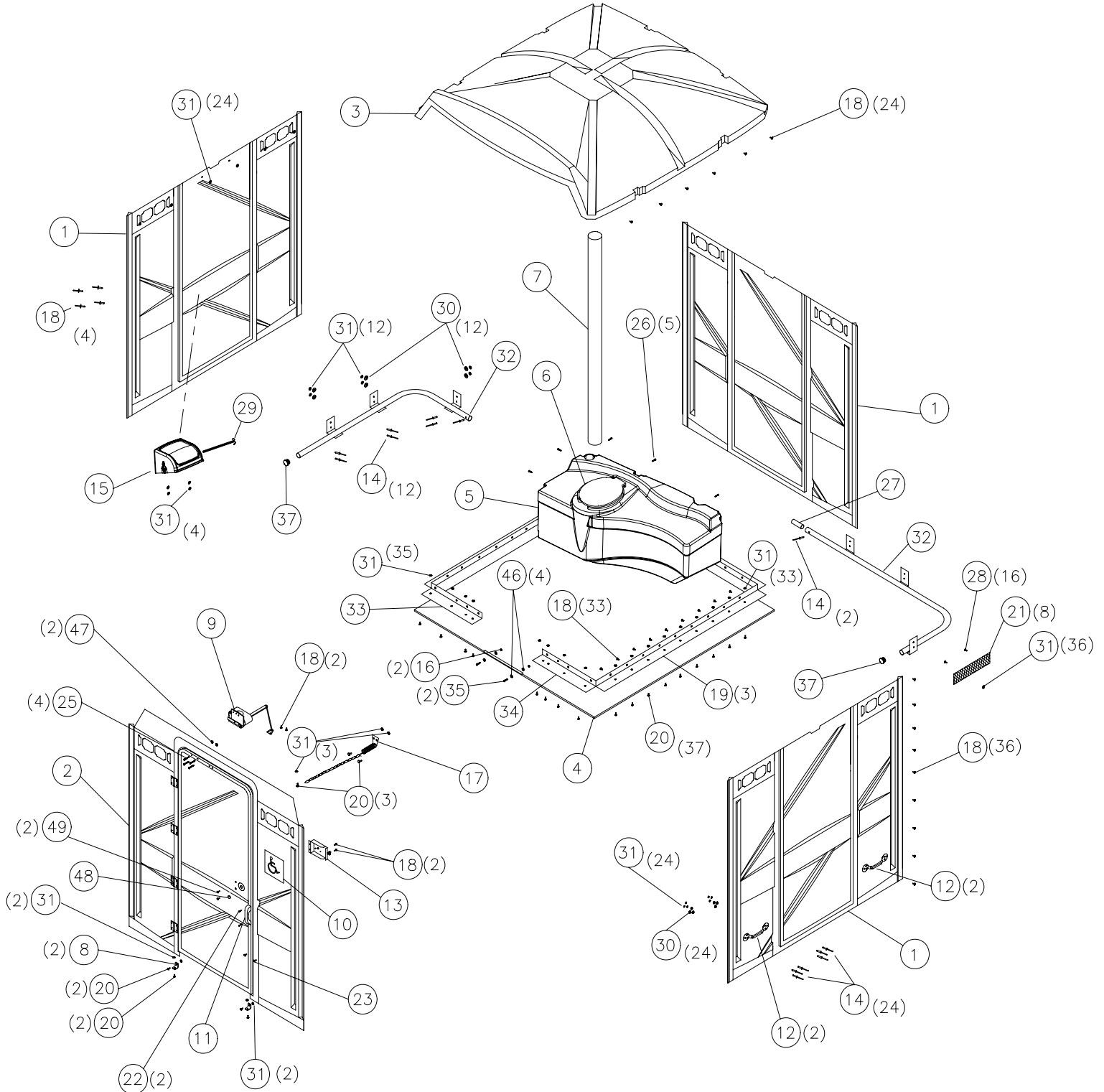


FREEDOM 2 PORTABLE RESTROOM ASSEMBLY INSTRUCTION



SATELLITE INDUSTRIES, INC.

2530 Xenium Lane North, Minneapolis, MN 55441
 Telephone: 763-553-1900 Fax: 763-553-1905
 800-328-3332 / www.satelliteindustries.com

PARTS LIST

49	11027	2	RIVET, #66 ALUM
48	10161	1	PLUG, 1/2" ROUND BLACK PLASTIC
47	14527	2	SPACER, FREEDOM2 HINGE
46	12382	4	WASHER, 1/4" FLAT STNLS
37	15588	2	PLUG, 1-1/4" HOLE
36	14579	1	INSTRUCTIONS, FREEDOM2 (not shown)
35	10105	2	BOLT, 1/4-20 X 1" PN PLTD
34	15407	1	ANGLE, PLSTC FRONT RGHT FREEDM
33	15406	1	ANGLE, PLSTC FRONT LEFT FREEDM
32	15590	2	HANDRAIL, FREEDOM2 L/R
31	11315	175	WASHER, 3/16" RIVET STNLS
30	11361	36	WASHER, 3/16" ID FENDER
29	16844	1	SPINDLE, PAPERGUARD II
28	15337	16	RIVET, .195" PLASTIC EXPANDING
27	15589	1	TUBE, HANDRAIL INSERT
26	13860	5	SCREW #14 x 1-1/2" W/WSH GOLD
25	10109	4	SCREW, #10-24 x 3/4" PN HD
24	18100	1	BOX, 70" X 16" X 8"
23	10812	1	RIVET, #612 ALUM
22	10122	2	SCREW, #10 x 3/4" PN PH TAP
21	14112	8	SCREEN, 3.8 x 15.25 PLSTC VENT
20	14351	44	RIVET, #610 CCP
19	15408	3	ANGLE, PLSTC SIDE FREEDM FLOOR
18	11054	101	RIVET, #68 AAL POP
17	11734	1	CHAIN, DOOR STOP
16	13128	2	NUT, 1/4"-20 NYLOC
15	17082	1	HOOD, PAPERGUARD II GREY
14	11270	38	RIVET, #68 STNLS
13	14528	1	LATCH, FREEDOM2 DOOR
12	14611	4	HANDLE, RESTROOM LIFT
11	13279	1	HANDLE, DOOR
10	10394	1	DECAL, ISA
9	16559	1	CLOSURE ASSY, ADJUSTABLE DOOR
8	16175	2	BRACKET, L 1" STNLS
7	13796	1	VENT PIPE, 3"x 65-1/2"
6	10570	1	SEAT, TOILET
5	16538	1	TANK, LARGE FREEDOM2 GREY
4	14556	1	FLOOR, FREEDOM2 DRILLED
3	14510	1	ROOF, FREEDOM2 NATURAL
2		1	FRONT ASSY, FREEDOM2 (SEE COLOR CHART)
1		3	PANEL, FREEDOM2 SIDE (SEE COLOR CHART)
ITEM #	PART #	QTY	DESCRIPTION

DESCRIPTION:	ROYAL BLUE	TEAL	SAND	FOREST GREEN
FRONT PART#	15172	15173	15541	15834
PANEL PART#	15120	14535	15524	15831

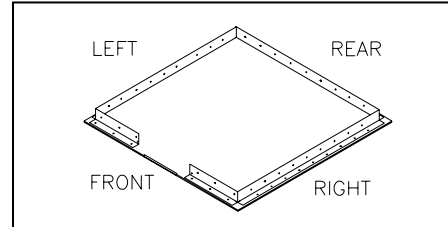
INTRODUCTION

Satellite portable restrooms must be assembled according to approved assembly procedures. Avoid variations in assembly procedures which could adversely affect product life and warranty.

TOOLS:

- 3/8" Hex Socket Driver
- #10 or 3/16", and 1/4" Drill Bit
- Drill
- Pop Rivet Gun
- Phillips and Flat Screwdriver

All references to left, right, front and rear correspond to this illustration.

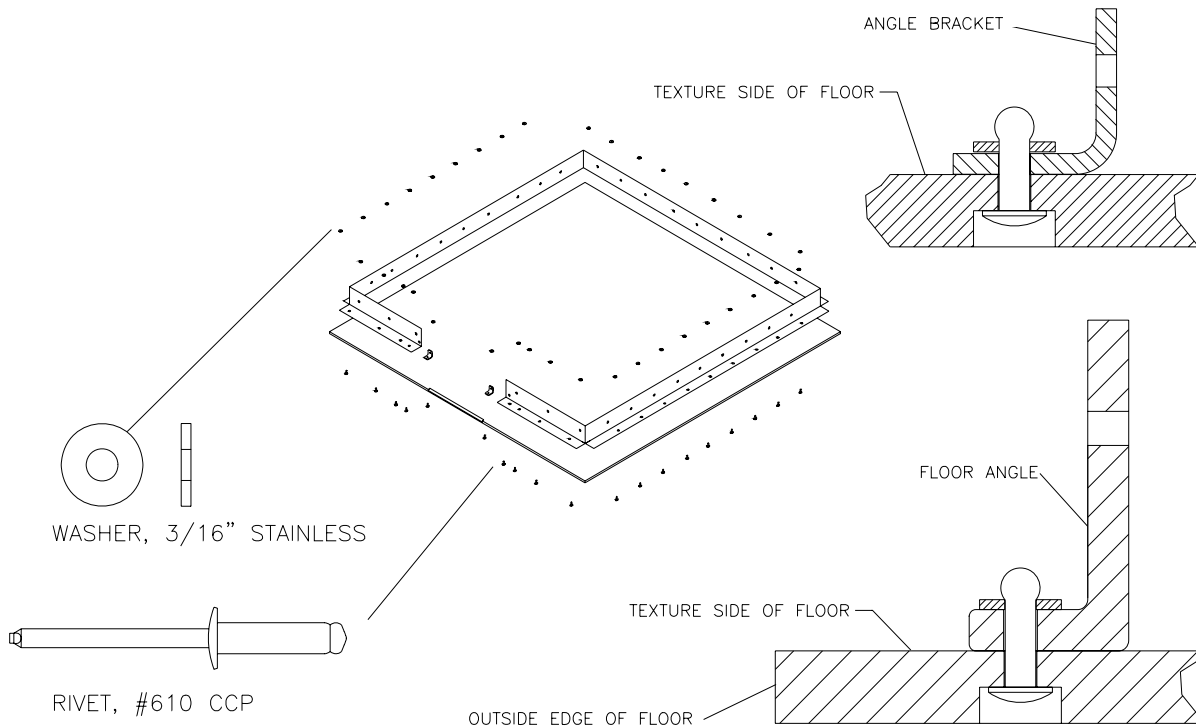


HELPFUL HINTS:

- Keep panels out of direct sunlight.
- Don't open up all of your kit boxes. Open up only enough kit boxes to assemble the number of toilets you are currently working on. **KEEP PARTS ORGANIZED.**
- It is very important to keep all panels positioned correctly when transfer drilling holes.

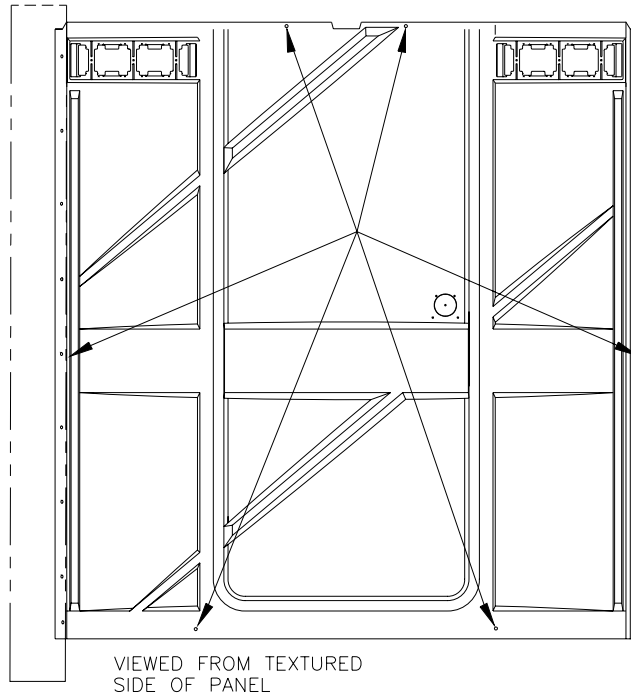
1. INSTALL ALL THE FLOOR ANGLES AND ANGLE BRACKETS TO THE FLOOR

Rivet the angles to the floor using #610 stainless rivets and back-up washers.



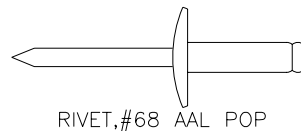
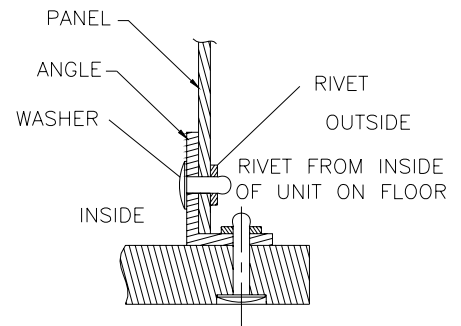
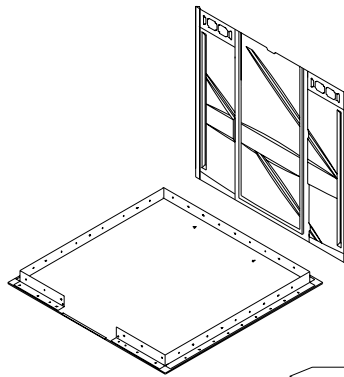
2. DRILL DIMPLES ON EACH OF THE THREE SIDE PANELS.

Using a 1/4" bit drill through the appropriate dimples (14 on each panel).



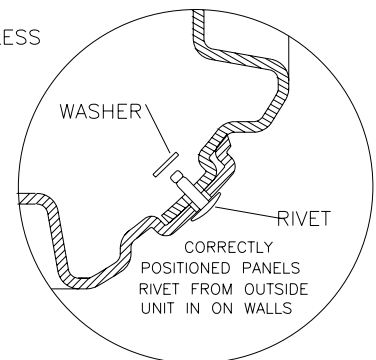
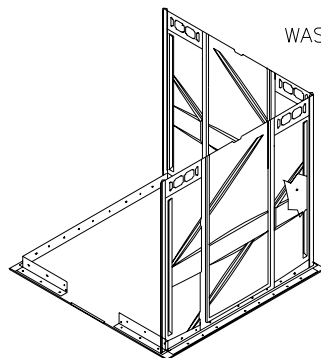
3. ATTACH REAR PANEL TO FLOOR ANGLE

Rivet the rear panel through the bottom two drilled dimples to the floor angle using #68 large flange aluminum rivets and back-up washers.



4. ATTACH RIGHT AND LEFT SIDE PANELS TO FLOOR/ANGLE

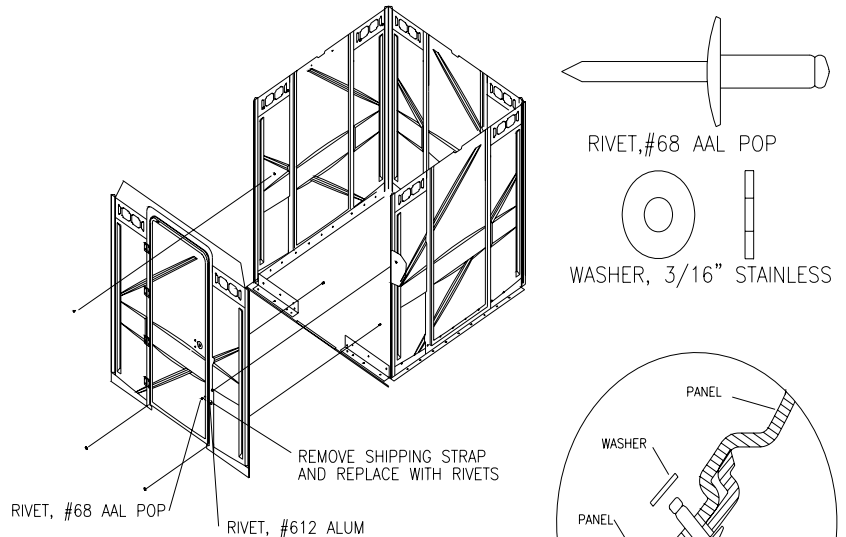
Join the side panel to the rear panel using #68 large flange aluminum rivets and back-up washers, through the 5th hole from the bottom. Join the panels to the floor angles through the two drilled dimples using #68 large flange aluminum rivets and back-up washer.



5. ATTACH FRONT

ASSEMBLY

Using #68 aluminum large flange rivets and back-up washer attach the front to the panels through the 5th hole from the bottom, and the bottom 2 predrilled holes. NOTE THE PANELS MUST BE IN THE CORRECT INTERLOCK POSITION.



6. POSITIONING THE

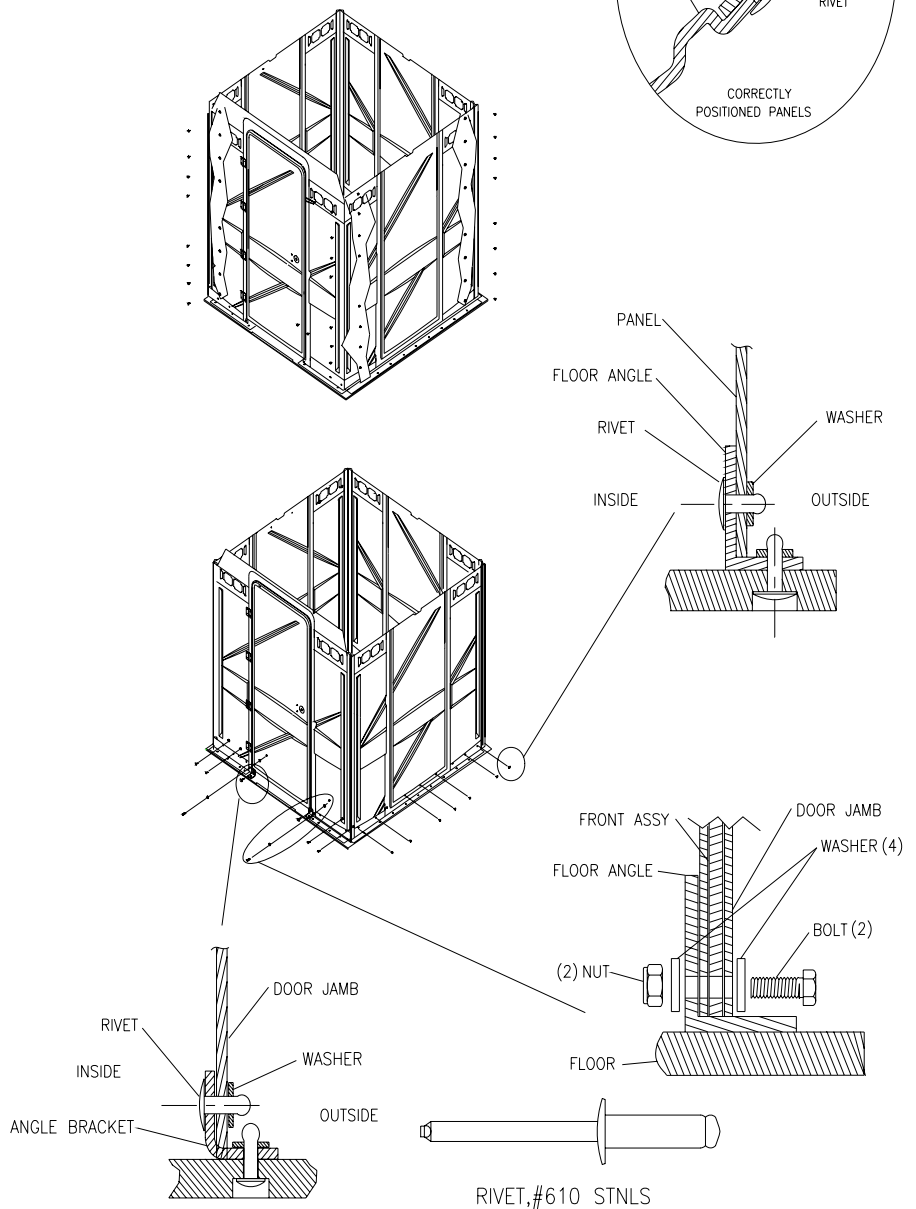
DOOR GAP: Install #68 stainless rivet thru .194" hole (at the bottom of the door jamb) into L bracket and place 3/16" washer on the outside and pop. Repeat for other side.

7. REMOVE SHIPPING STRAP ON THE FRONT

Remove screw and drilling out rivet. Replace rivet with the #612 alum rivet, no washer. Screw hole is used for door handle.

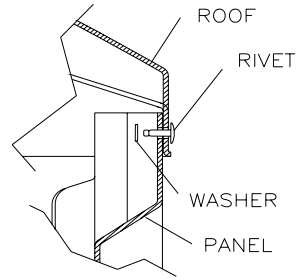
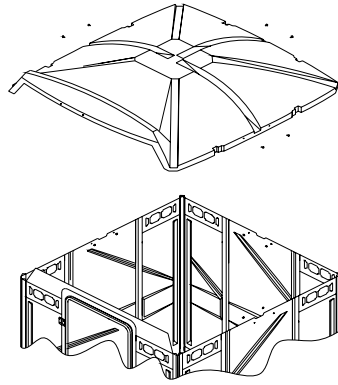
8. TRANSFER DRILL AND FINISH ATTACHING THE PANELS & FRONT

Using a 1/4" drill bit, transfer drill from the inside of the toilet the remaining eight locations in each corner and attach the panels and front using #68 large flange aluminum rivets and back-up washers. Transfer drill the panels and front with the floor angles. Finish attaching the rivets and washers in the floor angle from inside the toilet. Attach a 1/4-20 bolt, (2) washers and nut on both sides of the door.

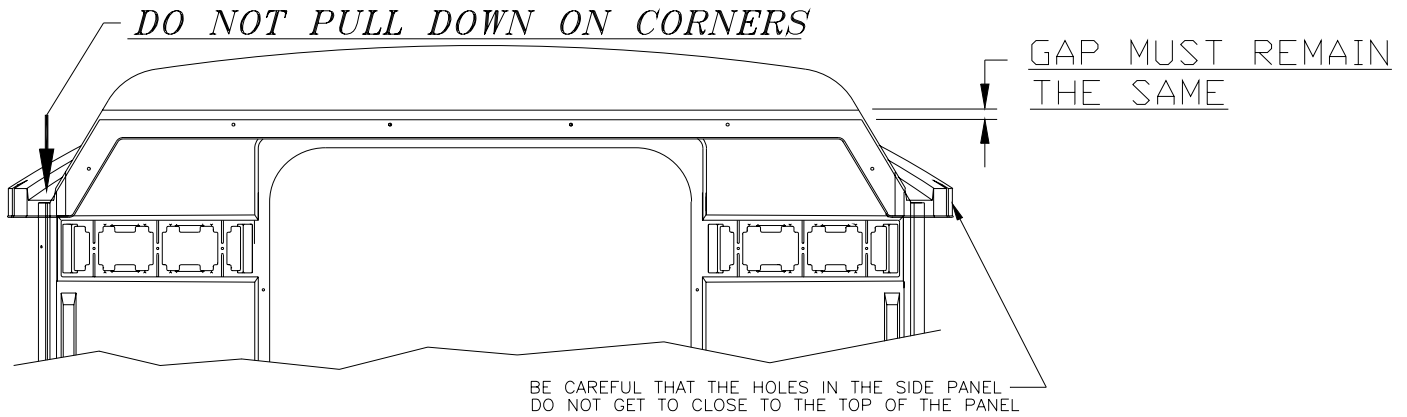


9. ATTACH ROOF TO SIDE PANELS

Drill all dimples on roof (24). Rivet the roof to the panel at the two center locations on each panel and front using #68 aluminum rivets and back-up washers.

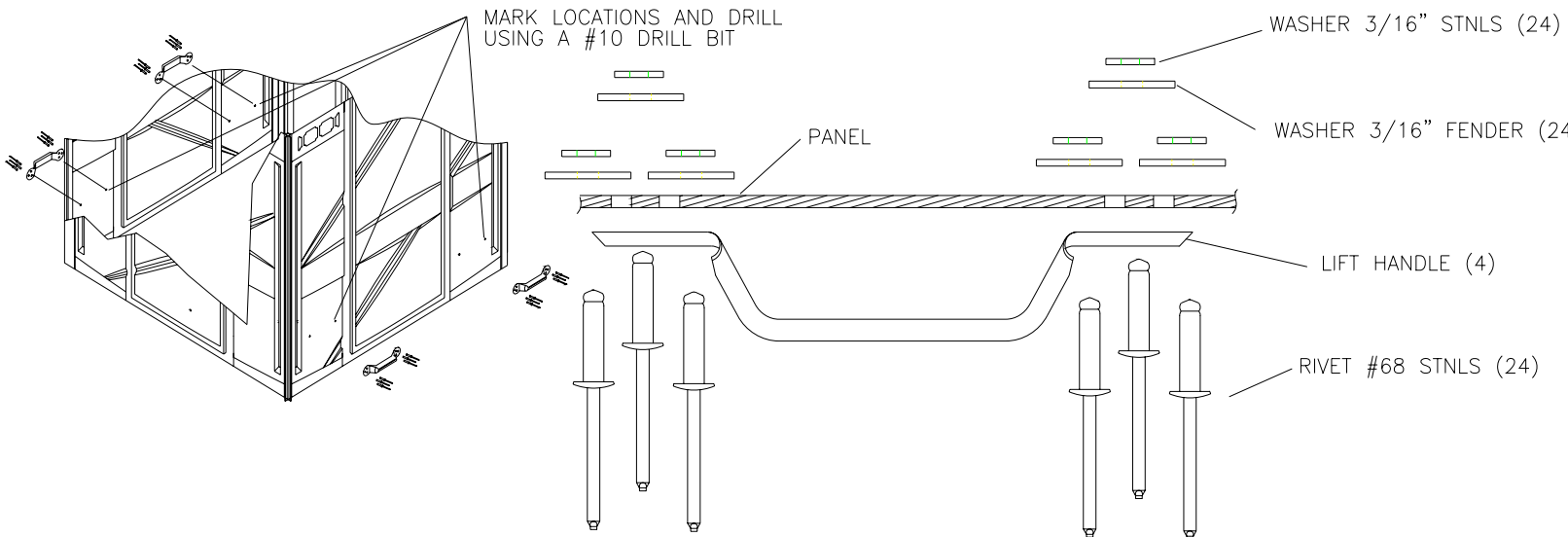


10. TRANSFER DRILL AND INSTALL REMAINING RIVETS TO THE ROOF AND SIDE PANELS AND FRONT. First transfer drill using a 1/4" drill bit both front side panel corners, **CAUTION:** Make sure the gap between the roof and panels is the same when transfer drilling the holes. Attach the roof to the side panels using #68 aluminum large flange rivets and back-up washers. Transfer drill and attach the roof to the panels and front through the remaining holes. **DO NOT** pull down on the corners of the roof while drilling.



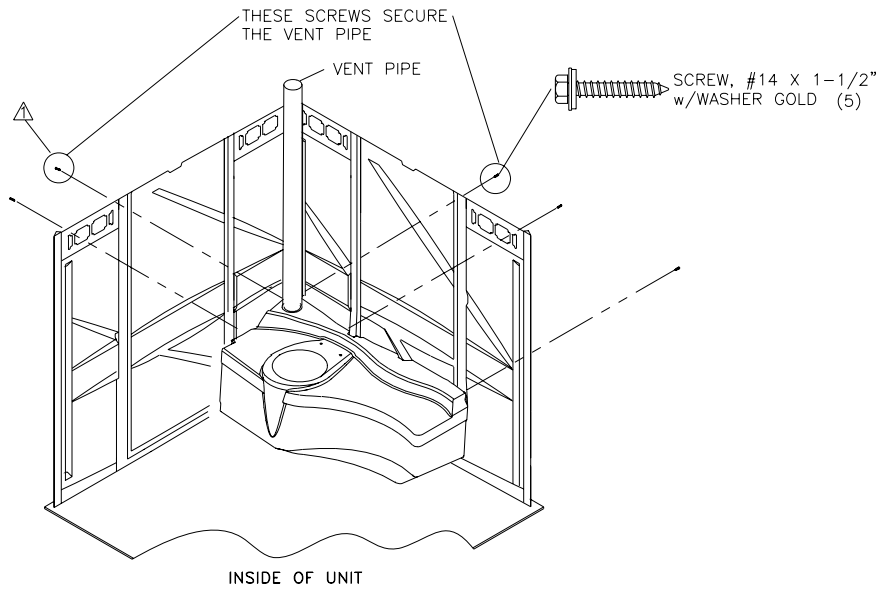
11. INSTALL LIFT HANDLES.

Position handles as shown on dimples in the two side panels, one using the front group of dimples and one using the rear group.

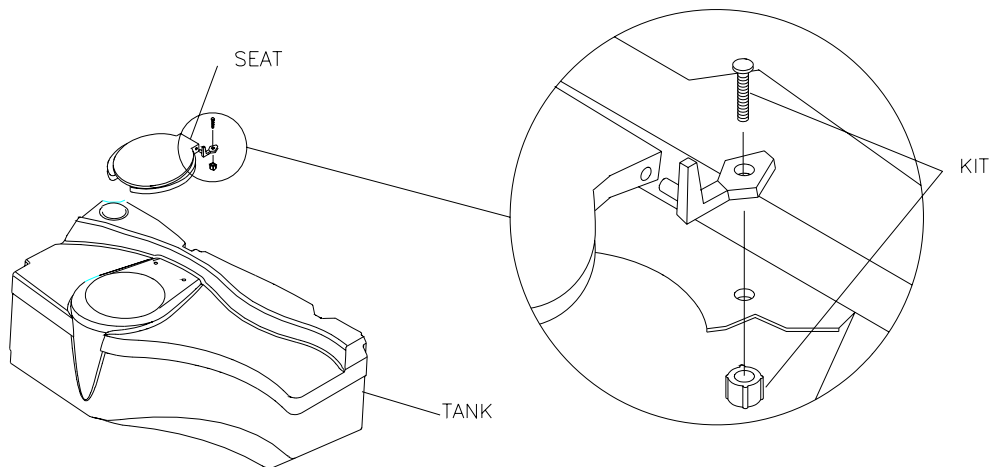


12. INSTALL LARGE FREEDOM2 TANK.

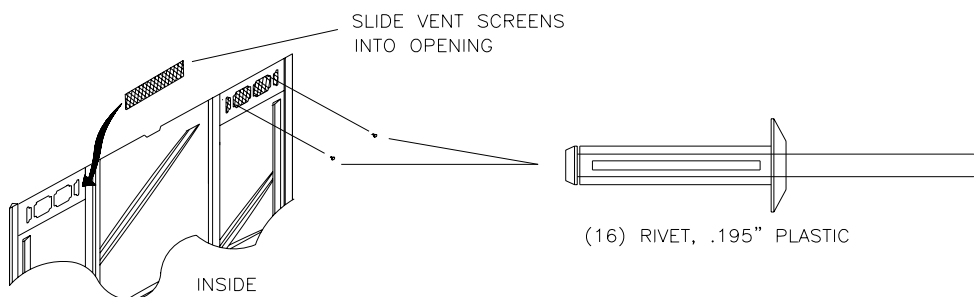
INSTALL ▲ SCREW FIRST TO USE AS A STOP FOR THE VENT PIPE, SLIDE VENT PIPE DOWN TO ▲ SCREW AND INSTALL REMAINING SCREWS.



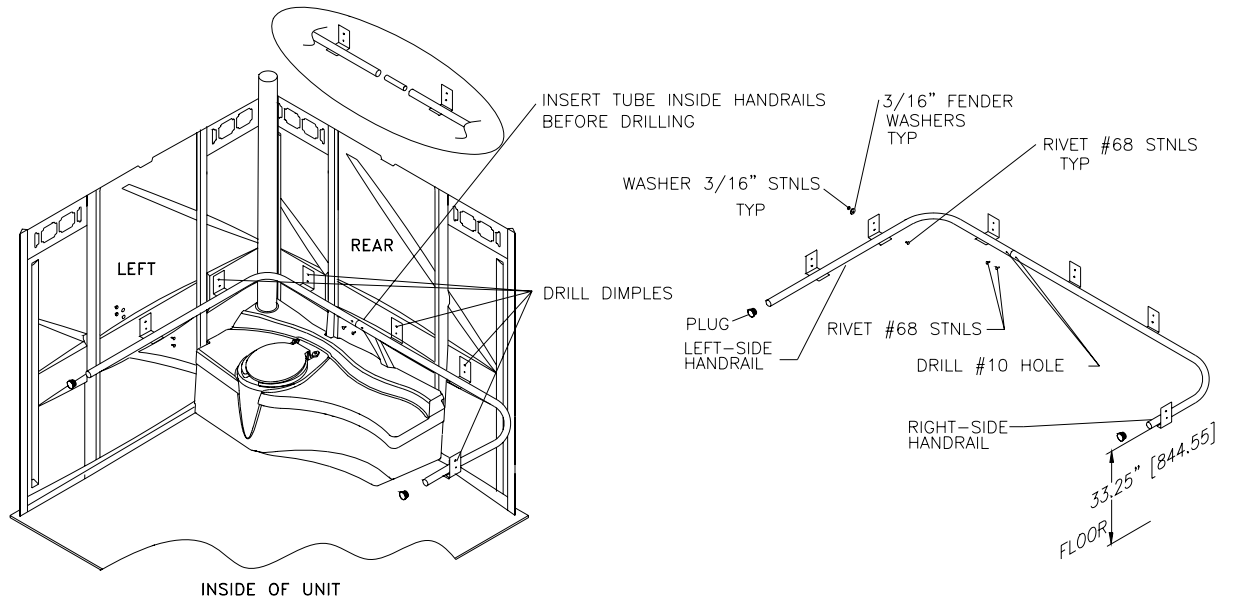
13. INSTALL TOILET SEAT.



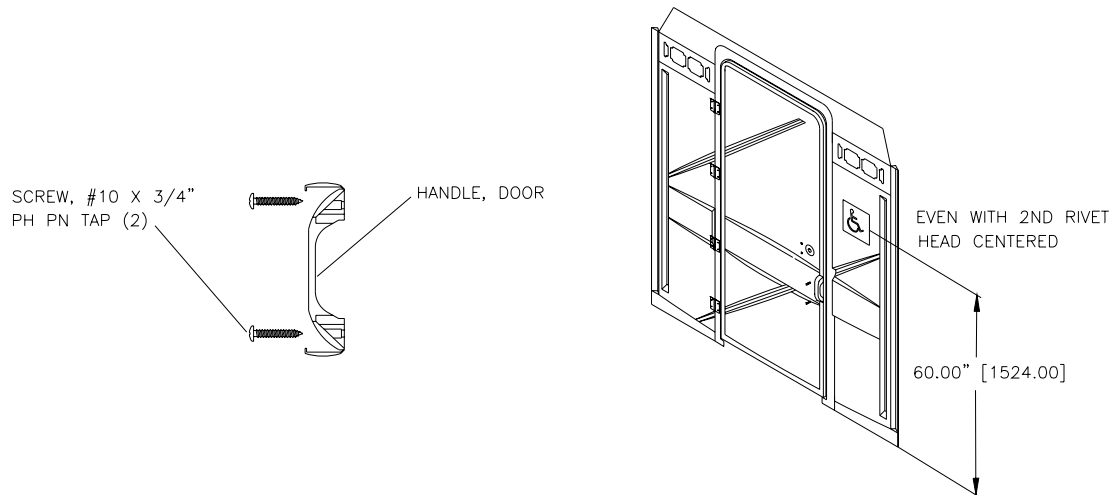
14. INSTALL VENT SCREENS. Drill thru the panel using a 1/4" drill bit.



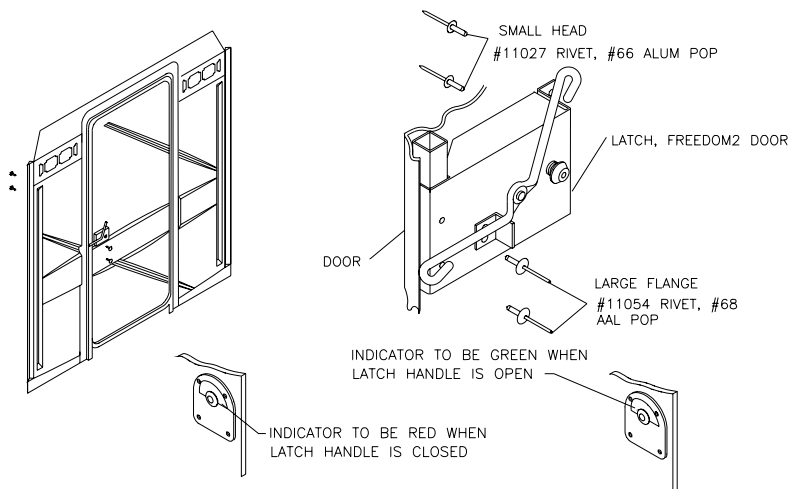
15. INSTALL HANDRAILS.



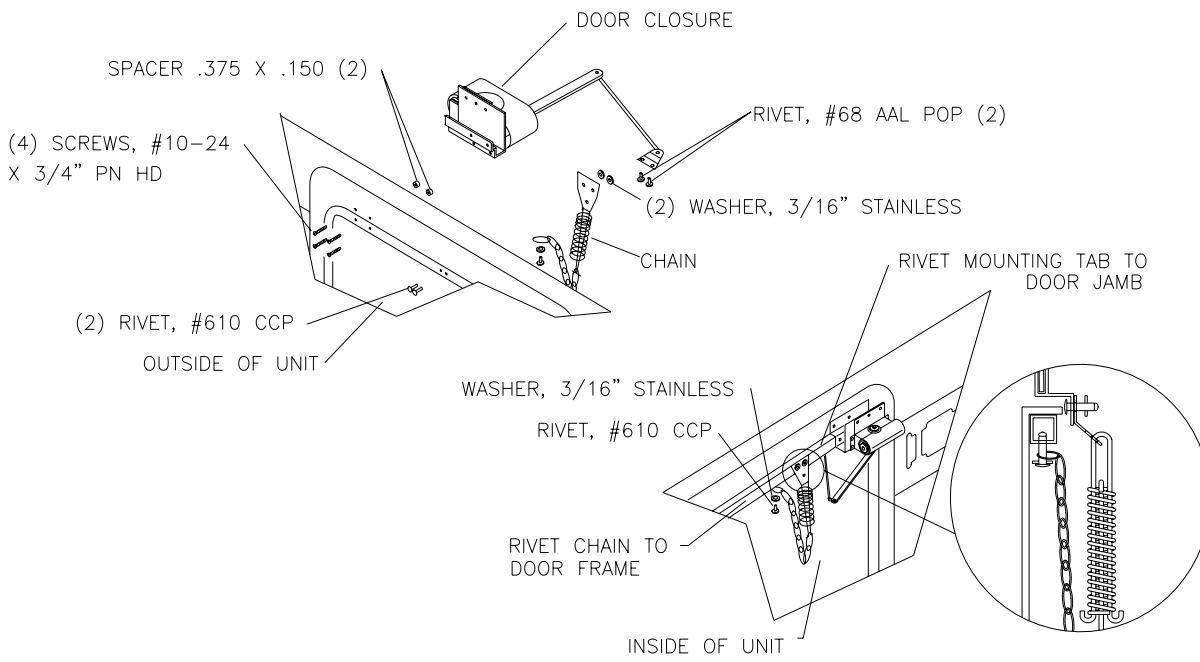
16. INSTALL HANDLE AND DECAL



17. INSTALL DOOR LATCH

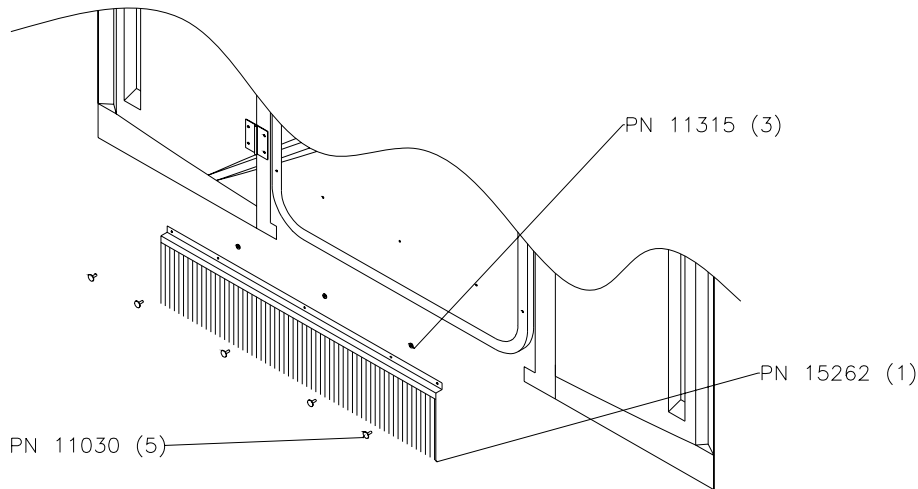


18. INSTALL DOOR CLOSURE



19. OPTIONAL DOOR SWEEP.

Center the door sweep on the door, keeping the door sweep about 1/2" from the floor. Transfer drill the holes through the door using a #10 drill bit.



20. PAPERGUARD. Drill four 1/4" holes at dimples on left side panel, using (4) rivets and (4) push caps.

