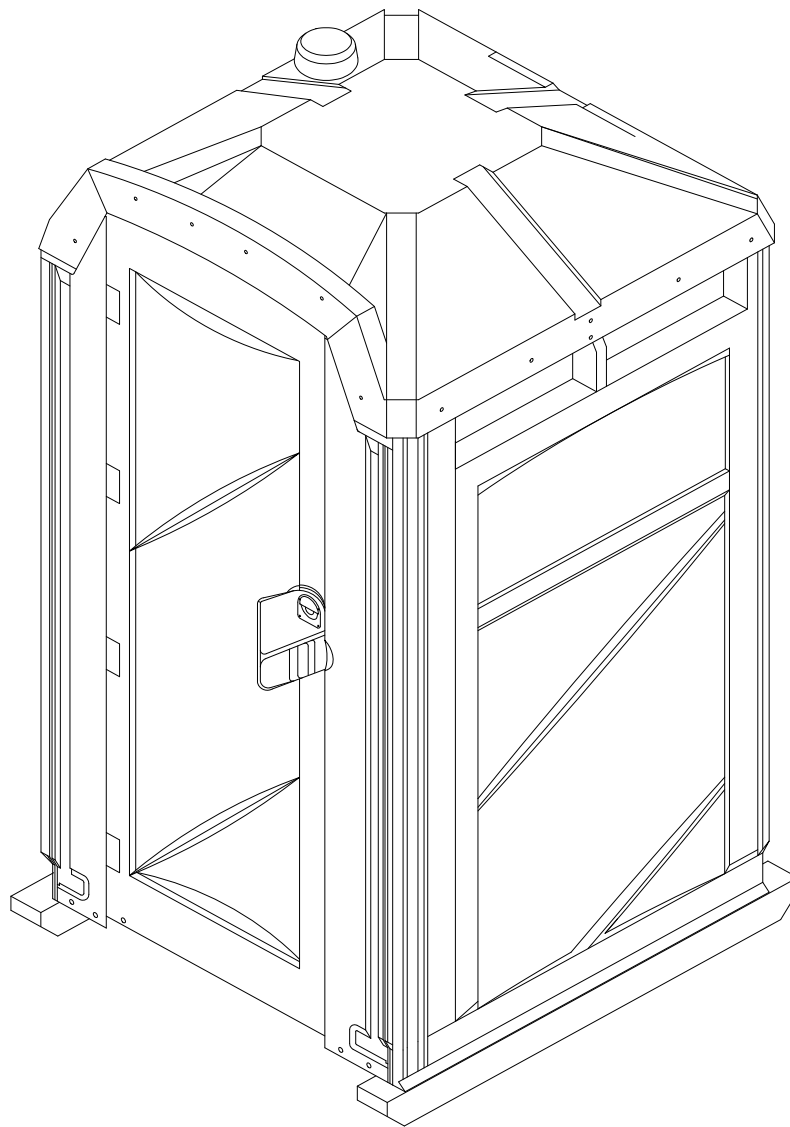


MAXIM 2000 II™ PORTABLE RESTROOM ASSEMBLY INSTRUCTIONS



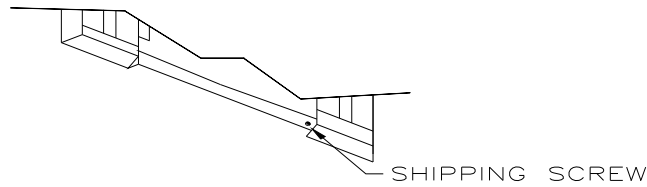
SATELLITE INDUSTRIES, INC.

2530 Xenium Lane North, Minneapolis, MN 55441
Telephone: 763-553-1900 Fax: 763-553-1905
800-328-3332 / www.satelliteindustries.com

INTRODUCTION

Satellite portable restrooms must be assembled according to approved assembly procedures. Avoid variations in assembly procedures which could adversely affect product life and warranty.

IMPORTANT: Do not remove shipping screw from door until instructed to in the “Install the Front Assembly” step.



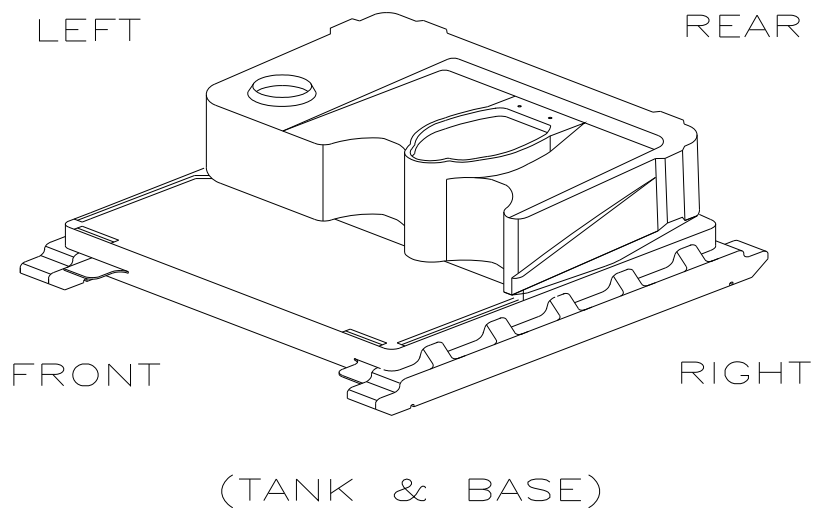
- The assembly procedures are written for assembly of single units. If assembling multiple units, considerable efficiency can be gained by having a crew working in assembly line fashion.

TOOLS:

1. 3/8” HEX SOCKET
2. #10 (3/16”) DRILL BIT
3. 1/4 DRILL BIT
4. POP RIVET GUN
5. #2 PHILLIPS SCREWDRIVER
6. FLAT SCREWDRIVER

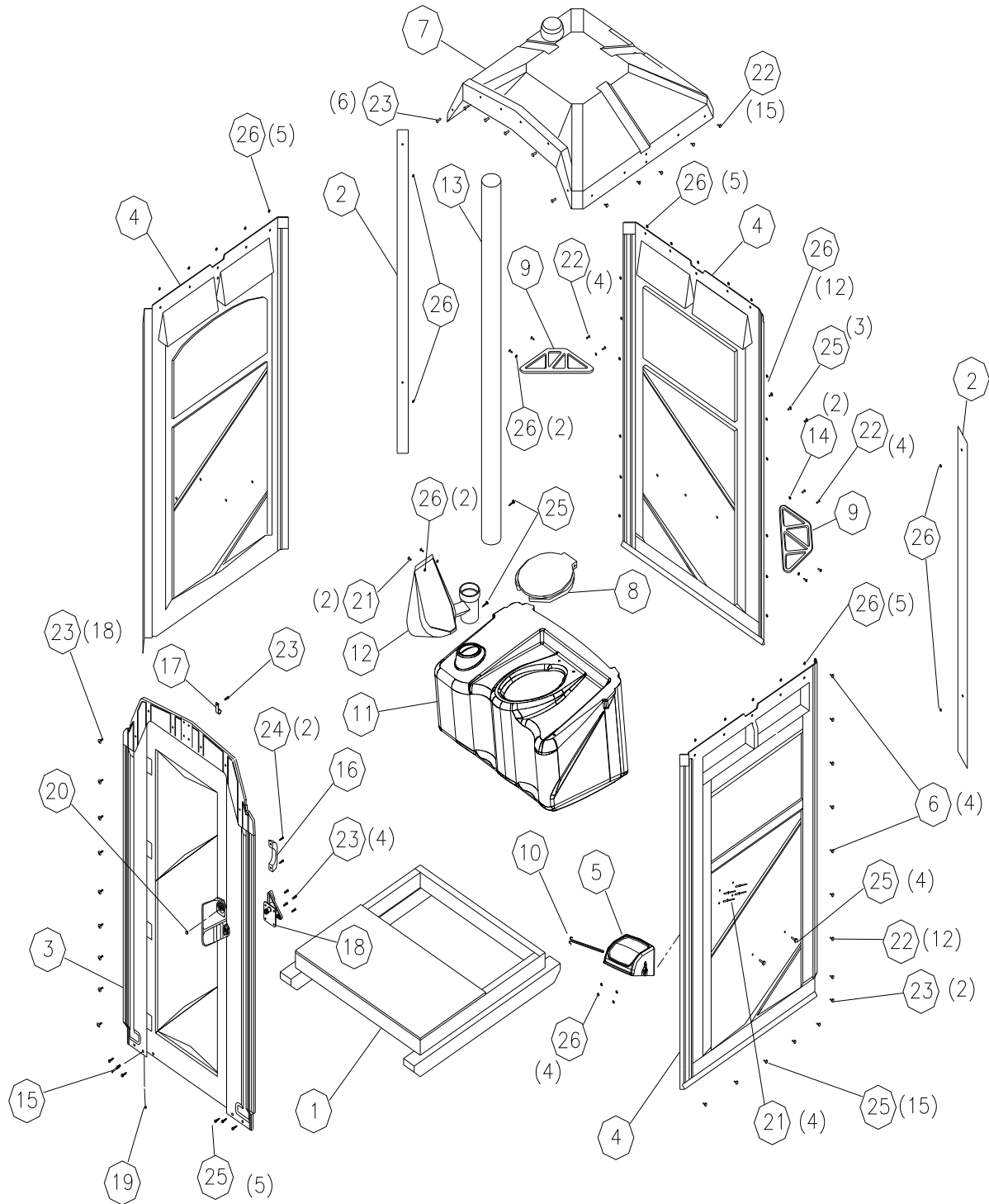
HELPFUL HINTS:

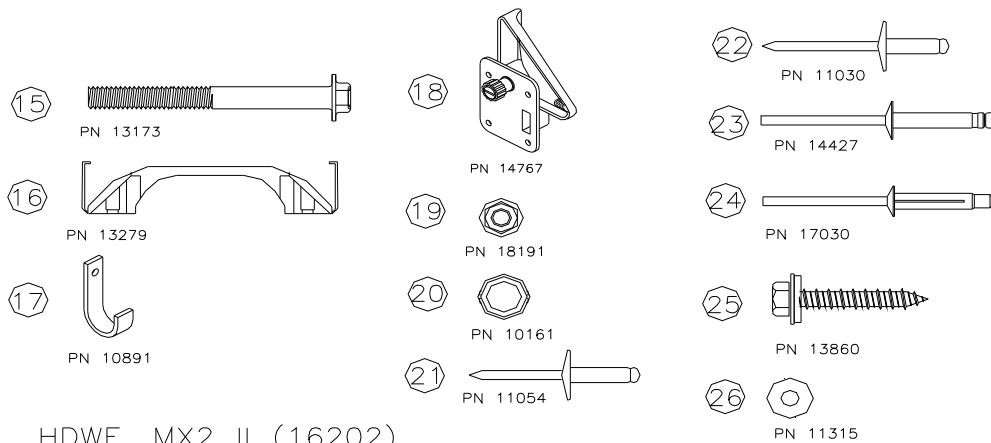
- Keep panels out of direct sunlight
- Have an apron with at least two large pockets, easy to get parts out of
- Don’t open up all your kit boxes. Open up only enough kit boxes to assemble the number of toilets you are currently working on. **KEEP PARTS ORGANIZED.**
- Use toilet paper holders for parts bins on multiple unit assembly
The door latch can be put on at any time. It may be more efficient to have someone do this early on multiple unit assembly.



All references to left, right, front and rear correspond to this illustration.

MAXIM 2000 II™ EXPLODED DRAWING





HDWE, MX2 II (16202)

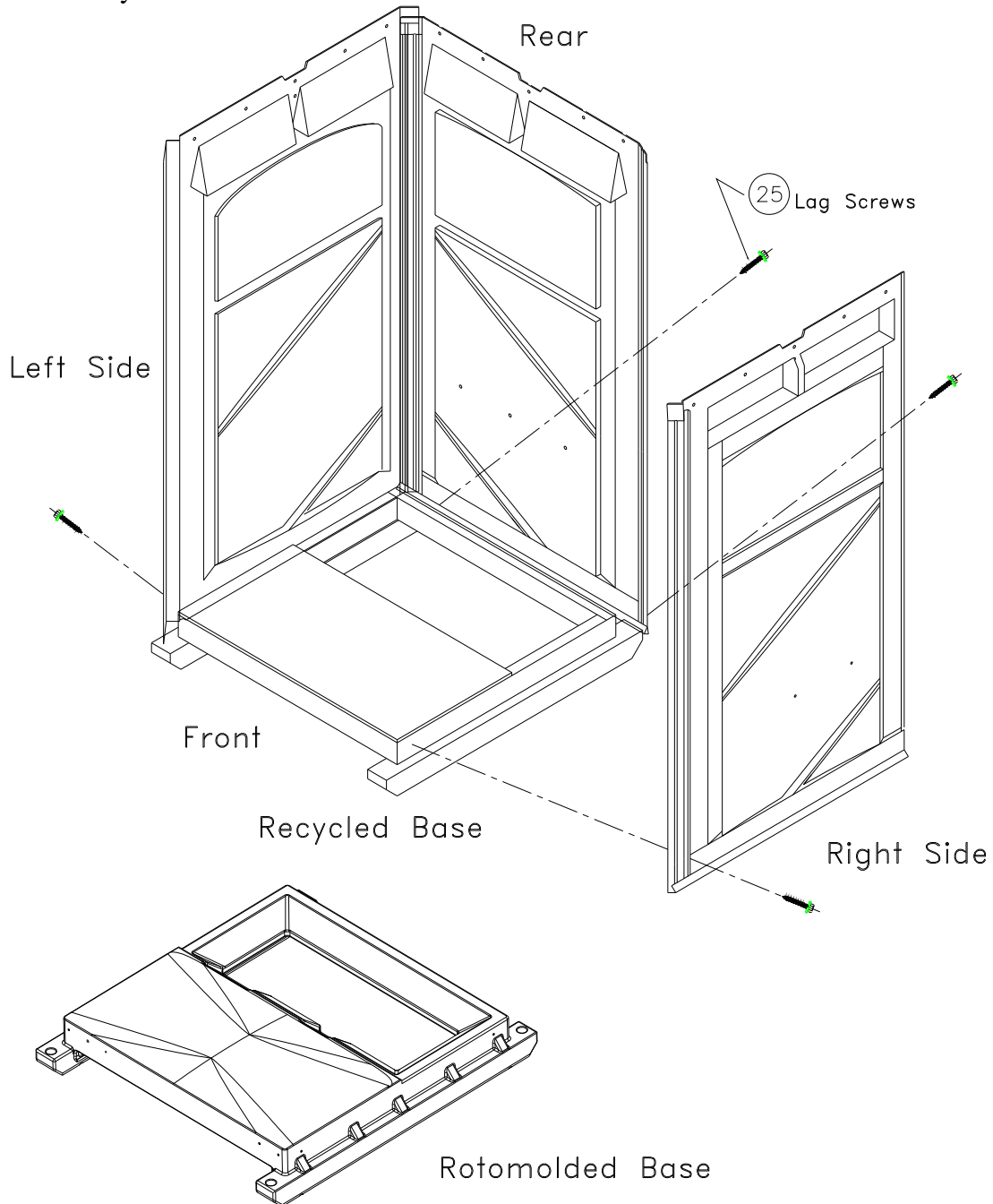
26	11315	39	WASHER, 3/16 RIVET STNLS
25	13860	29	SCREW, #14 X 1-1/2 W/WSH GOLD
24	17030	2	RIVET, AVDEL BLACK
23	14427	31	RIVET, #66 LSH W/LOCK MANDREL
22	11030	35	RIVET, #66 AAL POP
21	11054	6	RIVET, #68 AAL POP
20	10161	1	PLUG, 1/2 INDICATOR BLACK PLST
19	18191	1	NUT, 5/16 SERRATED FLANGE
18	14767	1	LATCH, RESTROOM PLASTIC
17	10891	1	HOOK, FLAT COAT
16	13279	1	HANDLE, DOOR
15	13173	1	BOLT, 5/16 X 3in HWHD

MX2 II RECYCLED/ROTOMOLD BASE

14	11315	2	WASHER, 3/16 RIVET STNLS
13	14133	1	VENT PIPE, 4 X 62-1/2 GREY
12	14119	1	URINAL, STANDOVER DGRY
11	14765	1	TANK, HOVER GREY
10	16844	1	SPINDLE, PAPERGUARD II
9	16075	2	SHELF, MX2 & TUFWAY
8	14959	1	SEAT, ELONGATED BLACK
7	16167	1	ROOF, MX2 II
6	18798	4	RIVET, #616 AAL POP
5	17082	1	HOOD, PAPERGUARD II GREY
	16202	1	HDWE, MX2 II
4		3	DESIGN, MX2 II PANEL
3		1	DESIGN, MX2 II FRONT
2		2	DESIGN, CORNER COVER BLANK
1	15852	1	BASE, 4X4 RECYCLED PLASTIC
	19014	1	BASE, TUFWAY ROTOMOLDED

1. Install Panels to Base:

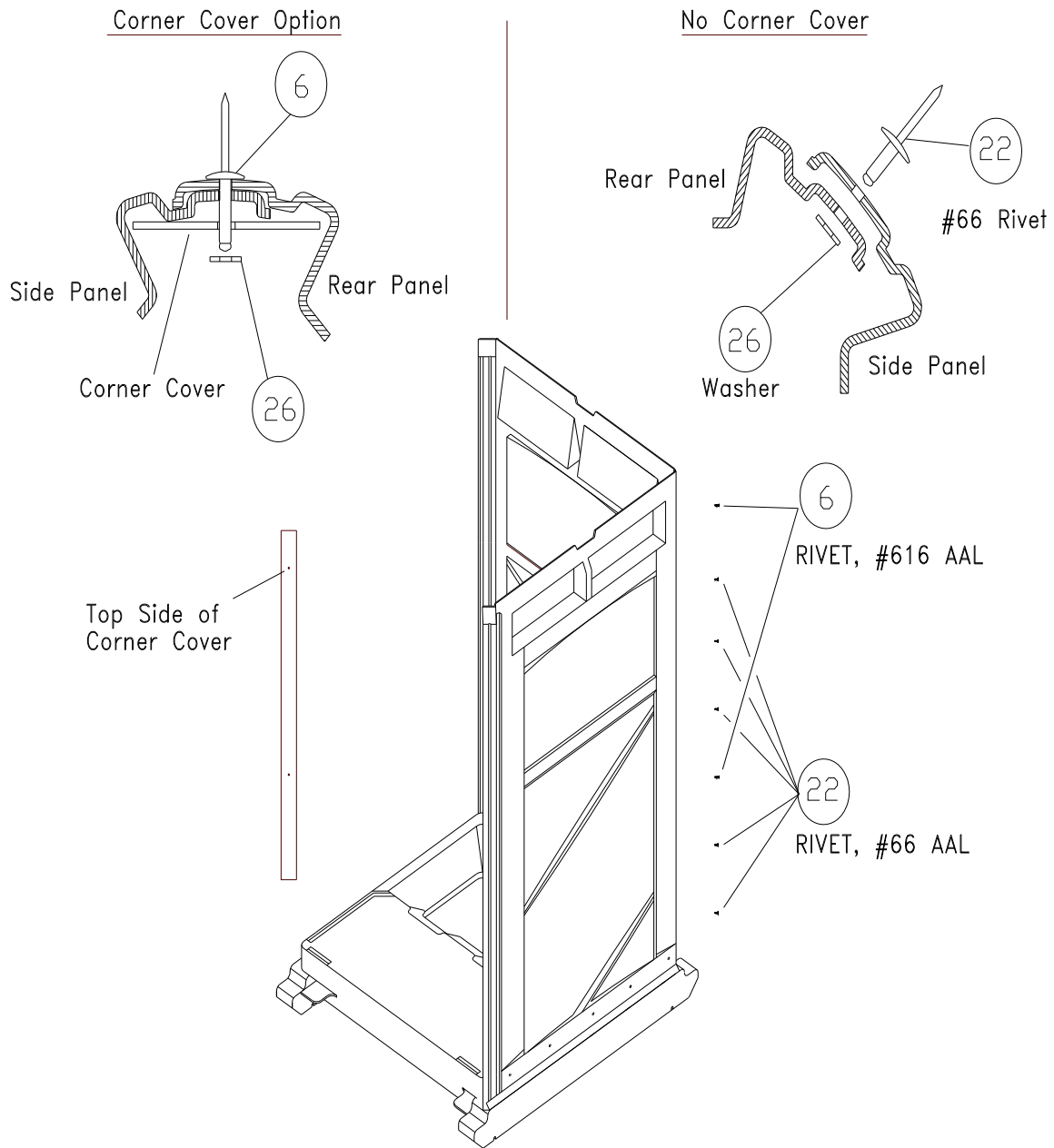
- *Attach corners of panels using (2) screws. As shown. Make sure to use dimple in recycled base and cored hole in Rotomold base.
- *Repeat same process on rear panel.
- *Tighten screws until rubber washer begins to flatten. **DO NOT OVER TIGHTEN.**
- ***Helpful Tip:** Fasten one of the screws in one of the side and rear panel holes to hold the panels together while you finish other side.



2. Fasten Rear Panel and Side Panels:

*Using #66 rivets and back up washers rivet the side and rear panel together. **NOTE:** If using corner covers do not use the top hole and 5TH hole at this time.

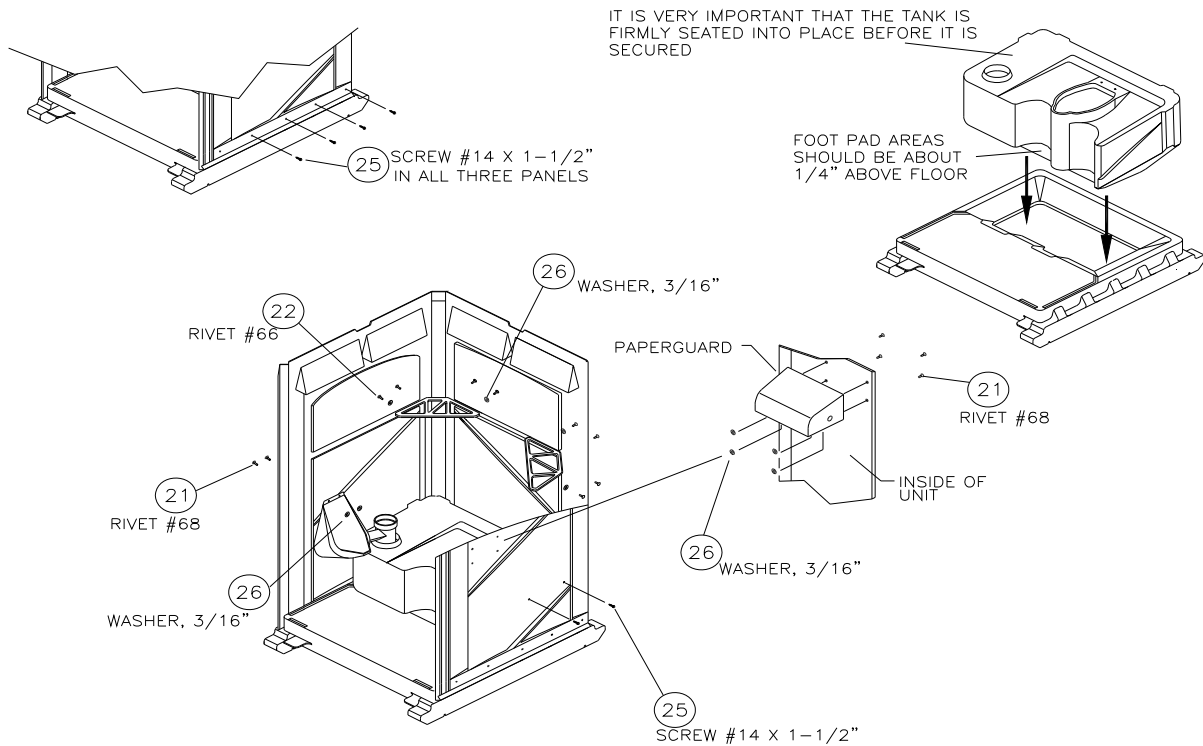
*If installing corner covers use #616 rivets and back up washers in the top hole and 5th hole. As shown.



FINISH FASTENING PANELS TO BASE THRU DIMPLES WITH #14 X 1 1/2" LAG SCREWS. SECURE TANK IN BASE AND APPLY FORCE TO KEEP IT IN PLACE, FASTEN WITH #14 X 1-1/2" LAG SCREWS IN DIMPLES, 2 IN LEFT AND RIGHT PANEL, AND 3 ACROSS THE BACK PANEL.

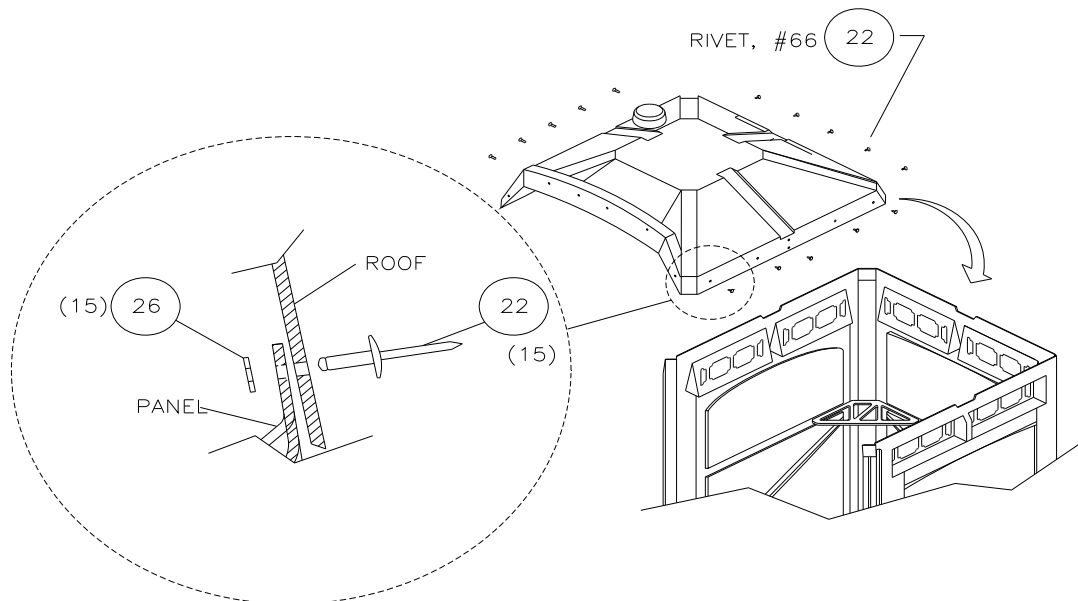
5. Fasten Shelf, Urinal and Paperguard:

DRILL OUT DIMPLES IN PANEL. FASTEN TO PANEL USING LARGE FLANGE RIVETS AND BACK-UP WASHERS.



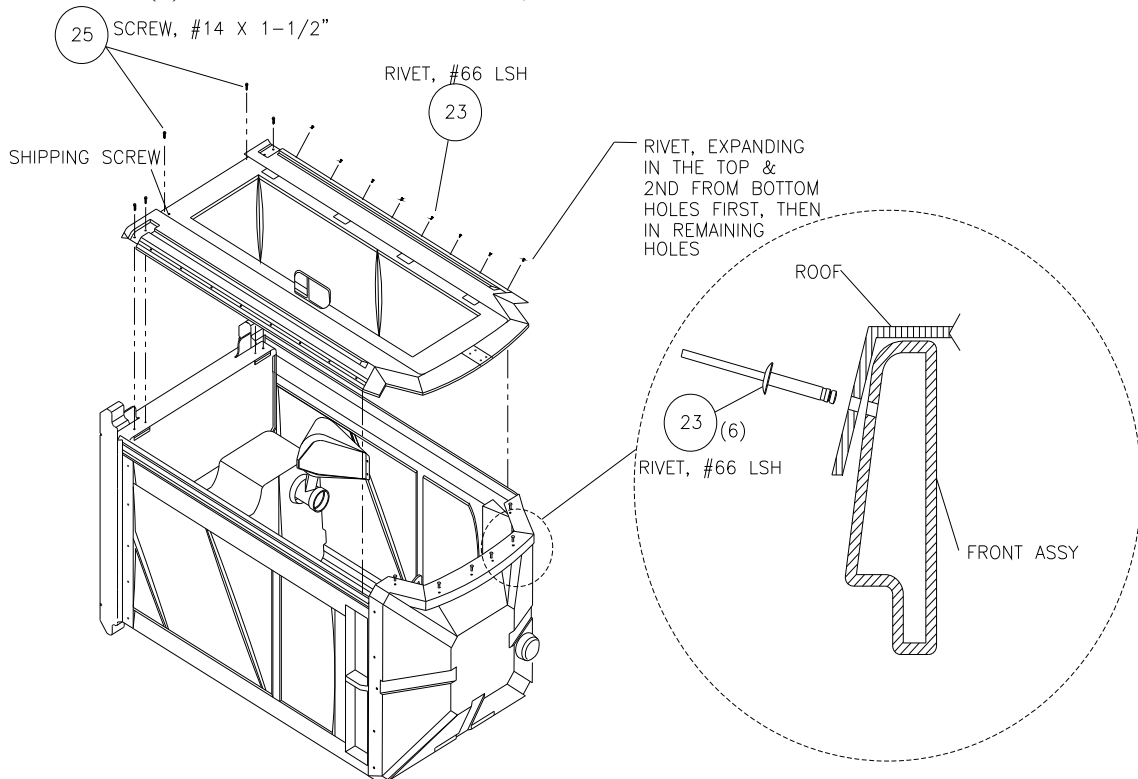
6. Fasten Roof:

ATTACH TO PANELS USING #66 LARGE FLANGE RIVETS AND BACK-UP WASHERS.



7. Fasten Front Assy to Panels and Roof: (Lay Unit on its Back)

PLACE FRONT INTO POSITION AND RIVET PANELS TO FRONT USING EXPANDING RIVETS. DO NOT RIVET THE FRONT TO THE PANELS IN THE BOTTOM HOLE ON EACH SIDE UNTIL STEP 9. FASTEN ROOF TO FRONT USING LARGE FLANGE EXPANDING RIVETS IN THE (2) CENTER HOLES FIRST, THEN THE REMAINING FOUR.

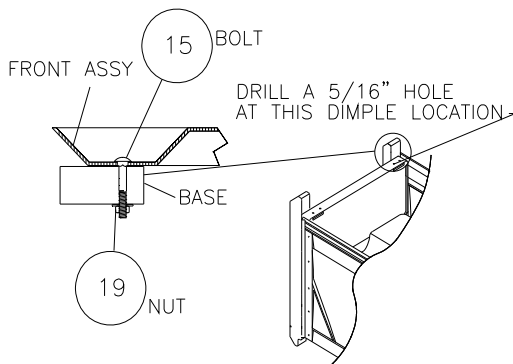


8. Lag Front to Base and Remove Shipping Screw:

WHEN USING BLOW MOLDED BASE USE ITEM #24 BOLT 1/4" X 1-1/2" PINCH GOLD IN PLACE OF THE SCREW #14 X 1-1/2".

A. RECYCLED BASE

USING 5/16" DRILL BIT, 3/8" NUT DRIVER, DRILL, AND 1/2" SOCKET

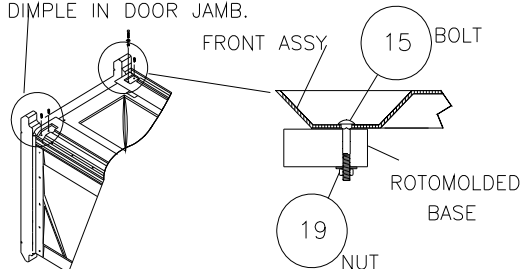


B. ROTOMOLDED BASE (GREY)

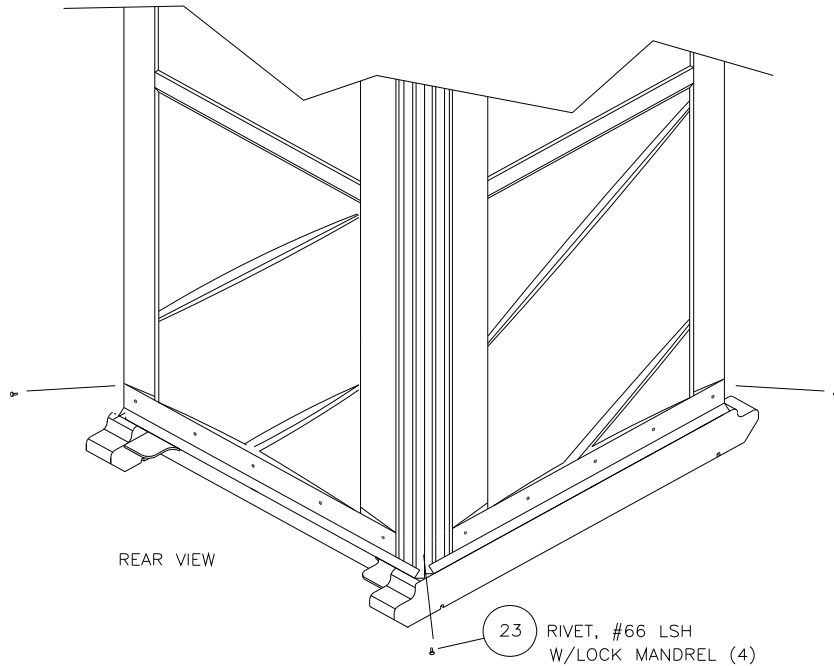
USING 5/16" & 13/32" DRILL BIT, 3/8" NUT DRIVER, DRILL, AND 1/2" RATCHETING BOXEND WRENCH.

INSTALL FRONT (2) RIVETS BEFORE SECURING FRONT TO THE BASE (ROTOMOLDED BASE)
ON THE LEFT SIDE ENLARGE 2ND HOLE FORM THE EDGE WITH 5/16" DRILL BIT AND INSTALL THE CARRIAGE BOLT. ENLARGE REMAINING HOLES IN BOTTOM OF FRONT WITH 13/32" DRILL BIT.

ON THE RIGHT, ENLARGE (2) HOLES THRU FRONT WITH 13/32" DRILL BIT INSTALL LAG SCREWS INTO CORED HOLES IN BASE. REMOVE SHIPPING SCREW, INSTALL (2) LAG SCREWS AT DIMPLE IN DOOR JAMB.



9. Rivet Panel and Front Bottom Holes Together.



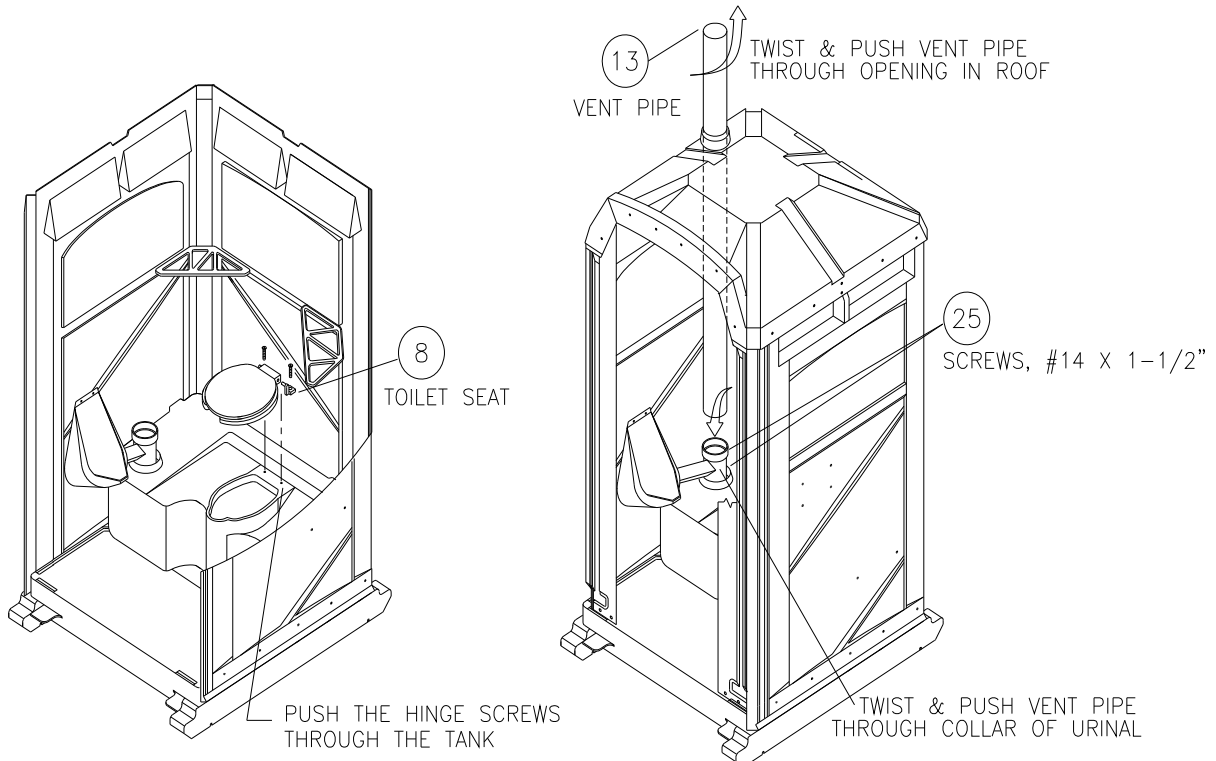
***NOTE; IF UNIT IS ASSEMBLED WITH WOOD OR RECYCLED BASE, DRILL A 1/4" DIAMETER x 1/2" DEEP RELIEF HOLE INTO BASE USING THE LOWER HOLE IN THE PANEL AS A GUIDE.**

10. Install Vent Pipe:

PUSH VENT PIPE UP THRU ROOF, TURNING FOR EASIER ASSEMBLY, PULL DOWN INTO URINAL. FASTEN IN WITH 2 #14 X 1-1/2" LAG SCREWS INTO DIMPLES.

11. Install Toilet Seat:

OPEN CAPS INSTALL PLASTIC STUDS INSTALL THRU TANK HOLES AND REACH THRU TANK HOLE AND THREAD PLASTIC NUT ON STUD FROM INSIDE THE TANK.



12. Install Door Latch:

TURN INDICATOR TO IN USE (RED) AND LATCH UPRIGHT TO CLOSE POSITION. INSERT STUD INTO DOOR. USE #66 LSH RIVET.

13. Coat Hook:

USE #66 LSH RIVET

14. Install Door Handle:

INSTALL 2 AVDEL BLACK RIVETS.

