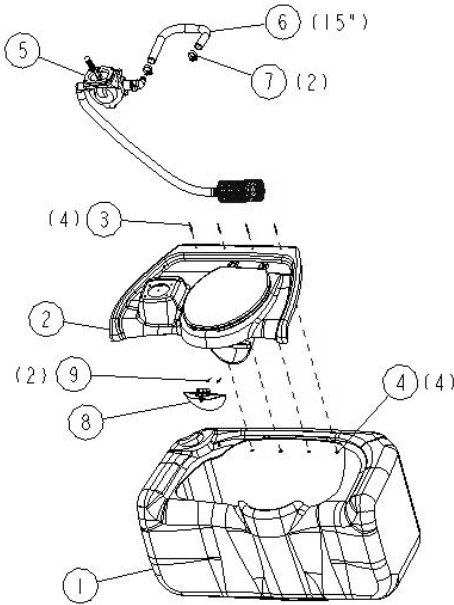


# MAXIM 3000 II HAND FLUSH FLIPTOP INSTRUCTIONS

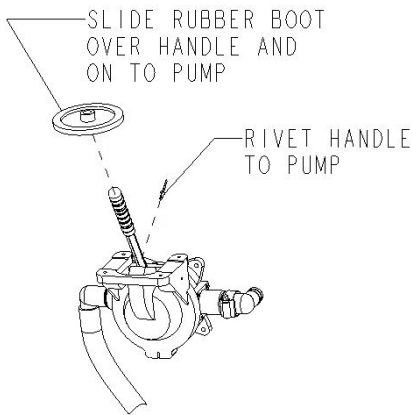
**INTRODUCTION:** Satellite portable restrooms and accessories must be assembled according to approved assembly procedures. Avoid variations in assembly procedures, which could adversely affect product life and warranty.



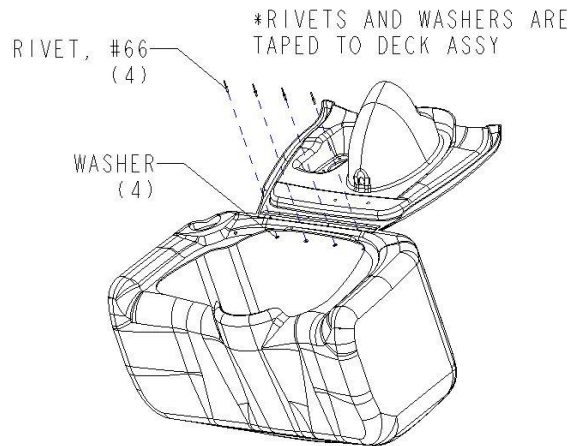
9	22321	2	RIVET- #54 STNLS (PACKED WITH ITEM 8)
8	22315	1	KIT- FLAPPER MX3 II FLIPTOP
^OPTIONAL ITEMS^			
7	12588	2	CLAMP- WORMDRIVE #12 (PACKED W/MAXIM 3000 II KNOCKDOWN CABANA PARTS)
6	14384	15"	HOSE- #44 FLEX (PACKED W/ITEM 5)
5	22318	1	PUMP ASSY- H/FLSH MX3 II
4	11315	4	WASHER- 3/16 RIVET STNLS (PACKED W/ITEM 2)
3	11027	4	RIVET- #66 ALUM (PACKED WITH ITEM 2)
2	22303	1	DECK ASSY- MX3 II H/FLSH FLIPT
1	22307	1	TANK- MX3 II H/FLUSH FLIPTOP
ITEM	P/N	QTY	DESCRIPTION

**TOOLS:** •Electric/Cordless Drill •Rivet Gun •Phillips Screw Driver or Driver Bit

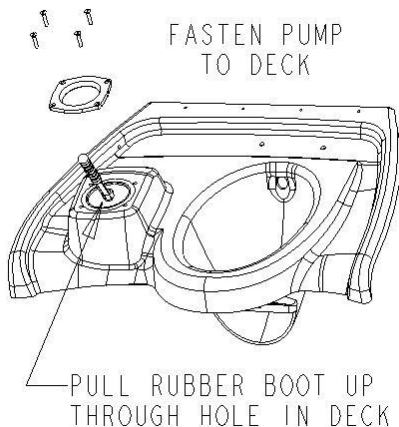
## 1. Fasten Pump Handle and Boot as Shown.



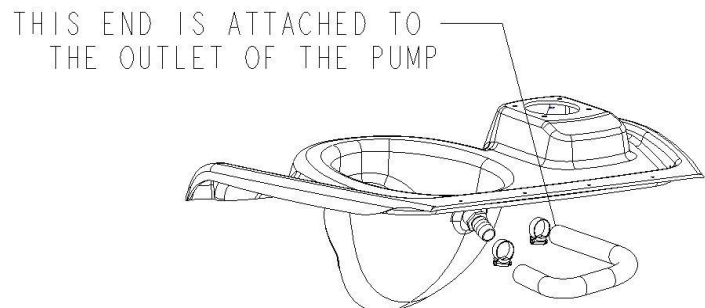
## 2. Fasten Deck Assembly to Tank as Shown.



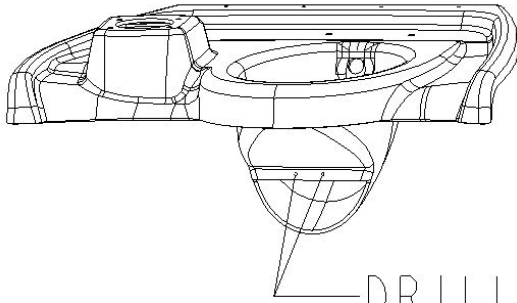
## 3. Fasten Pump to Deck as Shown.



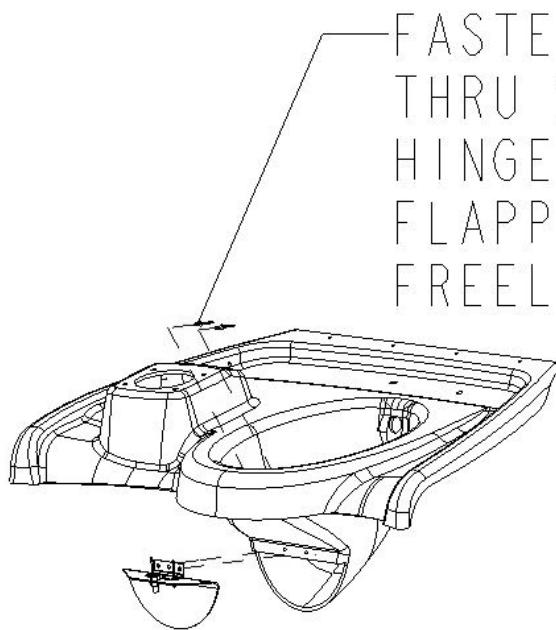
## 4. Fasten Hose to Straight Fitting and Pump as Shown.



**5. OPTIONAL – Install Flapper Kit (PN 22315) as Shown.**



DRILL  $\varnothing$ .177 THRU AT  
(2) DRILL POINTS



FASTEN (2) RIVETS  
THRU BOWL AND  
HINGE. ENSURE  
FLAPPER MOVES  
FREELY



2530 Xenium Lane North, Minneapolis, MN 55441  
Telephone: 763-553-1900 / Fax: 763-553-1905  
800-328-3332/ [www.satelliteindustries.com](http://www.satelliteindustries.com)