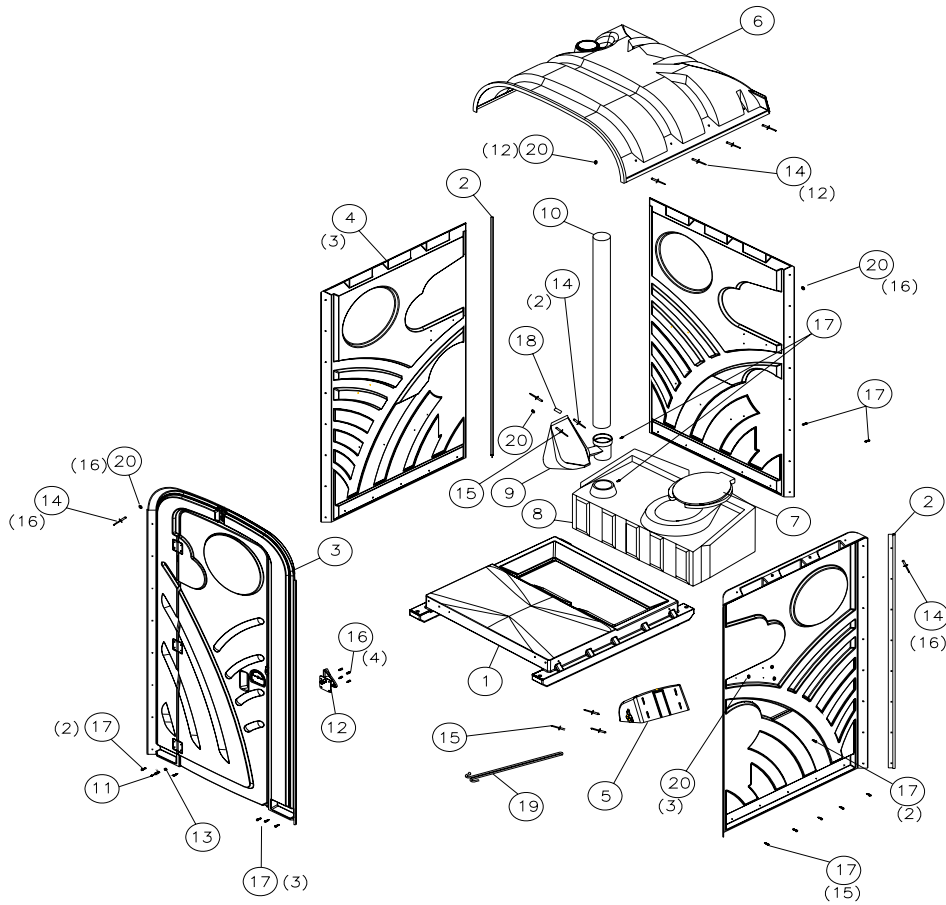


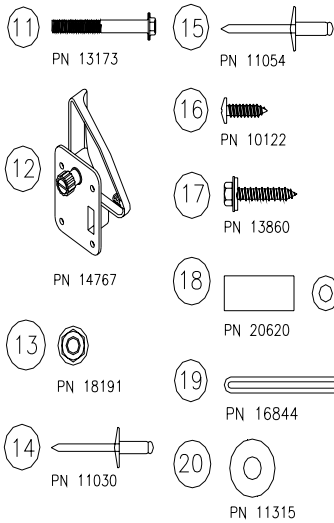
EXPLODED UNIT ASSEMBLY DRAWING (ROTOMOLDED BASE)



PARTS LIST

*HDWE, TM II 2/RL PGRD D/BUS BS (#20746)
HDWE, TM II (#20336)

*	20	11315	48	WASHER, 3/16 RIVET STNLS
*	19	16844	1	SPINDLE, PAPERGRD 2 ROLL METAL
*	18	20620	1	SPACER, TM II URINAL ALUM
*	17	13860	26	SCREW, #14 X 1-1/2 W/WSH GOLD
*	16	10122	4	SCREW, #10 X 3/4 PHPN TAP PLTD
*	15	11054	4	RIVET, #68 AAL POP
*	14	11030	46	RIVET, #66 AAL POP
*	13	18191	1	NUT, 5/16 SERRATED FLANGE
*	12	14767	1	LATCH, RESTROOM PLASTIC
*	11	13173	1	BOLT, 5/16 X 3in HWHD



THAL MONDO II BOM

10	14133	1	VENT PIPE, 4 X 62-1/2 GREY (WITH/URINAL)
	11946	1	VENT PIPE, 4 X 68 GREY (WITHOUT/URINAL)
9	14119	1	URINAL, STANDOVER DGRY
8	14968	1	TANK PKG, TUFWAY SWISH GREY
	10553	1	TANK, TUFWAY DGRY
7	14959	1	SEAT, ELONG MX2/MX3/TRS/HT/TM (FOR SWISH TANK)
	10570	1	SEAT, TOILET TUF/FRE/LIB/TM BLK (FOR REGULAR TANK)
6	20337	1	ROOF, TM II WHITE
5	17082	1	HOOD, PAPERGUARD 2 ROLL GREY
4	20341	3	DESIGN, TM II PANEL
	20336	1	HDWE, TM II
3	20333	1	FRONT ASSY, TM II DGRY
2	16050	2	CORNER MOLDING II, BLACK PUNCH
1	19014	1	BASE, TUFWAY ROTOMOLDED