



'23 PARTS



SATELLITE INDUSTRIES

MANUFACTURER AND SUPPLIER OF PRODUCTS
TO THE PORTABLE SANITATION INDUSTRY



restrooms



sinks



deodorizers



HELPFUL PARTS ORDERING TIPS

ORDERING TIPS

- Consolidate parts orders to save you time and reduce overall shipping costs.
- Maintain a limited stock of “emergency” type parts to eliminate down time and air shipment expense. A sample of recommended parts:
 - Truck Part: Vacuum pump belt and pump repair kit
 - Accessory Part: Whale Pump Repair Kit (sink part)
 - Restroom Part: Toilet Seat Hardware Kit
 - Deodorizer: 1 Container of Tank Deodorizer & Fragrance Spray in reserve

RECEIVING TIPS

1. Let us know when you need your order to arrive.
2. Advise us if you prefer delivery appointments for your less than truckload shipments.
3. Count packages and check their condition prior to signing for the goods.
4. Make note on carrier paperwork regarding any shortage or damage.

ORDERING INFORMATION

Location	Phone	Email
Belgium	+32 2 542 56 56	info@satelliteindustries.com
Germany	+49 2065 54544 0	
The Netherlands	+31 321 725190	
Italy	+39 392 152 8820	
Poland	+48 692 492 746	
UK	+44 1530 515216	

Customer Service Hours EMEA region: 9:00 – 5:00 pm (Central European Time)

SECTION 1 - PORTABLE TOILETS

Tufway®	6
Tufway® Shower	16
Mondo I	18
Mondo II	22
Mains Connect	28
Axxis	30
Global™ II	32
Aspen/Glacier	36
Vantage	38
Maxim 2000 II™	40
Maxim 3000™	44
Maxim 3000 II™	51
Highrise™	56
HighTech 1	64
Liberty™	68
Freedom 2	72
FREEDOM 2 SRO	76
Freedom 4	78
Fresh Start Shower	82
Urinal Stands - 4MEN / URICLEAN	86
Additional Restroom Parts	88

SECTION 2 - KITS & EQUIPMENT

Dry lift kit	92
Kit Double Hook Plated Lift	93
Tufway and Mondo II - Hand Flush	94
Tufway and Mondo II - Foot Flush	97
Maxim 3000 II - Flip Top	99
Maxim 3000 II - Flip Top Hand Flush	100
Maxim 3000 II - Flip Top Foot Flush	101
Impact Base Foot Flush	102
Western Flush Kit	104
Recirculating Kits	105
Maxim 3000 - Flip Top Foot Flush	113
Maxim 3000 - Flip Top Hand Flush	114
Front Assembly Chart	115
Roof Chart	118
Hardware Charts	120
Door Closure Chart	121
Urinal Chart	122
Paperguard Chart	123

PARTS CATALOG

TABLE OF CONTENTS

Foot Pump Chart	124
Hand Pump Chart	126
Holding Tank	129
Decal Reference Chart	132
Additional Equipment and Accessories	138
SECTION 3 - HANDWASH, SANITIZERS & ACCESSORIES	
Breeze I™	148
Breeze II™	150
Tag2	152
Tag4	154
Wave II	158
Agwash	158
Slimmate	160
Slimmate Forearm	161
Maxim 3000 II Hand Wash	162
Maxim 3000 II Hand Wash Forearm	164
PRO- 12 / 22	166
Handistand	170
Towel, Soap & Sanitizer Dispensers	171
SECTION 4 - DEODORIZERS & CLEANERS	
Liquid - Non- Formaldahyde Based - Non Staining Dye	174
Portion Control	176
Fragrance Boosters	177
Cleaning Products	178
Accessories	179
Hand Care	180
CONTACTS	
	184

'21 PARTS & PRICE GUIDE



SECTION 1

RESTROOM PARTS

Standard Portable Restrooms

- Tufway®
- Mondo I
- Mondo II
- Mains connect
- Axxis
- Global™ II
- Aspen
- Vantage®
- Maxim 2000 II™
- Maxim 3000™
- Maxim 3000 II™

Specialty Restrooms

- Highrise™
- HighTech 1

Wheelchair Access

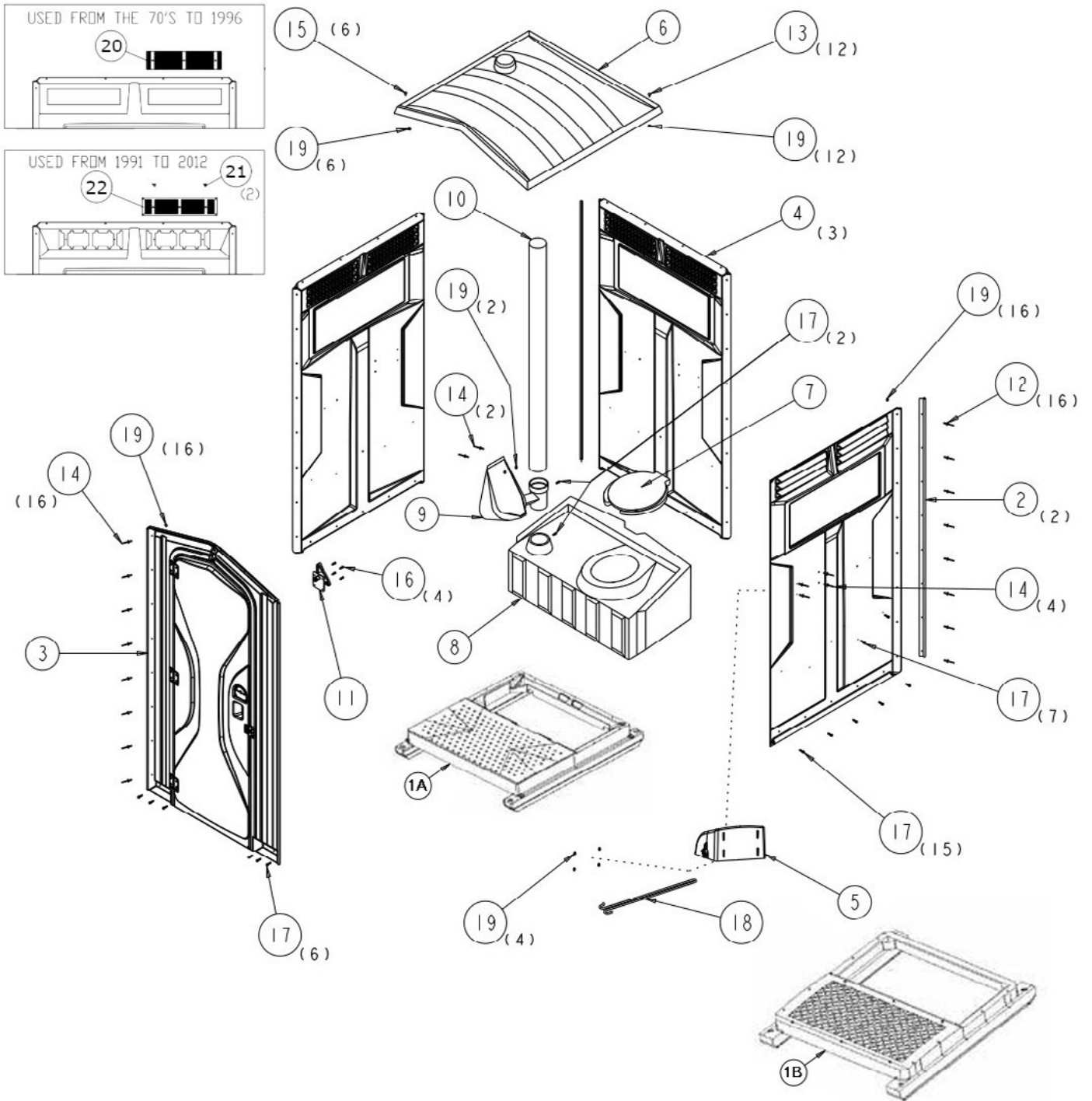
- Liberty™
- Freedom 2
- Freedom 4™

Additional Products

- Fresh Start Shower
- 4MEN Urinal Stand
- Uriclean Urinal Stand
- Removable/Freestanding tank



TUFWAY® MAJOR ASSEMBLY POP RIVET



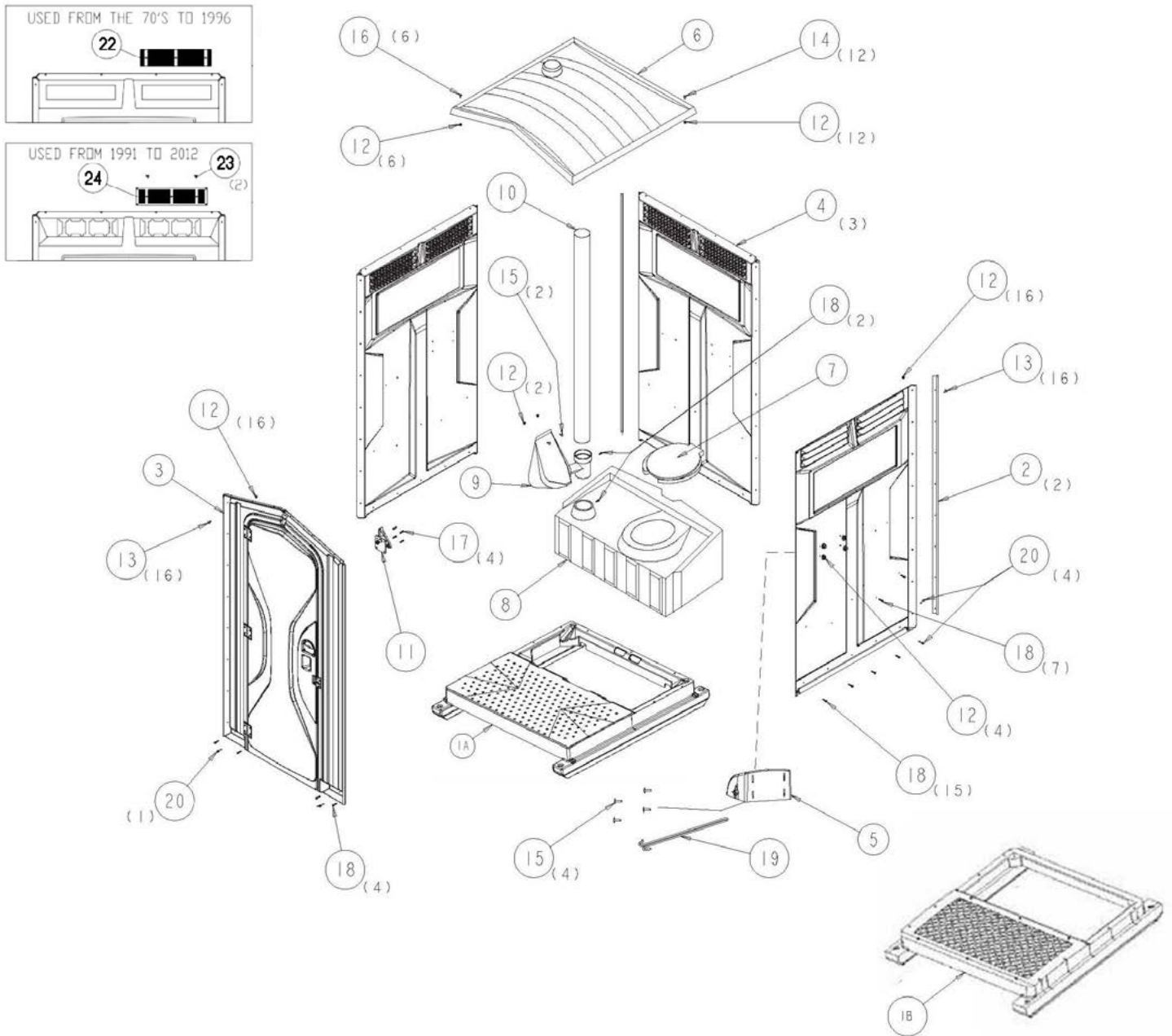
TUFWAY® COLOR CHART						
	SAND	AQUA	ROYAL BLUE	FOREST GREEN	DARK GREY	BROWN
FRONT PART # (NOT LATCH)	12728	13816	13936	14195	15765	10521
PANEL PART #	12614	12613	13938	14794	16643	
	RED	YELLOW	ORANGE	VIOLET	SKY BLUE	WILLOW GREEN
FRONT PART # (NOT LATCH)	19375	16546	14129	21759	*PANEL ONLY	*PANEL ONLY
PANEL PART #	19266	16542	14702	20701	12612	12611

TUFWAY® MAJOR ASSEMBLY POP RIVET

ITEM #	PART #	QPU	DESCRIPTION
1A	23169	1	BASE ASSY- IMPACT SOLID EU
1B	23168	1	BASE ASSY- IMPACT GRID EU
2	16050	2	CORNER MOLDING II- BLACK PUNCH
3	SEE CHART	1	FRONT ASSY- TUFWAY (NO LATCH)
4	SEE CHART	3	PANEL- TUFWAY
5	17082	1	HOOD-PAPERGUARD 2 ROLL
	22209	1	HOOD-PAPERGUARD 3 ROLL (OPTIONAL)
6	16045	1	ROOF- TUFWAY DOME
7	10570	1	SEAT- TOILET BLACK (INCLUDES HARDWARE - 10 PER CASE)
	14959	1	SEAT- ELONG MX2/M X3/TRS/HT/TM BLK (FOR SWISH TANK)
	10570	1	SEAT, TOILET TUF/FRE/LIB/TM BLK (FOR REGULAR TANK)
	19196	1	KIT- T/SEAT 2-1/2 BOLT/NUT SET
8	10553	1	TANK- TUFWAY DGRY
9	14119	1	URINAL - STANDOVER DGRY (USE WITH VENT PIPE 14133)
10	14133	1	VENT PIPE- 4 X 62-1/2 GREY (WITH URINAL)
	11946	1	VENT PIPE- 4 X 68 GREY (WITHOUT URINAL)
	22747	1	HDWE- TUFWAY 2 ROLL POP RIVET
	15567	1	HDWE- TUFWAY 2 ROLL PUSH CAP (OPTIONAL)
11	14767	1	LATCH- RESTROOM PLASTIC
12*	11030	16	RIVET- #66 AAL POP
13*	22737	12	RIVET- #66 POP WITH RUBBER WASHER
14*	11054	22	RIVET- #68 AAL POP
15*	22738	6	RIVET- #68 POP WITH RUBBER WASHER
16*	10122	4	SCREW- #10 X 3/4 PHPN TAP PLTD
17*	13860	30	SCREW- #14 X 1-1/2 WITH WSH GOLD
18*	16844	1	SPINDLE-PAPERGUARD 2 ROLL META
19	11315	56	WASHER- 3/16" RIVET STNLS
	22310	1	SPINDLE- PRGRD II 3 ROLL METAL (OPTIONAL)
	13173	1	BOLT, 5/16 X 3-1/2 HWHD (ROTO BASE ONLY)
	18191		NUT- 5/16 SERRATED FLANGE (ONLY USED ON ROTO BASES)
	10900	1	INSTRUCTIONS TUFWAY (SEE WEBSITE)
20	14311	6	SCREEN- 3 X 13 PLST VENT (PANELS UNTIL 1995)
21	15337	12	RIVET- .195" PLASTIC EXPANDING (PANELS FROM 1991 TO 2012)
22	14112	6	SCREEN- 3.8 X 15.25 PLST VENT (PANELS FROM 1991 TO 2012)

* For Tufway assembled with push caps, go to next page

TUFWAY® MAJOR ASSEMBLY PUSH CAP MOUNT



IMPACT BASE STANDARD - CALL FOR OTHER OPTIONS

TUFWAY® COLOR CHART						
	SAND	AQUA	ROYAL BLUE	FOREST GREEN	DARK GREY	BROWN
FRONT PART # (NOT LATCH)	12728	13816	13936	14195	15765	10521
PANEL PART #	12614	12613	13938	14794	16643	
	RED	YELLOW	ORANGE	VIOLET	SKY BLUE	WILLOW GREEN
FRONT PART # (NOT LATCH)	19375	16546	14129	21759		
PANEL PART #	19266	16542	14702	20701	12612	12611

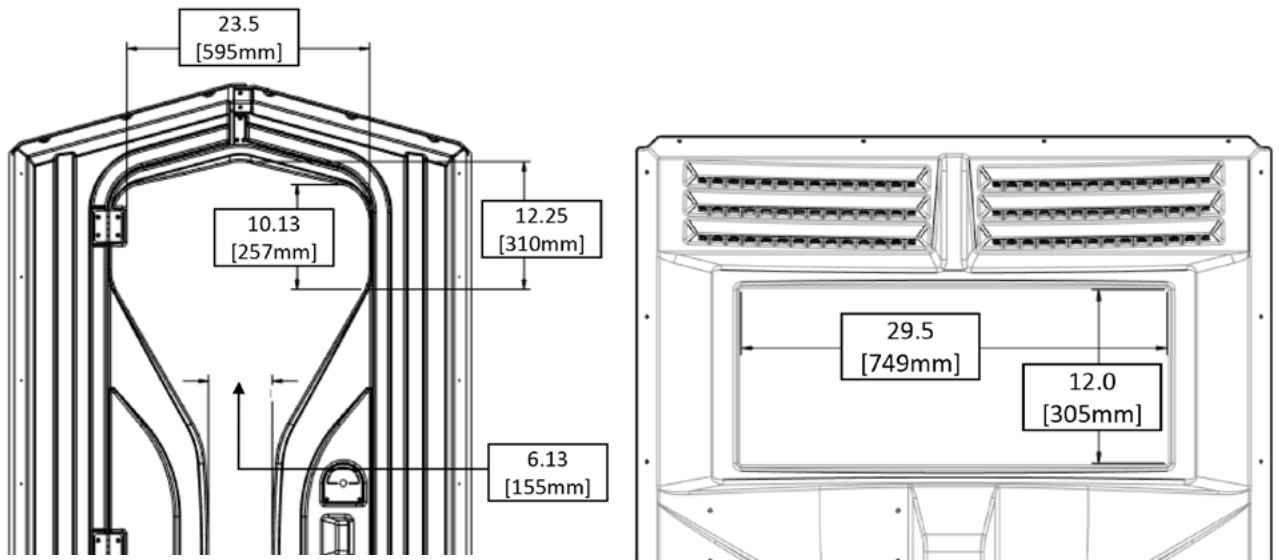
TUFWAY® MAJOR ASSEMBLY PUSH CAP MOUNT

ITEM #	PART #	QPU	DESCRIPTION
1A	23169	1	BASE ASSY- IMPACT SOLID EU
1B	23168	1	BASE ASSY- IMPACT GRID EU
2	16050	2	CORNER MOLDING II- BLACK PUNCH
3	SEE CHART	1	FRONT ASSY- TUFWAY (NO LATCH)
4	SEE CHART	3	PANEL- TUFWAY
5	17082	1	HOOD-PAPERGUARD 2 ROLL
	22209	1	HOOD-PAPERGUARD 3 ROLL (OPTIONAL) - FOR PAPERWARD CHARTS, SEE PAGE 127
6	16045	1	ROOF- TUFWAY DOME
7	10570	1	SEAT, TOILET TUF/FRE/LIB/TM BLK (INCLUDES HARDWARE - 10 PER CASE)
	14959	1	SEAT- ELONG MX2/M X3/TRS/HT/TM BLK (FOR SWISH TANK)
	19196	1	KIT- TOILET SEAT 2-1/2 BOLT/NUT SET
8	10553	1	TANK- TUFWAY DGRY
	14968	1	TANK PKG- TUFWAY/MONDO SWISH GREY (FOR DETAILS GO TO PAGE 93)
	21 149	1	TANK- TUFWAY HANDFLUSH FLIPTOP (FOR DETAILS GO TO PAGE 91)
	20935	1	TANK- TUFWAY FOOTFLUSH FLIPTOP (FOR DETAILS GO TO PAGE 94)
	22405		TANK PKG- TUFSWISH N/PUMP HOLE (FOR DETAILS GO TO PAGE 95)
9	14119	1	URINAL - STANDOVER DGRY (USE WITH VENT PIPE 14133)
10	14133	1	VENT PIPE- 4 X 62-1/2 GREY (WITH URINAL)
	11946	1	VENT PIPE- 4 X 68 GREY (WITHOUT URINAL)
11	14767	1	LATCH- RESTROOM PLASTIC
12*	10047	56	PUSH CAP, 3/16 ID * SOLD IN QTYS 100
13*	10629	32	RIVET - SOLID SHORT (FLAT)
14*	18721	12	RIVET - SOLID SHORT FLAT WITH WSHR
15*	10801	6	RIVET - SOLID LONG (DOME)
16*	18722	6	RIVET - SOLID LONG DOME WITH WSHR
17*	10122	4	SCREW - #10 X 3/4 PN PH TAP
18*	13860	30	SCREW - #14 X 1-1/2 WITH WSH GOLD
19	16844	1	SPINDLE-PAPERGUARD 2 ROLL METAL
	22310	1	SPINDLE- PRGRD II 3 ROLL METAL (OPTIONAL)
	10900	1	INSTRUCTIONS TUFWAY (SEE WEBSITE)
20	13173	1	BOLT, 5/16 X 3-1/2 HWHD (ROTO BASE ONLY)
21	18191	1	NUT- 5/16 SERRATED FLANGE (ONLY USED ON ROTO BASES)
22	14311	6	SCREEN- 3 X 13 PLST VENT (PANELS UNTIL 1995)
23	15337	12	RIVET- .195" PLASTIC EXPANDING (PANELS FROM 1991 TO 2012)
24	14112	6	SCREEN- 3.8 X 15.25 PLST VENT (PANELS FROM 1991 TO 2012)
	22762	1	HDWE- TUFWAY PUSH CAP ADD-ON
	15567	1	HDWE- TUFWAY 2 ROLL PUSH CAP (OPTIONAL)

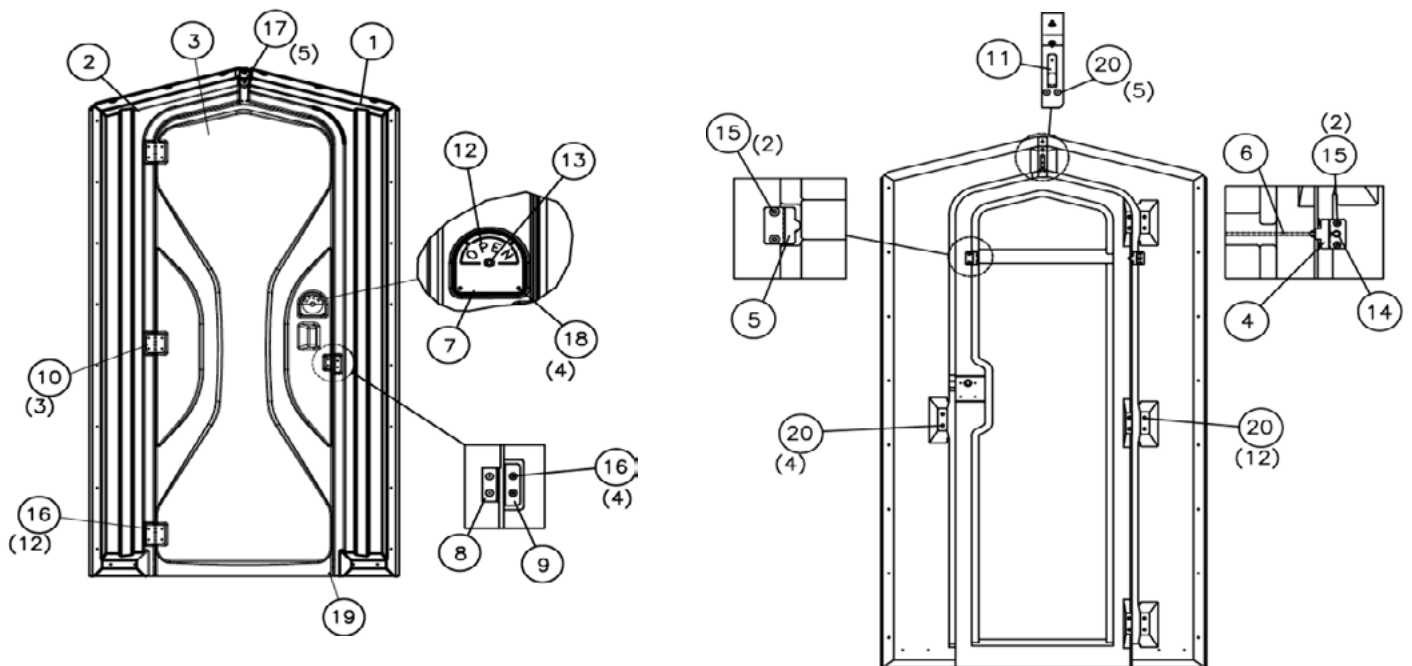
*Only sold in multiples of 100

For Paperguard Charts go to page 127

TUFWAY® LOGO AREAS



TUFWAY® FRONT ASSEMBLY



TUFWAY TOILET SPECIFICATIONS

HEIGHT: 88" (2235MM)

WIDTH: 44" (1118MM)

DEPTH: 48" (1219MM)

WEIGHT (IMPACT BASE): 170 LBS (77KG)

WEIGHT (IMPACT BASE WITH FLOOR): 178 LBS (81KG)

STANDARD TANK VOLUME: 70 GAL (265L)

FLOOR SPACE: 41"-21" (1041MM X 533MM)

SEAT HEIGHT: 18" (457MM)

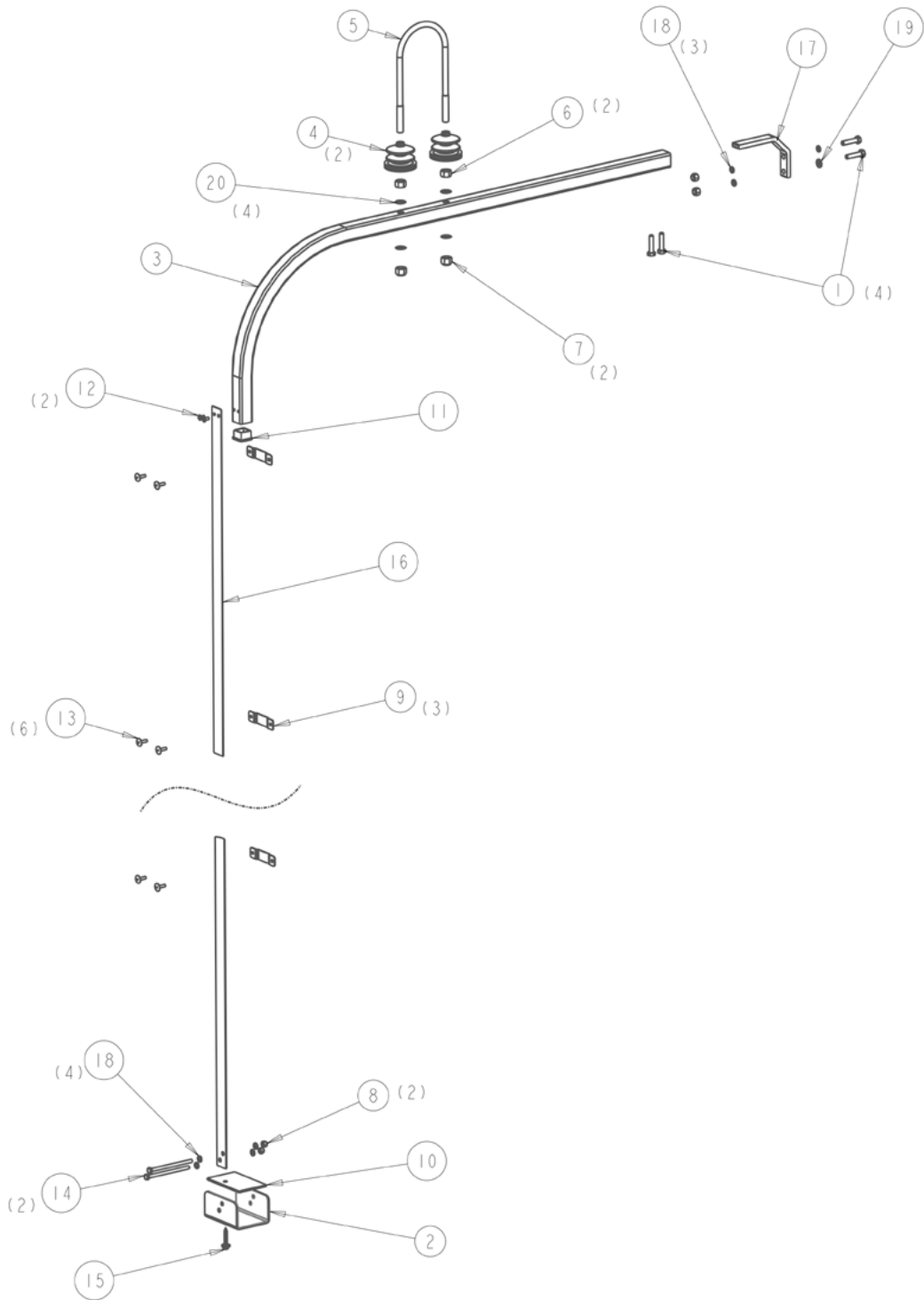
DOOR SPACING: 73" X 24" (1854MM) X 610MM)

TUFWAY® FRONT ASSEMBLY

ITEM #	PART #	QPU	DESCRIPTION
1		1	FACING- TUFWAY HASP
2		1	FACING- TUFWAY HINGE
3		1	DOOR- TUFWAY
	SEE CHART	1	FRONT ASSY- TUFWAY (NO LATCH)
4	10889	1	BRACKET- CABLE ANCHOR TUFWAY (JAM SIDE)
5	10511	1	BRACKET- SPRING ANCHOR TUFWAY (OUTER DOOR)
6	10888	1	CLOSURE ASSY- TUFWAY DOOR
	11954	1	KIT- TUFWAY SPRING CLOSURE RPL (INCLUDES SPRING & RIVETS)
7	13415	1	COVER- INDICATOR BLACK
8	13197	1	HASP- 3/16 RIVET HOLE DOOR
9	13199	1	HASP- 3/16 RIVET HOLE FACING (LONG)
10	13266	3	HINGE- DOOR STNLS ROUND CORNER
11	10891	1	HOOK- FLAT COAT STNLS (METAL)
12	15630	1	INDICATOR- UNIVERSAL
13*	10161	1	PLUG- 1/2 INDICATOR BLACK PLST
14	14803	1	PLUG- 3/8 HOLE
15*	12393	4	RIVET- #64 AAP POP
16*	11270	16	RIVET- #68 STNLS
17*	10812	5	RIVET- #612 ALUM
18*	10804	4	SCREW- #8 X 3/4 PHPN TAP
19*	12007	1	SCREW- #10 X 1-1/4 PN PH TAP
20*	11315	21	WASHER- 3/16 RIVET STNLS
	14198		KIT- LATCH & INDICATOR (TUFWAY- MAXIM 2000 & LIBERTY) CONTAINS:
	10122	4	SCREW, #10 X 3/4" PN PH TAP
	10804	4	SCREW, #8 X 3/4" TAP GOLD
	10161	1	PLUG, 1/2" ROUND BLACK PLASTIC
	14767	1	LATCH, RESTROOM PLASTIC
	15630	1	INDICATOR, UNIVERSAL
	13415	1	COVER, INDICATOR BLACK
	15391		KIT- PLASTIC DOOR LATCH (TUFWAY- MAXIM 2000 & LIBERTY) CONTAINS:
	10122	4	SCREW, #10 X 3/4" PN PH TAP
	14767	1	LATCH, RESTROOM PLASTIC
	13726		KIT- UNIVERSAL INDICATOR (TUFWAY- MAXIM 2000 & LIBERTY) CONTAINS:
	10804	4	SCREW, #8 X 3/4" TAP GOLD
	10161	1	PLUG, 1/2" ROUND BLACK PLASTIC
	15630	1	INDICATOR, UNIVERSAL
	13415	1	1 COVER, INDICATOR BLACK
	17372		KIT- TUFWAY HANDLE SCREW/NUT CONTAINS:
	11361	2	WASHER, 3/16" ID FENDER
	14985	2	SCREW, #10-24 X 5/8" STNL PHPN .
	13795	2	NUT, #10-24 ACORN HIGH LOCK SS
	18459	1	INSTRUCTION, HANDLE SCREW/NUT
	13279	1	HANDLE, DOOR

*Only sold in multiples of 100

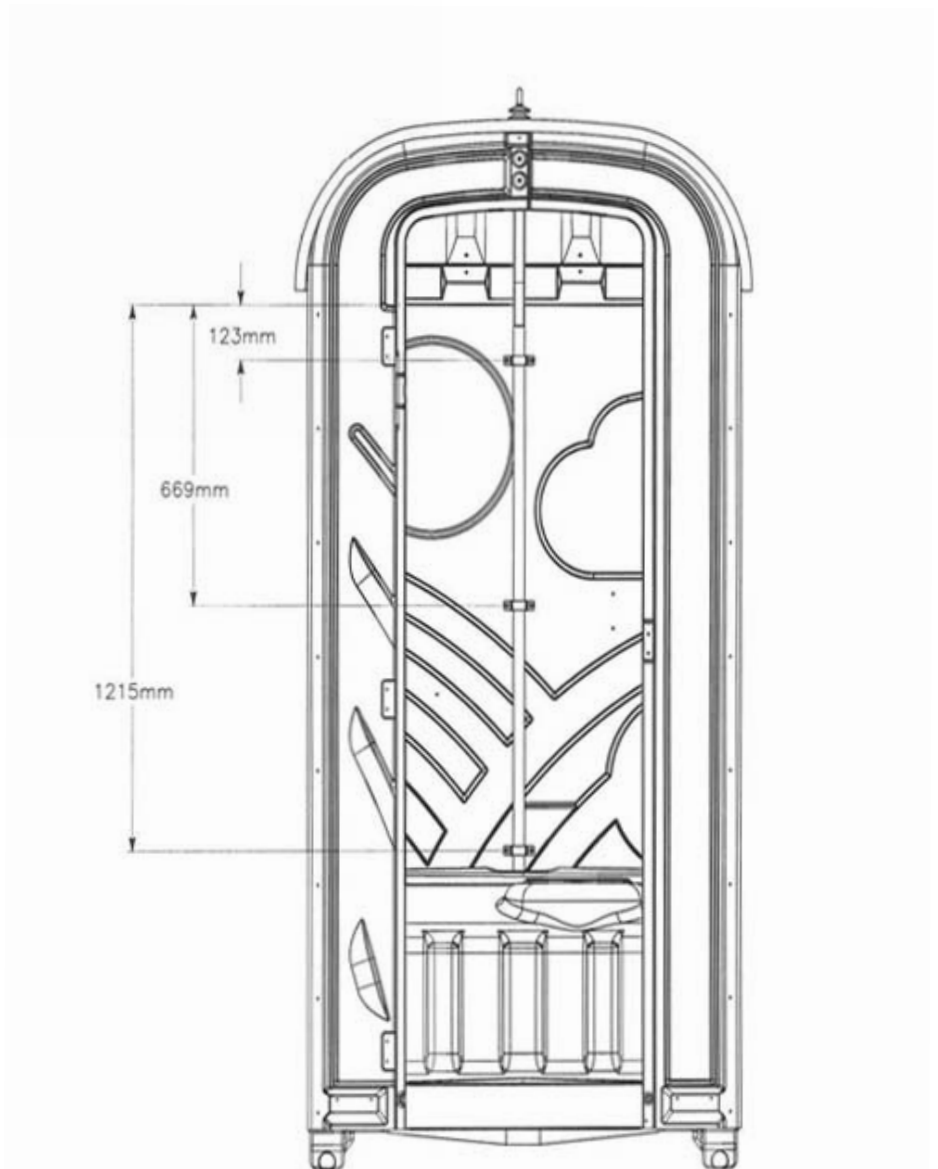
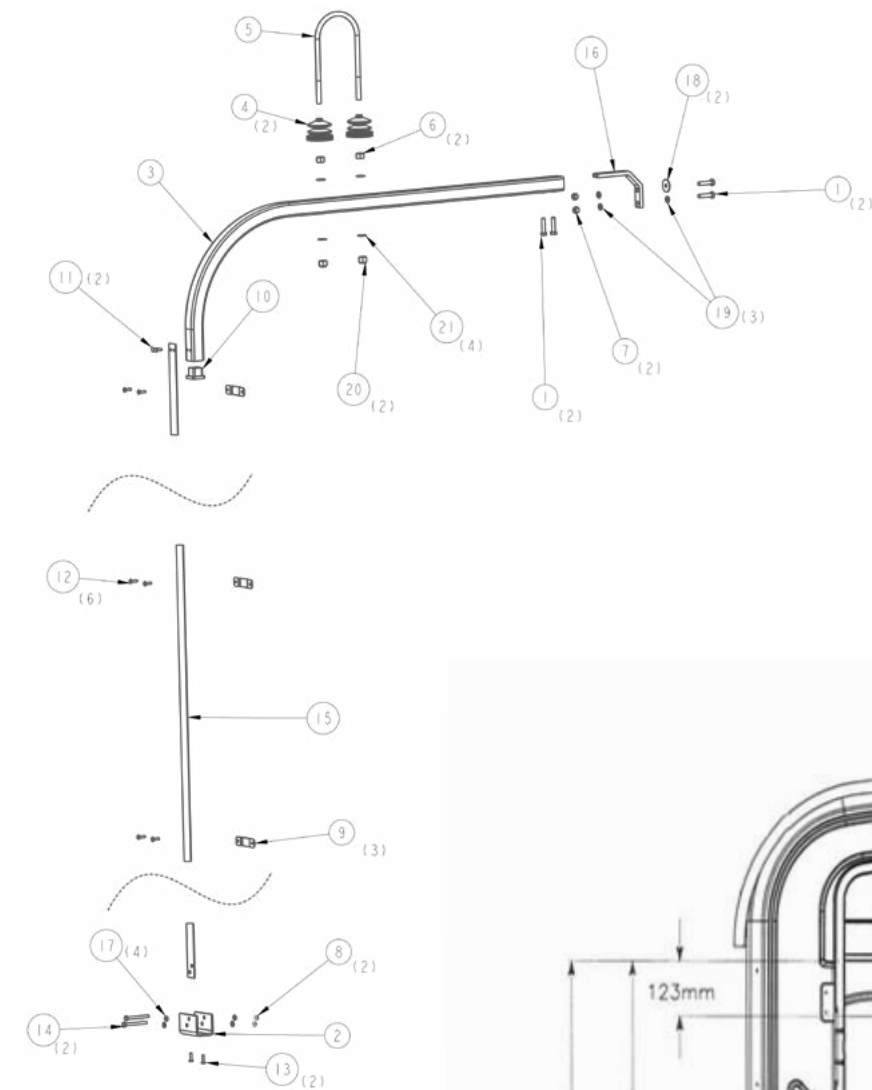
TUFWAY WET LIFT KIT FOR IMPACT BASE



TUFWAY WET LIFT KIT FOR IMPACT BASE

ITEM #	PART #	QPU	DESCRIPTION
1	19771	4	BOLT- 8MM X 35MM
2	23178	1	BRACKET- U SHAPE 105X55X80 FOR PREVIOUS BASES USE 20731 - BRACKET- U- SHAPE 75X50X47 SS
3	20733	1	FRAME- TM II LIFT 30X30X3 SS
4	19856	2	GAITER- RUB TM LIFT HOOK ROOF
5	19870	1	HOOP- TM LIFT HOOK
6	19923	2	NUT- 934- A2 M12 HEX
7	23946	2	NUT- WITH CAP M12 SELF LOCKING
8	19925	4	NUT- 985- A2 M8 SELF- LOCKING
9	20732	3	PLATE- 1.5MM STNLS
10	23179	1	PLATE- TM II IMPACT LIFT PLST
11	20748	1	PLUG- SQUARE PE PIPE
12	20738	2	RIVET- 4.8 X 15 STNLS
13	19968	6	RIVET- 4.8MM X 17MM POLYGRP AL
14	23945	2	SCREW- M8X100 A2 HEX SS
15	13860	1	SCREW, #14 X 1-1/2" WITH WSH GOLD
16	20729	1	STRIP- 1.830 X 30 X 1.5MM SS
17	22588	1	T- PIECE- TUFWAY 20X80 GALV
18	20059	7	WASHER- 8.4MM 125-A2
19	20058	1	WASHER- 8.3 X 25 X 2 STNLS
20	23947	4	WASHER- SERRATED LOCK M12 STNL

TUFWAY WET LIFT KIT - OLD VERSION

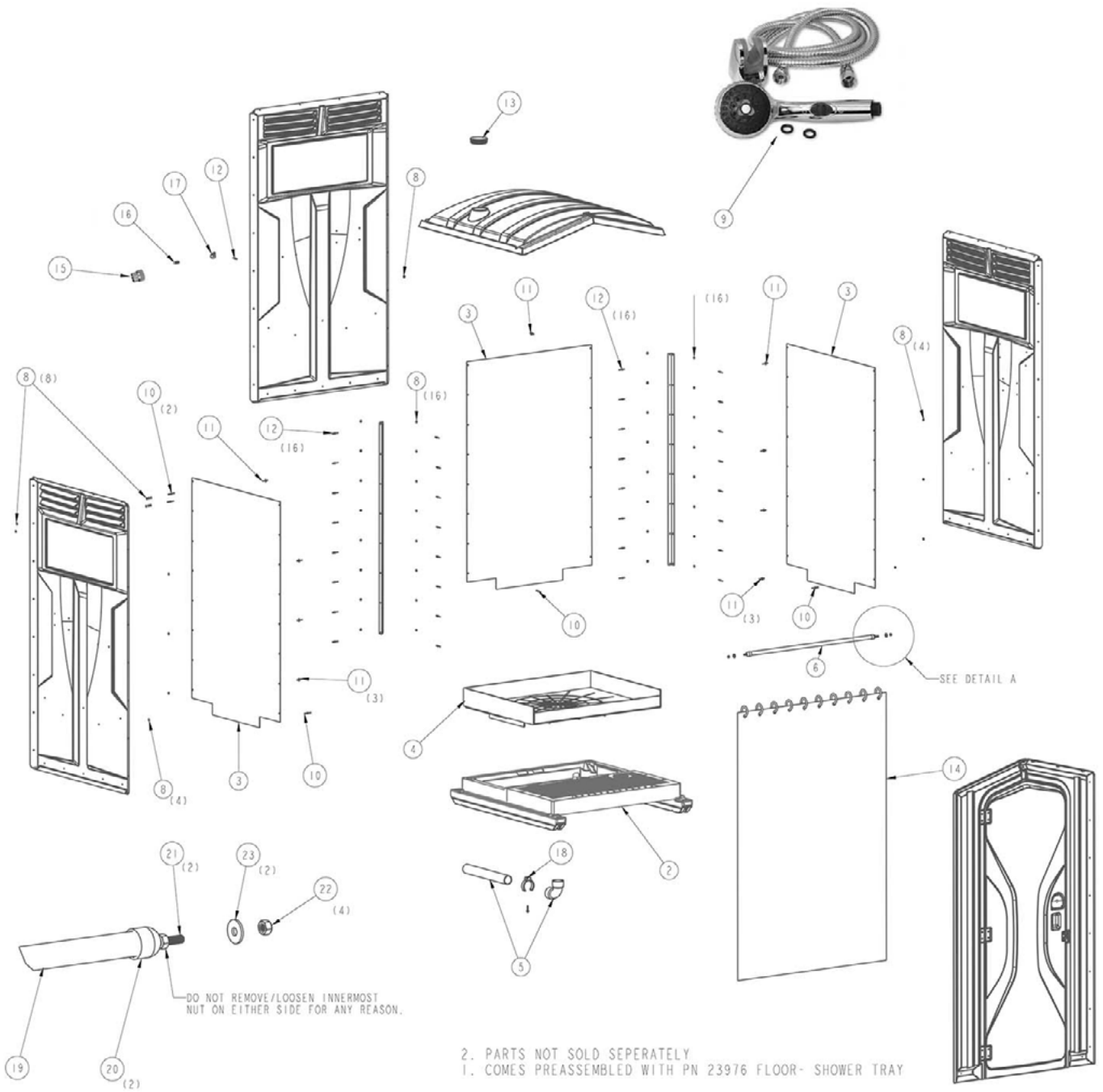


older version

TUFWAY WET LIFT KIT - OLD VERSION

ITEM #	PART #	QPU	DESCRIPTION
1	19771	4	BOLT- 8MM X 35MM
2	20731	1	BRACKET- U- SHAPE 75X50X47 SS
3	20733	1	FRAME- TM II LIFT 30X30X3 SS
4	19856	2	GAITER- RUB TM LIFT HOOK ROOF
5	19870	1	HOOP- TM LIFT HOOK
6	19923	2	NUT- 934- A2 M12 HEX
7	19925	2	NUT- 985- A2 M8 SELF- LOCKING
8	20735	2	NUT- A2 M6 SELF LOCKING
9	20732	3	PLATE- 1.5MM STNLS
10	20748	1	PLUG- SQUARE PE PIPE
11	20738	2	RIVET- 4.8 X 15 STNLS
12	19968	6	RIVET- 4.8MM X 17MM POLYGRP AL
13	19969	2	RIVET- 4.8MM X 18MM PEEL ALUM
14	20736	2	SCREW- M6 X 60MM A2 HEX
15	20729	1	STRIP- 1.830 X 30 X 1.5MM SS
16	22588	1	T-PIECE- TUFWAY 20X80 GALV
17	20737	4	WASHER- 6.4 X 12 X 1.6 STNLS
18	20058	1	WASHER- 8.3 X 25 X 2 STNLS
19	20059	3	WASHER- 8.4MM 125-A2
20	23946	2	NUT-WITH CAP M12 SELF LOCKING
21	23947	4	WASHER- SERRATED LOCK M12 STNL

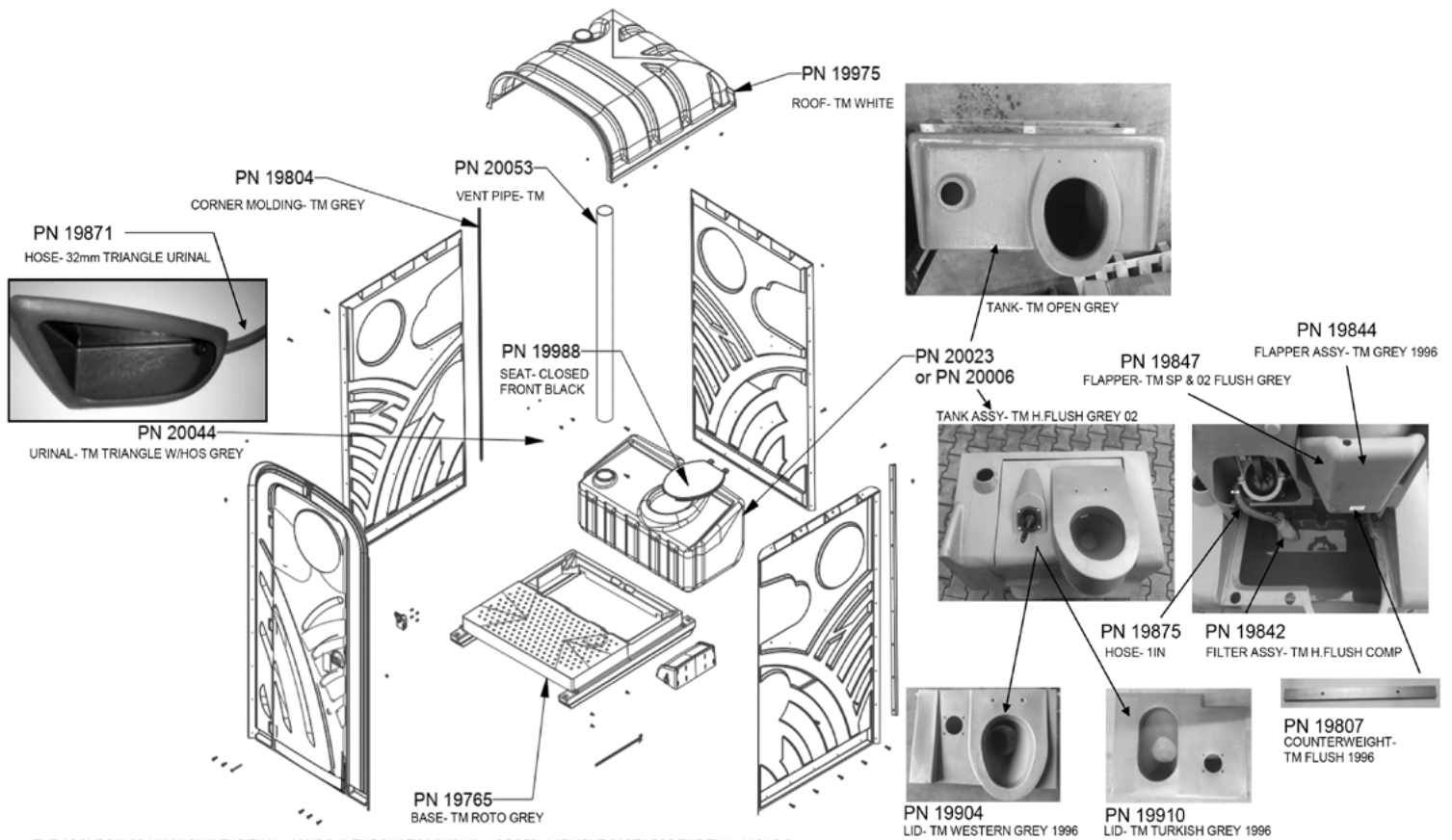
TUFWAY SHOWER



TUFWAY SHOWER

ITEM #	PART #	QPU	DESCRIPTION
1	23974	1	HDWE- SHOWER COLD WATER EU
2	23168	1	BASE ASSY- IMPACT GRID FLR EU
3	23975	1	SHOWER KIT
	24213	2	CORNER MOLDING- SHOWER EU
	24214	3	LINER- SHOWER PANEL EU
4	23976	1	FLOOR- SHOWER TRAY
5	21366	1	DRAIN- SHOWER ELBOW ASSY
	23974		HDWE- SHOWER COLD WATER EU, includes:
6	23973	1	KIT- SHOWER ROD EU, includes:
19	23971	1	TUBE- 25MM PVC 1M WHITE
20	23972	2	CAP- 25MM PVC WHITE
21	19771	2	BOLT- 8MM X 35MM
22	19925	4	NUT- 985- A2 M8 SELF- LOCKING
23	20059	2	WASHER- 8.4MM 125-A2
7	22199	1	RIVET- 3/16 TRIFIX ALUM LF
8	11315	49	WASHER- 3/16 RIVET STNLS
9	21370	1	SHOWER HEAD-WITH HOSE
10	10812	5	RIVET- #612 ALUM
11	11030	9	RIVET- #66 AAL POP
12	11027	32	RIVET- #66 ALUM
13	21148	1	PLUG- 4- 1/2 ROUND POLY BLACK
14	23970	1	LINER- SHOWER 120X180WITH RINGS WH
15	21392	1	FITTING- 1/2 FPT X 3/4 GHTF
16	21381	1	FITTING- 1/2 STRGHT X 1/2 MPT
17	21365	1	CLIP- SHOWER TUBE INSULATED
18	23969	1	CLIP- 75 MM CONDUIT
	24348	1	HEATER- PROPANE SHOWER P37 EU FOR COUNTRIES: CH, CZ, ES, FR, GB, GR, HR, IE, IT, LT, NL, PL, PT, SI, SK, TR
	24349	1	HEATER- PROPANE SHOWER P50 EU FOR COUNTRIES: DE, AT

MONDO I MAJOR ASSEMBLY



THE ABOVE DIAGRAM SHOWS THE THAL MONDO II. THE PHOTOS SHOWN ARE REPLACEMENT PARTS FOR THE THAL MONDO I.

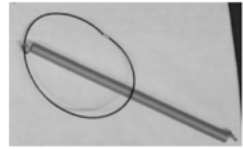
ITEM #	PART #	QPU	DESCRIPTION
	20333	1	FRONT ASSY- TM II DGRY
	SEE COLOR CHART PAGE 23	3	PANEL TM II
	19765	1	BASE- TM ROTO GREY (SOLID BASE - THIS REPLACES BASE 19763 ONLY IN GREY)
	19975	1	ROOF - TM WHITE
	19804	4	CORNER MOLDING- TM GREY
	20023	1	TANK- TM OPEN GREY
	24011	1	TTANK PKG - TM HANDFLUSH GREY NO PUMP) (2ND TANK OPTION)
	20044		URINAL- TM TRIANGLE WITH HOS GREY
	19871		HOSE- 1.25IN TRIANGLE URINAL (REPLACEMENT PART ONLY. INCLUDED IN 20044)
	19988	1	SEAT- CLOSED FRONT BLACK
	19842	1	FILTER ASSY- TM H. FLUSH COMP (REPLACEMENT PART ONLY. INCLUDED IN 20006)
	19875		HOSE- 1IN (REPLACEMENT PART ONLY. INCLUDED IN 19842)
	19847	1	FLAPPER- TM SP & 02 FLUSH GREY (REPLACEMENT PART ONLY. INCLUDED IN 20006)
	19904		LID - TM WESTERN GREY 1996
	19910		LID- TM TURKISH GREY 1996
	19844	1	FLAPPER ASSY- TM GREY 1996
	19807		COUNTERWEIGHT- TM FLUSH 1996 (REPLACEMENT PART ONLY. INCLUDED IN 19844)
	19865		HINGE- TM STNLS
	19883		KEY- TM DOOR

MONDO I MAJOR ASSEMBLY

ITEM #	PART #	QPU	DESCRIPTION
	19817	1	DECAL- TM FLUSH BEFORE & AFTER
	19981	2	SCREW- 8MM X 45MM 931-A2 HEZ (USE WITH BASE 10766)
	19980	2	SCREW- 8MM X 30MM 933-A2 HEX (USE WITH BASE 19763)
	19925	2	NUT- 985-A2 M8 SELF-LOCKING
	19968	51	RIVET- 4.8MM X 17MM POLYGRP AL
	19969	6	RIVET- 4.8MM X 18MM PEEL ALUM (SUBPART OF 20288)
	19984	17	SCREW- K60 X 20MM WITH WSHR
	20054	39	WASHER- 15MM X 5.3MM X 1.2MM
	19869	1	HOOK- TM COAT
	20055	12	WASHER- 20MM X 5.3MM X 1.5MM
	19835		DRAIN ASSY- TM HANDWASH POST98
	19884		KEY- TM METAL TP HOLDER
	20324		DRAIN PLUG TM WITH RUBBER
	19960		PLUG- DRAIN TM CORNER HW
	19971		RIVET- FAUCET TM HW PLSTC
	20028		TAP- LARGE TM HANDWASH
	20030		TAP- SMALL TM HANDWASH 1992-05
	20034		TP HOLDER- TM METAL 2-ROLL

MONDO I FRONT ASSEMBLY

INSIDE VIEW



PN 19796
CLOSURE ASSY- TM DOOR



PN 19779
BRACKET- TM DOOR SPRING DOOR



PN 19780
BRACKET- TM DOOR SPRING JAMB

PN 20288
LOCK SET- TM DOOR

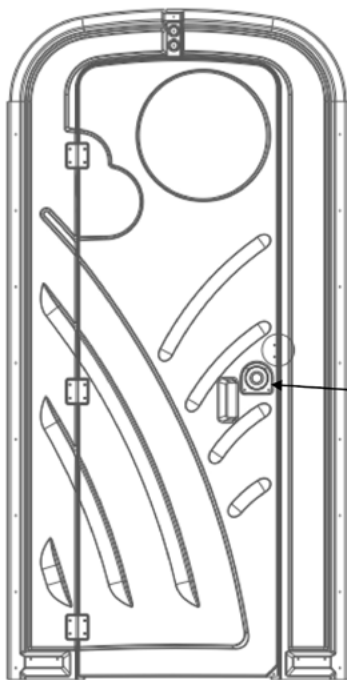


PN 19789
CHAIN LINK- TM PADLOCK

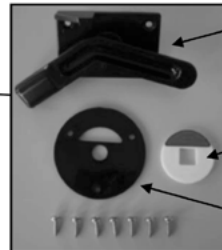
PN 19969
RIVET- 4.8mm X 18mm PEEL ALUM

PN 19840
EYE HOOK- TM PADLOCK

OUTSIDE VIEW



PN 19913
KIT- TM INDICATOR



PN 19773
LATCH- TM

PN 19880
INDICATOR- DISC YELL/RED

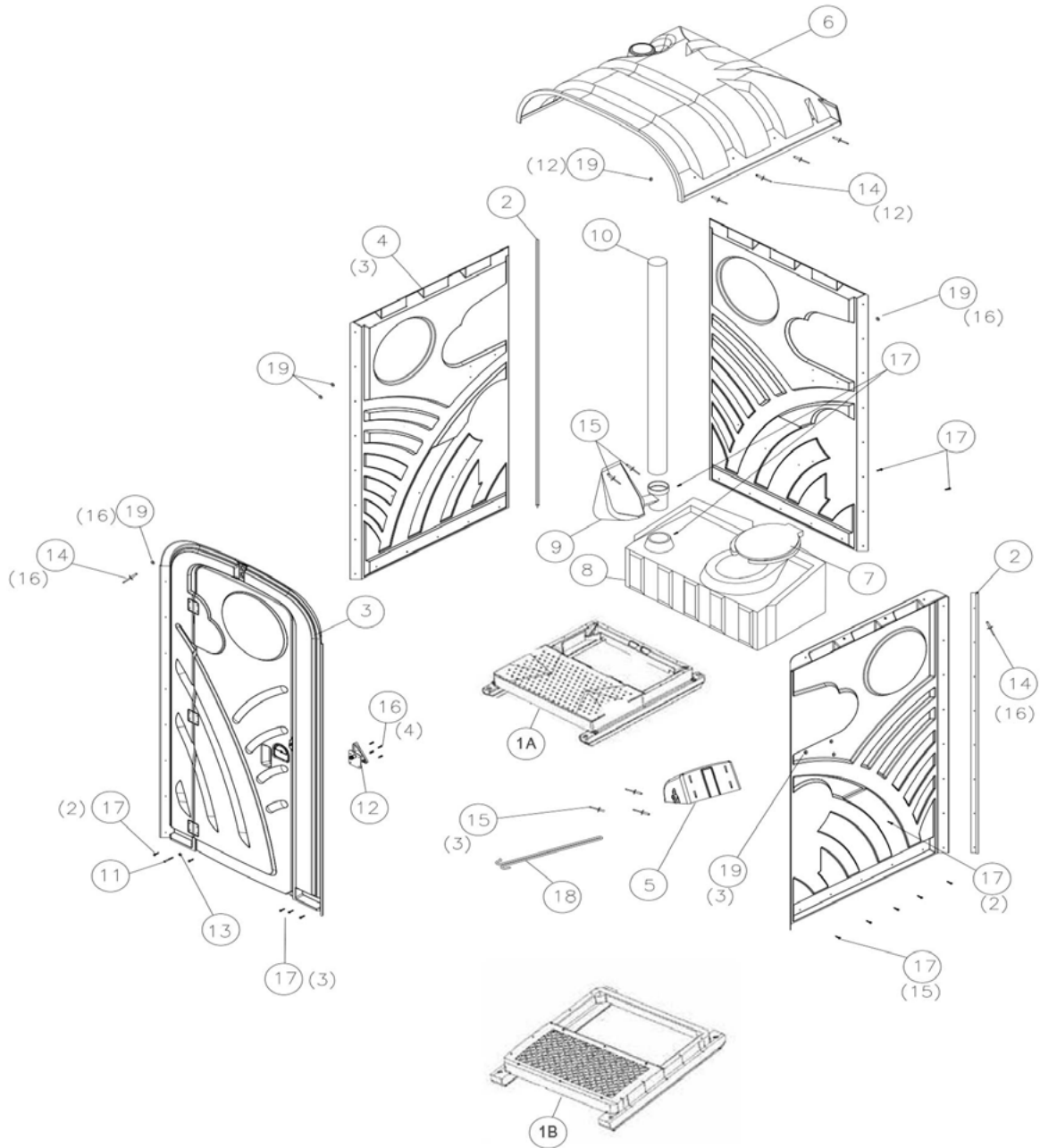
PN 19879
INDICATOR- DISC BLACK

THE ABOVE DIAGRAM SHOWS THE THAL MONDO II. THE PHOTOS SHOWN ARE REPLACEMENT PARTS FOR THE THAL MONDO I.

MONDO I FRONT ASSEMBLY

ITEM #	PART #	QPU	DESCRIPTION
	19913		KIT- TM INDICATOR, CONTAINS:
	19978	7	SCREW- 4.8MM X 16MM TAP
	19773		LATCH- TM
	19880		INDICATOR- DISC YELL/RED
	19879		INDICATOR- DISC BLACK
	19796		CLOSURE ASSY - TM DOOR
	19779		BRACKET - TM DOOR SPRING DOOR
	19780		BRACKET- TM DOOR SPRING JAMB
	20288		LOCK SET- TM DOOR, CONTAINS:
	19789		CHAIN LINK- TM PADLOCK
	19840		EYE HOOK- TM PADLOCK
	19969		HOOK RIVET- 4.8MM X 18 MM PEEL ALUM

MONDO II MAJOR ASSEMBLY



MONDO II COLOUR CHART

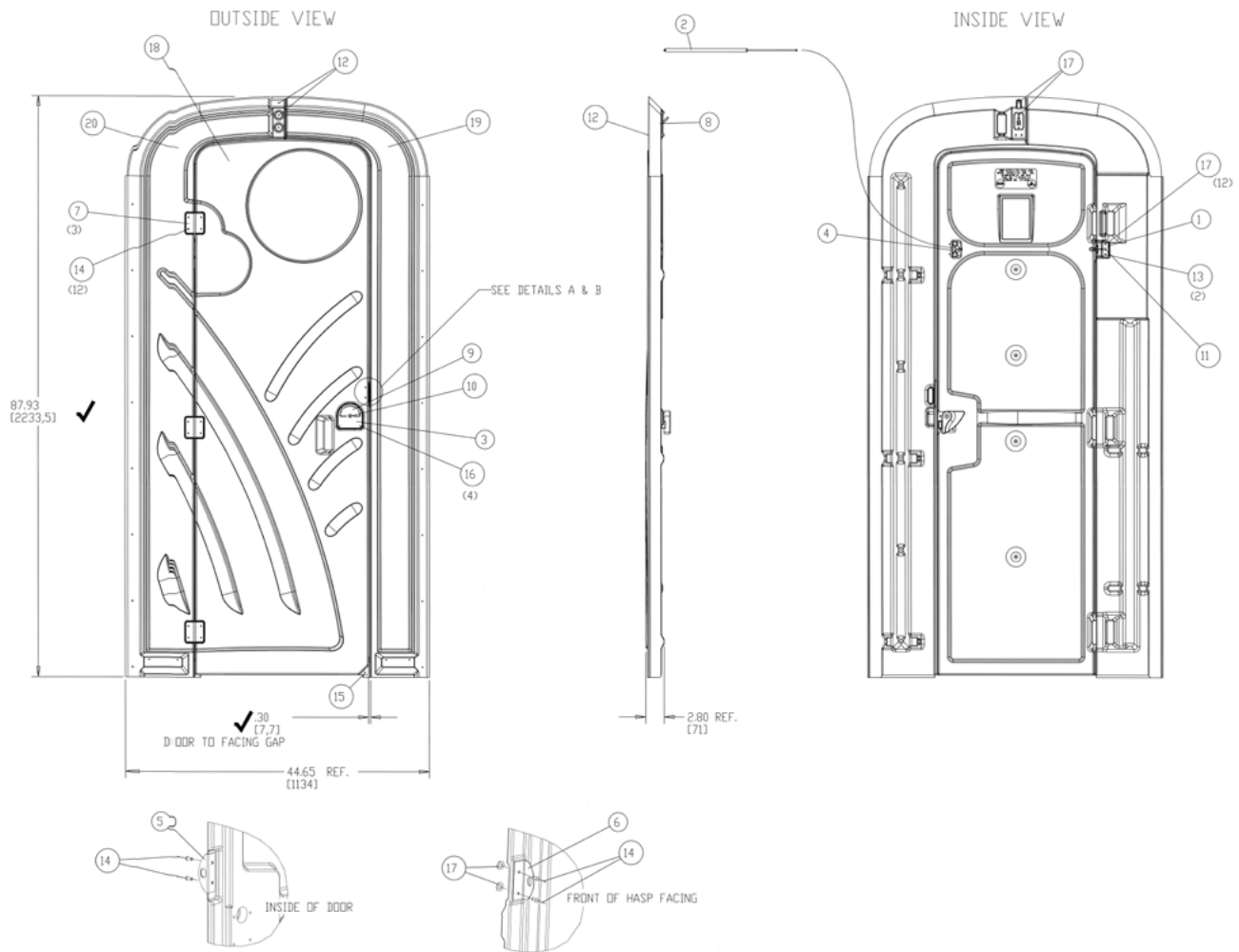
	ROYAL BLUE	FOREST GREEN	RED	YELLOW	ORANGE	DARK GREY
FRONT PART # (NOT LATCH)						20333
PANEL PART #	20344	20349	20348	20692	20350	

	MINT	LIGHT GREY	PINK	YELLOWGREEN	WHITE
FRONT PART # (NOT LATCH)					
PANEL PART #	20345	20789	20722	20761	22108

MONDO II MAJOR ASSEMBLY

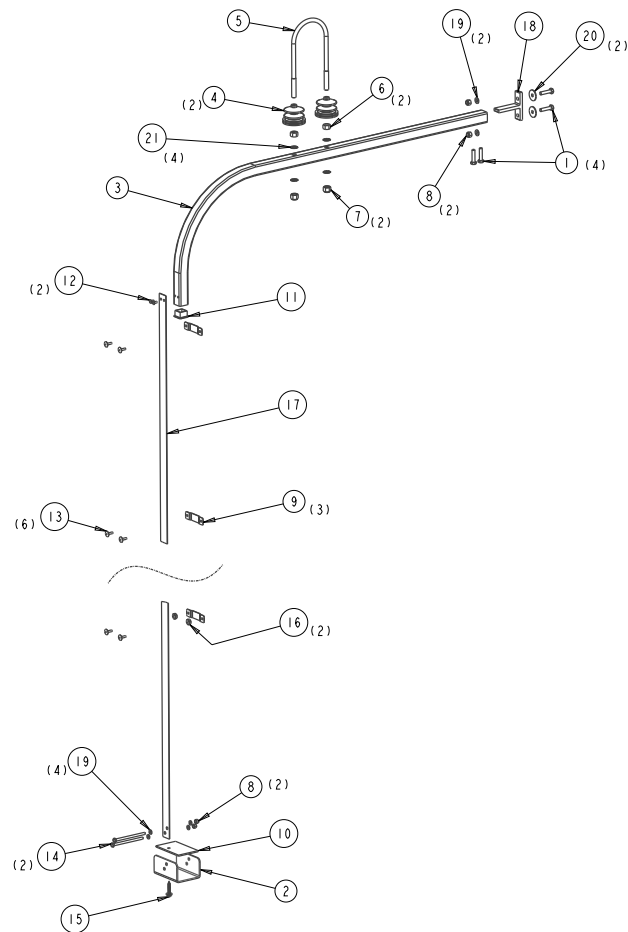
ITEM #	PART #	QPU	DESCRIPTION
1A	23169	1	BASE ASSY- IMPACT SOLID EU
1B	23168	1	BASE ASSY- IMPACT GRID EU
2	16050	2	CORNER MOLDING II- BLACK PUNCH
3	20333	1	FRONT ASSY- TM II DGRY
4	SEE CHART	3	PANEL- TM II
5	17082	1	HOOD-PAPERGUARD 2 ROLL
	22209	1	HOOD-PAPERGUARD 3 ROLL (OPTIONAL)
6	20337	1	ROOF- TM II WHITE
7	10570	1	SEAT, TOILET TUF/FRE/LIB/TM BLK (FOR REGULAR TANK)
	14959	1	SEAT- ELONG MX2/M X3/TRS/HT/TM BLK (FOR SWISH TANK)
	19196	1	KIT- TOILET SEAT 2-1/2 BOLT/NUT SET
8	14968	1	TANK PKG- TUFWAY/MONDO SWISH GREY
	10553	1	TANK- TUFWAY DGRY
	21149	1	TANK- TUFWAY HANDFLUSH FLIPTOP
	20935	1	TANK- TUFWAY FOOTFLUSH FLIPTOP
	22405	1	TANK PKG- TUF SWISH N/PUMP HOLE
9	14119	1	URINAL - STANDOVER DGRY (USE WITH VENT PIPE 14133)
10	14133	1	VENT PIPE- 4 X 62-1/2 GREY (WITH URINAL)
	11946	1	VENT PIPE- 4 X 68 GREY (WITHOUT URINAL)
12	14767	1	LATCH- RESTROOM PLASTIC
14	11030	44	RIVET- #66 AAL POP
15	11054	5	RIVET- #68 AAL POP
16	10122	4	SCREW- #10 X 3/4 PHPN TAP PLTD
17	13860	27	SCREW- #14 X 1-1/2 WITH WSH GOLD
19	16844	1	SPINDLE-PAPERGUARD 2 ROLL META
	22310	1	SPINDLE- PRGRD II 3 ROLL METAL (OPTIONAL)
20	11315	49	WASHER- 3/16 RIVET STNLS
	20336	1	HDWE- TM II 2 ROLL
11	13173	1	BOLT - 5/16 X 3IN HWHD (ONLY USED ON ROTO BASES)
13	18191	1	NUT- 5/16 SERRATED FLANGE (ONLY USED ON ROTO BASES)

MONDO II FRONT ASSEMBLY



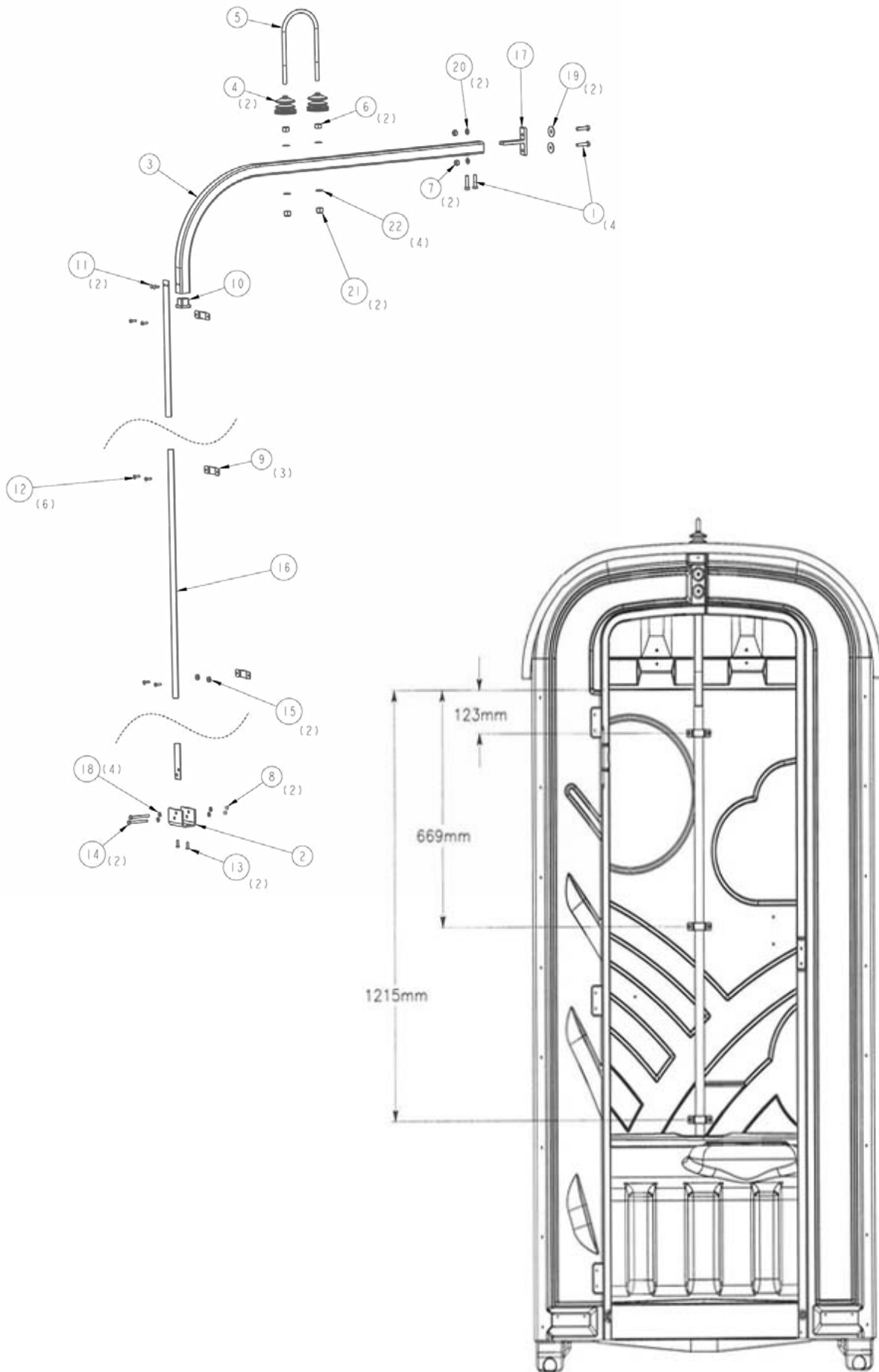
ITEM #	PART #	QPU	DESCRIPTION
1	10889	1	BRACKET, CABLE ANCHOR
2	14649	1	CLOSURE ASSY - DOOR, MAXIM
3	13415	1	COVER, INDICATOR BLACK
4	18760	1	END CAP, TR S/HT 2 CLOSURE
5	18804	1	HASP, TR S/HT 2 DOOR
6	18805	1	HASP, TR S/HT /HT 2 FACING
7	13266	3	HINGE, DOOR STNLS ROUND CORNER
8	10891	1	HOOK, FLAT COAT STNLS
9	15630	1	INDICATOR, UNIVERSAL
10	10161	1	PLUG, 1/2 INDICATOR BLACK PLST
11	14803	1	PLUG, 3/ 8 HOLE
12	10812	3	RIVET, # 612 ALUM
13	12393	2	RIVET, # 64 APP PDP
14	11270	16	RIVET, #68 STNLS
15	10122	1	SCREW, #10 X 314 PN PH TAP PL
16	10804	4	SCREW, #8 X 3/ 4 TAP GOLD
17	11315	16	WASHER, 3/16 RIVET STNLS
18		1	DOOR, THAL MONDO
19		1	FACING, THAL MONDO FRONT HASP
20		1	FACING, THAL MONDO FRONT HINGE

MONDO II IMPACT WET LIFT KIT



ITEM #	PART #	QPU	DESCRIPTION
1	19771	4	BOLT- 8MM X 35MM
2	23178	1	BRACKET- U SHAPE 105X55X80 SS
3	20733	1	FRAME- TM II LIFT 30X30X3 SS
4	19856	2	GAITER- RUB TM LIFT HOOK ROOF
5	19870	1	HOOP- TM LIFT HOOK
6	19923	2	NUT- 934- A2 M12 HEX
7	23946	2	NUT- WITH CAP M12 SELF LOCKING
8	19925	3	NUT- 985- A2 M8 SELF- LOCKING
9	20732	3	PLATE- 1.5MM STNLS
10	23179	1	PLATE- TM II IMPACT LIFT PLST
11	20748	1	PLUG- SQUARE PE PIPE
12	20738	2	RIVET- 4.8 X 15 STNLS
13	19968	6	RIVET- 4.8MM X 17MM POLYGRP AL
14	23945	2	SCREW- M8X100 A2 HEX SS
15	13860	1	SCREW, #14 X 1-1/2" WITH WSH GOLD
16	20749	2	SPACER- 15 X 4 X 5 MM STNLS
17	20729	1	STRIP- 1.830 X 30 X 1.5MM SS
18	20730	1	T- PIECE- TM II 80X80X8 STNLS
19	20059	6	WASHER- 8.4MM 125-A2
20	20058	2	WASHER- 8.3 X 25 X 2 STNLS
21	23947	4	WASHER- SERRATED LOCK M12 STNL

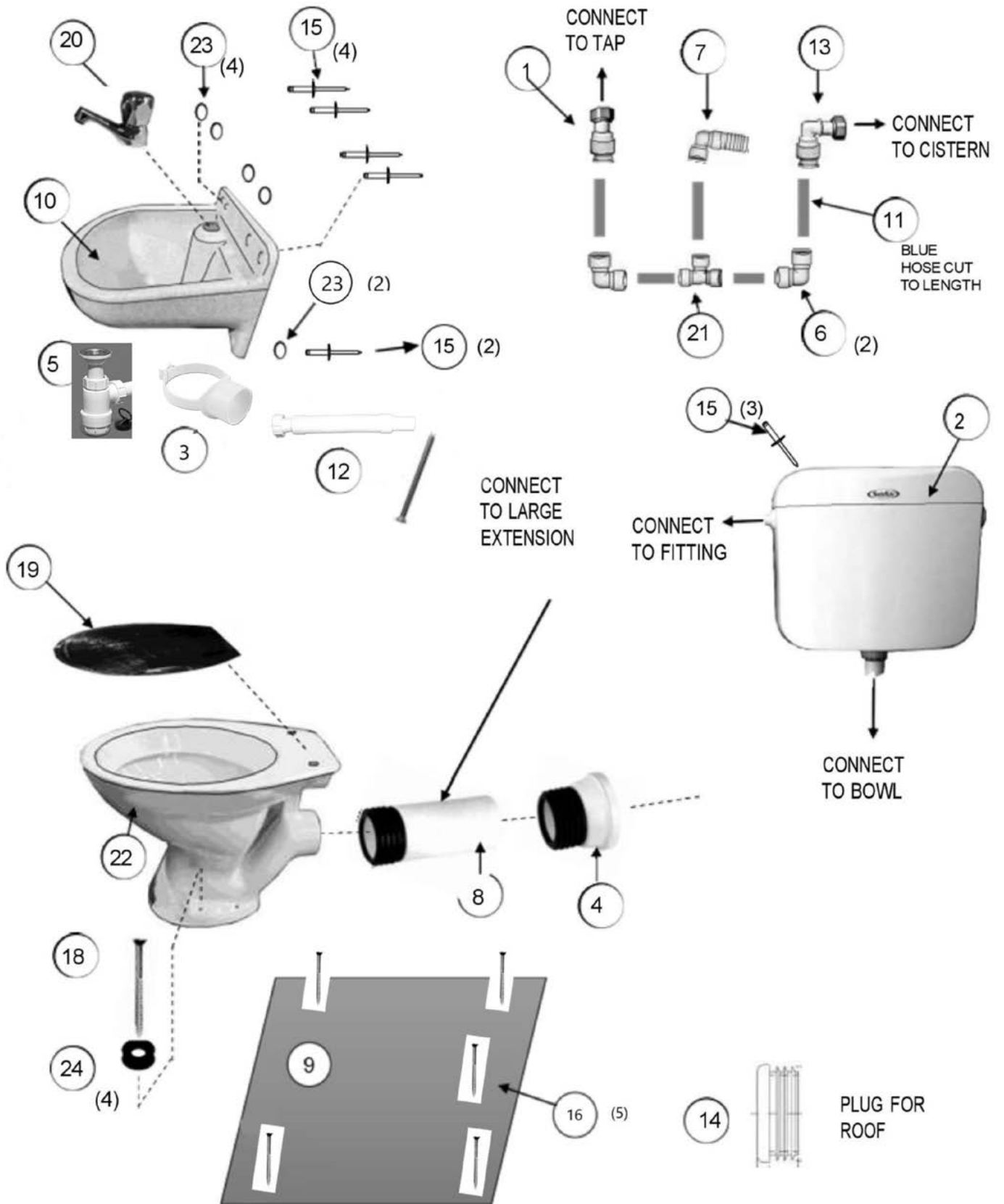
MONDO II WET LIFT KIT FOR PREVIOUS BABES



MONDO II WET LIFT KIT FOR PREVIOUS BABES

ITEM #	PART #	QPU	DESCRIPTION
1	19771	4	BOLT- 8MM X 35MM
2	20731	1	BRACKET- U- SHAPE 75X50X47 SS
3	20733	1	FRAME- TM II LIFT 30X30X3 SS
4	19856	2	GAITER- RUB TM LIFT HOOK ROOF
5	19870	1	HOOP- TM LIFT HOOK
6	19923	2	NUT- 934- A2 M12 HEX
7	19925	2	NUT- 985- A2 M8 SELF- LOCKING
8	20735	2	NUT- A2 M6 SELF LOCKING
9	20732	3	PLATE- 1.5MM STNLS
10	20748	1	PLUG- SQUARE PE PIPE
11	20738	2	RIVET- 4.8 X 15 STNLS
12	19968	6	RIVET- 4.8MM X 17MM POLYGRP AL
13	19969	2	RIVET- 4.8MM X 18MM PEEL ALUM
14	20736	2	SCREW- M6 X 60MM A2 HEX
15	20749	2	SPACER- 15 X 4 X 5 MM STNLS
16	20729	1	STRIP- 1.830 X 30 X 1.5MM SS
17	20730	1	T- PIECE- TM II 80X80X8 STNLS
18	20737	4	WASHER- 6.4 X 12 X 1.6 STNLS
19	20058	2	WASHER- 8.3 X 25 X 2 STNLS
20	20059	2	WASHER- 8.4MM 125-A2
21	23946	2	NUT-WITH CAP M12 SELF LOCKING
22	23947	4	WASHER- SERRATED LOCK M12 STNL

MAINS CONNECT



MAINS CONNECT

ITEM #	PART #	QPU	DESCRIPTION
1	19754	1	ADAPTER- 15MM X 15MM THREADED
	19014	1	BASE TUFWAY ROTO MOLD DGRY
2	19790	1	CISTERN ASSY- MAINS TLGT
3	23760	1	KIT- MC DRAIN STRAP 32MM 1.00
4	19801	1	CONNECTOR- MAINS WC PAN STRGHT
	16050	2	CORNER MOLDING II- BLACK PUNCH
5	24085	1	BOTTLE- TRAP SINK MC
6	19837	2	ELBOW- 15MM X 15MM
7	19838	1	ELBOW- 15MM X 15MM STEM
9	19839	1	EXTENSION - MA WC PAN CONNECTR
9	19849	1	FLOOR INSERT- MAINS INJ TFW BS
10	19747	1	HANDWASH- TM MAINS TLGT
	20336	1	HDWE- TM II 2 ROLL
	17082	1	HOOD-PAPERGUARD 2 ROLL
11	19873	148	HOSE- 15MM BLUE
12	24086	1	HOSE- FLEX MC
13	19808	1	HWC FEMALE COUPLING 1/2IN-1/2I
	20337	1	ROOF- TM II WHITE
14	21148	1	PLUG- 4- 1/2 ROUND POLY BLACK
15	19970	9	RIVET- 4.8MM X 25MM BLIND LONG
16	12007	5	SCREW- #10 X 1- 1/4 PN PH TAP
18	22662	4	SCREW- TURBO SILVER 6X80MM
19	19988	1	SEAT- CLOSED FRONT BLACK
20	20029	1	TAP- MAINS COLD WATER (FAUCET)
21	20031	1	TEE- 15MM X 15MM X 15MM
22	20033	1	TOILET BOWL- MAINS PORCELAIN
23	11315	4	WASHER- 3/16 RIVET STNLS
23	11315	9	WASHER- 3/16 RIVET STNLS
24	18845	4	WASHER- RUBBER 3/16 THK

AXXIS® MAJOR ASSEMBLY

ITEM #	PART #	QPU	DESCRIPTION
FRONT AND DOOR ASSEMBLY			
1	SEE CHART	1	FRONT & DOOR FINISHED AXXIS
2	SEE CHART	3	PANEL- AXXIS
3	22989	4	CORNER MOLDING WHITE PUNCHED
4	22916	1	VENT PIPE- 4 X 68 AX/VN DGRY
5	22917	1	HOOD- PGRD AX/VN 3 ROLL DGRY
6	22921	1	ROOF- AX/VN T-22 DOME NAT
	22920	1	ROOF- AXXIS T-11 DOME NAT
7	22919	1	URINAL- AX/VN DGRY
8	22918	1	TANK- 60GAL HOLDING
9	1934-699	1	SHOULDER SCREW 1/4" D X 2"
10*	13860	21	SCREW- #14 X 1- 1/2 WITH WSH GOLD
11*	1817-699	5	RIVET: BF41-0625 TRI CLAMP
12*	1816-699	53	RIVET: ABL66A
13*	1813-699	4	RIVET: ABL610A
14*	1808-699	6	RIVET: 688 TRI-BULB (TRI-CLAMP)
15*	1771-699	1	NUT: 10-24 HEX SS NYLON INSERT
16*	1713-699	7	WASHER: 1/4" STAINLESS FLAT
17*	1709-699	15	WASHER: WHITE PLASTIC 1/4" ID
18*	1705-699	65	WASHER: ALUMINUM 3/16
19	1093-699	2	LOCK BRACKET (AXXIS)
20	1081-799	1	ROTARY DOOR LATCH WITH LABLE
21	1051-699	1	TOILET PAPER ROD FOR 3 ROLL (2 ROLL - 1037-699)
22	1038-699	1	PADLOCK (55/25) WITH KEY (5253) (KEY- 1050-699)
23	1029-699	1	COAT HOOK
24*	18098	1	SCREW- #10 X 2 PN PH TAP
25*	13860	6	SCREW- #14 X 1-1/2 W.WSH GOLD
26	10570	1	SEAT- TOILET TUF/FRE/LIB BLACK
27	23168	1	BASE ASSY- IMPACT GRID EU
**	23169	1	BASE ASSY- IMPACT SOLID EU
28	1080-699	1	DOOR / HOVER HANDLE (VANTAGE / AXXIS)
29*	1821-699	2	RIVET: TRI-CLAMP AL0625ATB (VANTAGE / AXXIS)
30	1021-699	3	HINGE: SPRING LOADED FOR AXXIS / VANTAGE UNITS
31*	1827-699	12	RIVET: SSB68S SPRING HINGE
32*	1701-699	12	WASHER: .1951"D X .625" OD

AXXIS TOILET SPECIFICATIONS

HEIGHT STANDARD ROOF: 89" (2260MM)

STANDARD TANK VOLUME: 60 GAL (227L)

HEIGHT KEYSTONE ROOF: 92" (2336MM)

FLOOR SPACE: 41"-21" (1041MM X 533MM)

LENGTH: 47" (1194MM)

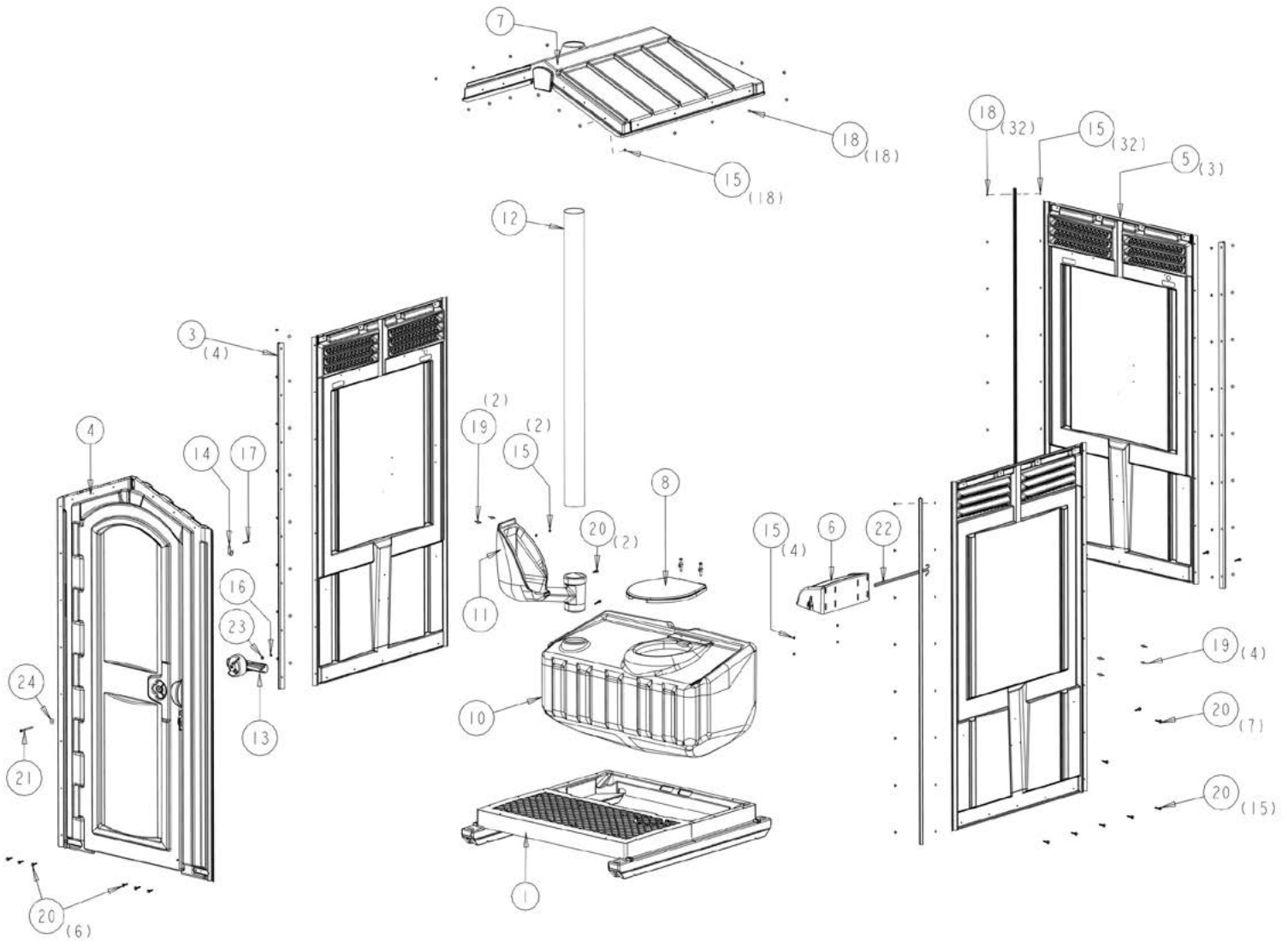
SEAT HEIGHT: 18" (457MM)

WIDTH: 43" (1092MM)

DOOR SPACING: 73" X 24" (1854MM) X 610MM)

WEIGHT (ROTO BASE): 165 LBS (75KG)

GLOBAL II™ MAJOR ASSEMBLY



COLOR CHART

	ITEM	BLUE	FOREST GREEN	SAND	GREY	YELLOW	RED	ORANGE
FRONT GB	Door	40233	40234	40235	40237	40238	40239	40236
PANEL GB	Panel	40226	40227	40228	40230	40231	40232	40229

CUSTOM COLORS
 (QTY 55 - 4 TO 6 WEEKS LEAD TIME FROM ORDER RELEASE)
 CONTACT AREA MANAGERS FOR PRICING - NEW FRONTS AND PANELS CAN BE USED WITH OLD UNITS

GLOBAL II™ MAJOR ASSEMBLY



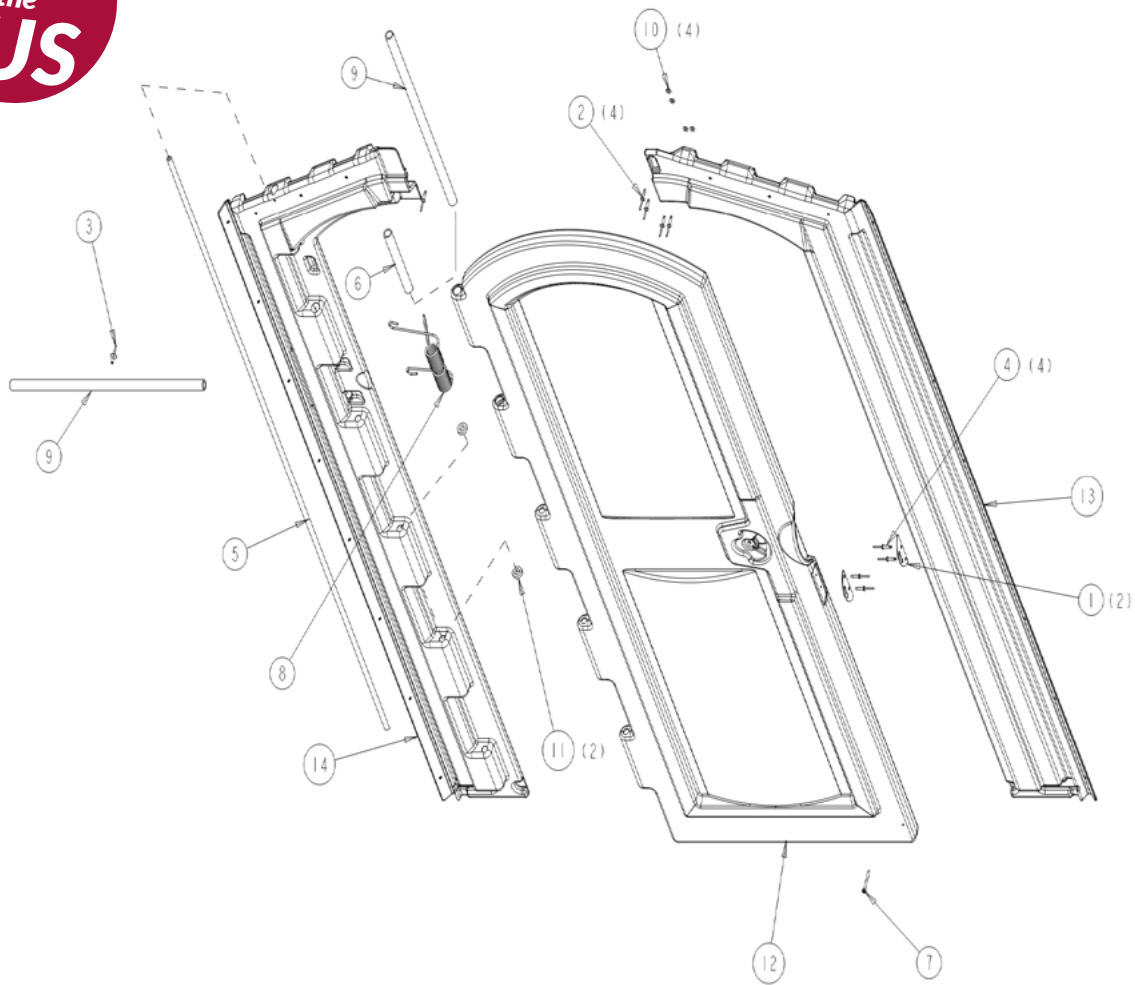
ITEM #	PART #	QPU	DESCRIPTION
1	23168	1	BASE ASSY- IMPACT GRID EU
3	40020	4	EXTRUSION- GB T DRILLED BLACK
4	SEE COLOR	1	FRONT ASSY- GB II
	40225	1	HDWE- GB II
5	SEE COLOR	3	PANEL- GB II
6	17082	1	HOOD-PAPERGUARD 2 ROLL
7	40223	1	ROOF- GB II NATURAL
7	22335	1	KIT- PAPERGRD II 3ROLL POP RVT
8	10570	1	SEAT- TOILET BLACK (INCLUDES HARDWARE - 10 PER CASE)
	19196	1	KIT- TOILET SEAT 2-1/2 BOLT/NUT SET
	16075	1	SHELF- MX2 & TUFWAY DGRY
10	10553	1	TANK- TUFWAY DGRY
11	14119	1	URINAL- STANDOVER DGRY
12	14133	1	VENT PIPE- 4 X 62-1/2 DGRY
13	40057	1	HANDLE- GB TOILET GREY
14	10891	1	HOOK- FLAT COAT STNLS
15*	11315	56	WASHER- 3/16 RIVET STNLS
16*	16307	1	NUT- 1/4-20 NYLOC STNLS
17*	17436	1	RIVET- AVDEL SILVER
18*	11030	50	RIVET- #66 AAL POP
19*	11054	6	RIVET- #68 AAL POP
20*	13860	30	SCREW- #14 X 1-1/2 WITH WSH GOLD
21*	40052	1	SCREW- 1/4-20X3-1/2 PH PNHD SS
22	16844	1	SPINDLE-PAPERGUARD 2 ROLL META
23*	12382	1	WASHER- 1/4 FLAT STNLS
24*	11360	1	WASHER- 1/4 ID FENDER STNLS
	40225	1	HDWE- GB II
	40083	1	KIT- GB T EXT HDWE ADD ON
	40242	1	INSTRUCTION- GB II T EXT (SEE WEBSITE)

* Only sold in multiples of 100 - availability limited- call for details

NOTE: P97 & PN 18191 ARE USED ONLY WITH ROTO BASE UNIT & HD EXTRUSION IS NOT COMPATIBLE

GLOBAL® II FRONT ASSEMBLY

SOLD
in the
US

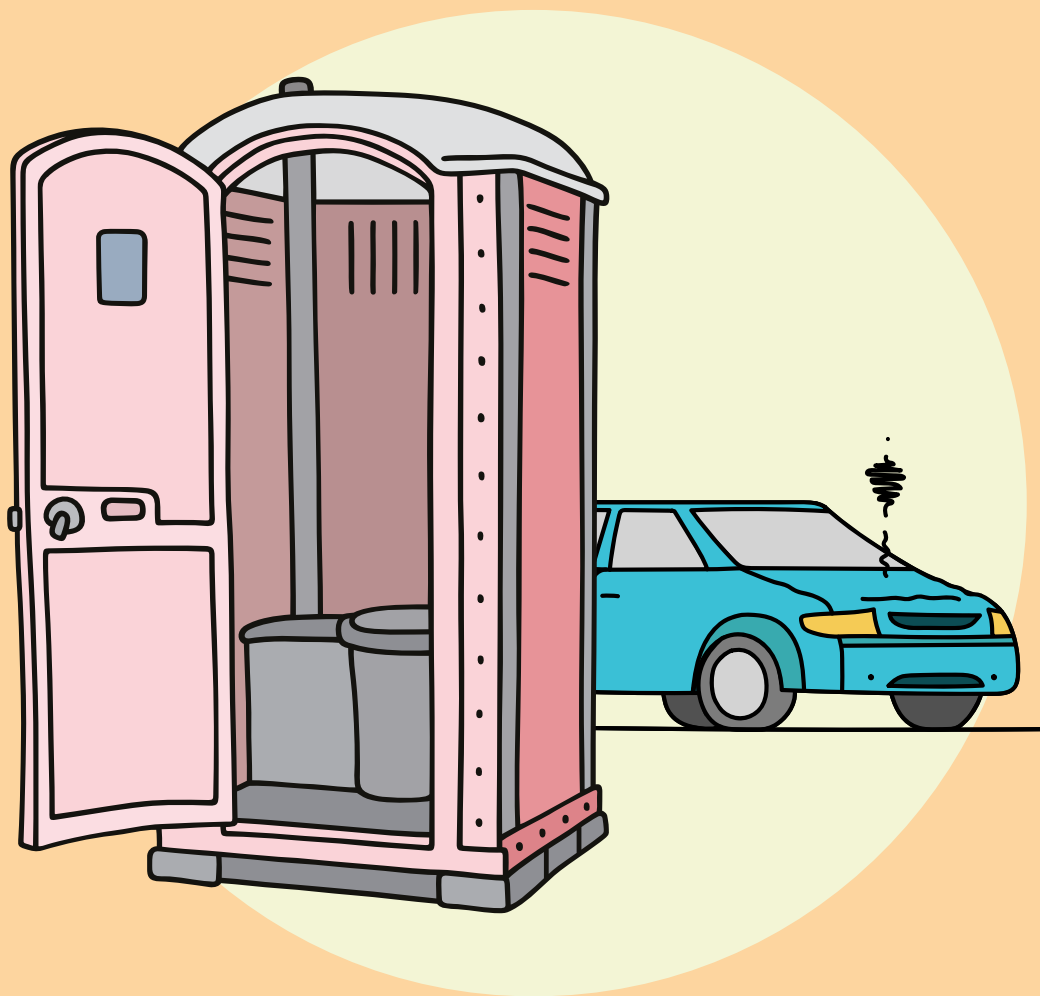


ITEM #	PART #	QPU	DESCRIPTION
1	40140	2	HASP- GB FRONT
2*	22207	4	RIVET- #68 AAP POP
3*	11054	1	RIVET- #68 AAL POP
4*	17436	4	RIVET- AVDEL SILVER
5	40148	1	ROD- GB FRONT
6	40150	1	ROD SLEEVE- GB FRONT SPRING
7*	18098	1	SCREW- #10 X 2 PN PH TAP
8	40110	1	SPRING- GB FRONT
9	40104	2	TUBE- GB FRONT HANDLE
10*	11315	4	WASHER- 3/16 RIVET STNLS
11	22283	2	SPACER- GLOBAL II DOOR
12			DOOR - GB II
13		1	FACING - HASP GB II
14		1	FACING - HINGE GB II

* Only sold in multiples of 100

I LAST LONGER THAN YOUR NEW CAR.

I'm made from durable plastic and I stick around for at least 15 years. That's longer than the average lifetime of a car. At the end of my life, I can be completely recycled. Pretty sustainable, hu?



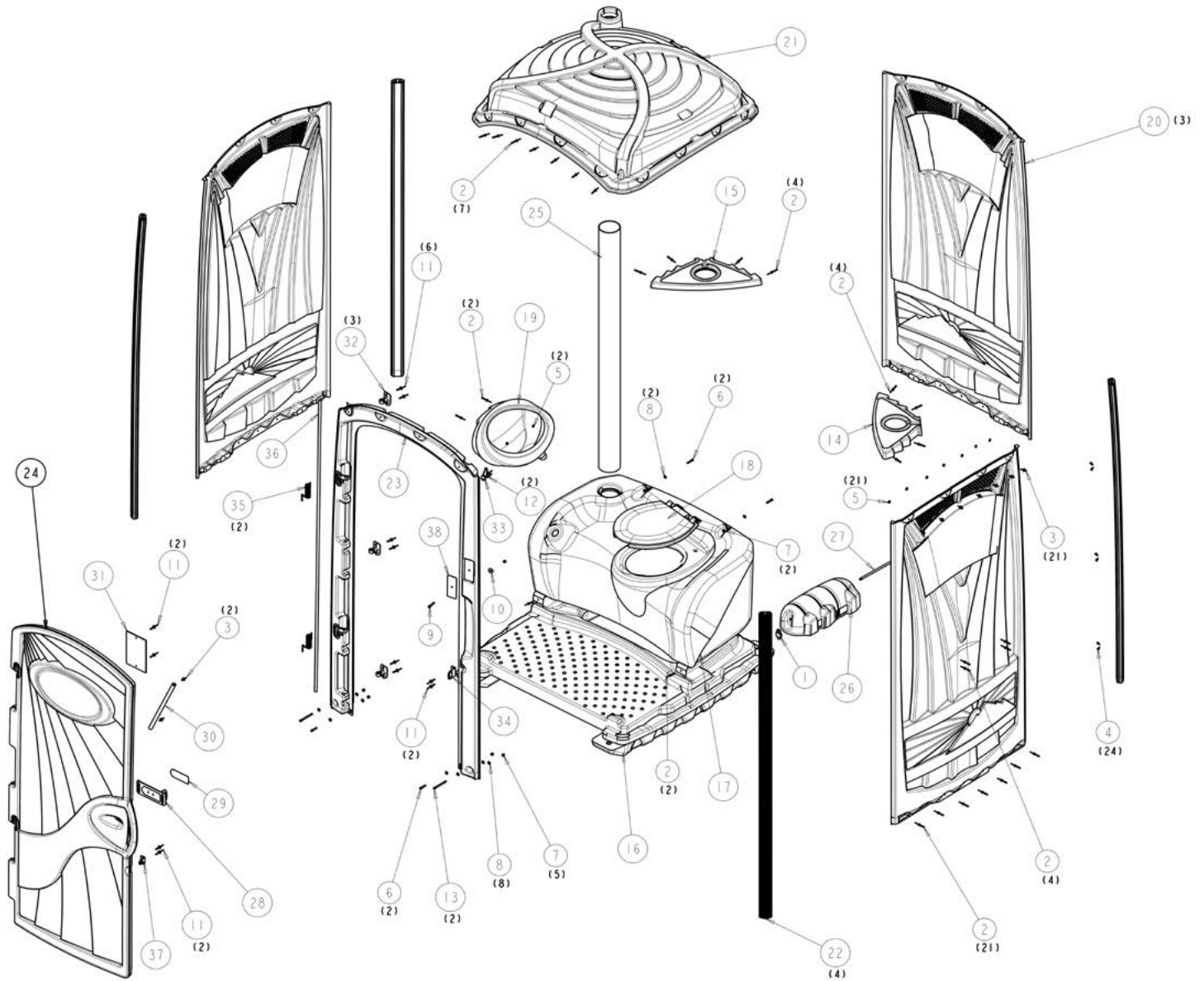
Interested to learn more?

More information on www.satelliteindustries.co.uk/resources/sustainability



By Satellite Industries

ASPEN/GLACIER FULL ASSEMBLY



ASPEN COLOR CHART

ITEM	BLUE	FOREST GREEN	SAND	GREY	YELLOW	RED	ORANGE	
FRONT GB-(& Jamb)	Door	3000-20	3000-40	3000-60	3000-10	3000-50	3000-70	3000-99
PANEL GB	Panel	2000-20	2000-40	2000-60	2000-10	2000-50	2000-70	2000-99
ITEM	DARK GRAY	GREEN	TEAL	PURPLE	PINK	WHITE	LIME	
FRONT GB-(& Jamb)	Door	3000-12	3000-40	3000-30	3000-90	3000-80	00coex	3000-45
PANEL GB	Panel	2000-12	2000-40	2000-30	2000-90	2000-80	00coex	2000-45

CUSTOM COLORS
 (QTY 55 - 4 TO 6 WEEKS LEAD TIME FROM ORDER RELEASE)
 CONTACT AREA MANAGERS FOR PRICING - NEW FRONTS AND PANELS CAN BE USED WITH OLD UNITS

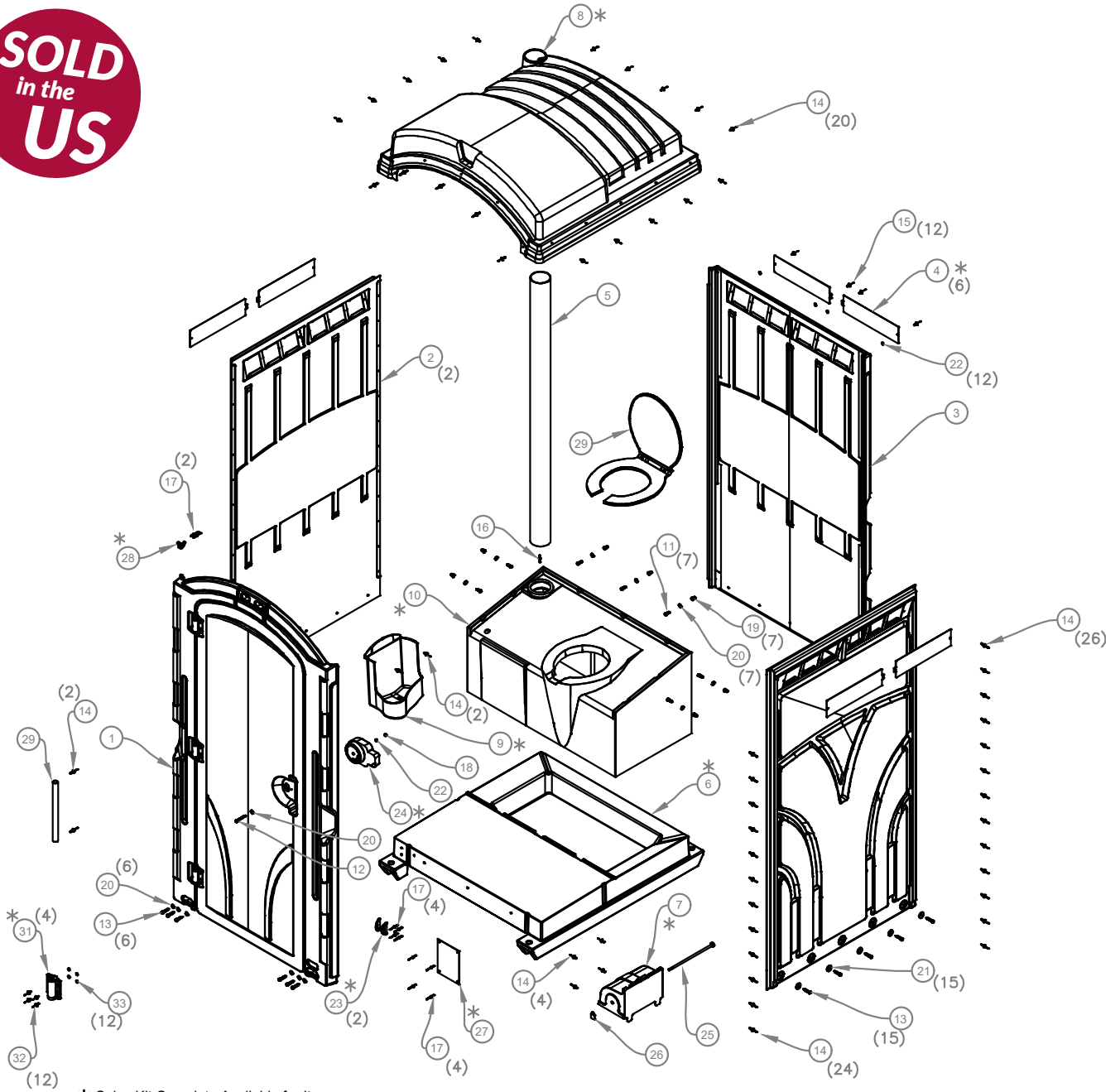
ASPEN/GLACIER FULL ASSEMBLY

ITEM #	PART #	QPU	DESCRIPTION
1	14551	1	LOCK
2	22604	44	RIVET 3/16 EXP
3	11030	23	RIVET 3/61X3/18 GRIP ROOF RIVET
4	72930	24	SCREW #10X3/4 IN PPH SS
5	71015	23	RIVET BURR 3/16 WASHER
6	71171	4	1/4-20X1-1/2 HEX TAP BOLT 18-8
7	71010	7	NYLOCK 1/4-20
8	71013	10	FW S/S SML 1/4X5/8
9	72599	1	SCREW 1/4-20X1.75
10	71212	1	FENDER WASHER 1/4IDX1OD SS
11	14417	12	RIVET
12	11270	2	RIVET
13	0083	2	BOLTS
14	2400-10	1	CORNER SHELF WITH O HOLE
15	2401-10	1	CORNER SHELF WITH HOLE
16	4000-11	1	SKID BLACK WITH GRAY SWIRL
17	5000-11	1	TANK BLACK WITH GRAY SWIRL
18	10570	1	TOILET SEAT BLACK
19	2100-11	1	URINAL GRAY
20	2000-10	3	ASPEN SIDE PANEL GRAY
21	1001-00	1	ROOF ASPEN/GLACIER
22	7000-10	4	CORNER EXTRUSION RPVC ASPEN MODEL
23	3200- <small>(SEE FRONT COLOR CHART)</small>	1	DOOR JAMB
24	3000- <small>(SEE COLOR CHART)</small>	1	FRONT DOOR
25	6000-10	1	VENT PIPE GRAY 61.375 IN LENGTH
26	2303-00	1	PAPER ROD 3 ROLL
27	2203-11	1	PAPER HOLDER 3 ROLL - DRILLED
28	3400-94	1	DOOR LATCH NODECAL
29	3600-00	1	DOOR LATCH DECAL ONLY
30	9300-10	1	HOVER HANDLE
31	3700-00	1	MIRROR
32	3750-00	3	BRACKETS DOOR HINGE
33	3950-00	1	COAT HOOK
34	3800-10	1	LARGE DOOR HASP
35	3500-10	2	SPRINGS
36	3300-00	1	DOOR HINGE ROD
37	3800-01	1	SMALL DOOR HASP
38	3650-00	1	GENDER PLATE

* Only sold in multiples of 100 - availability limited- call for details

VANTAGE® MAJOR ASSEMBLY

SOLD
in the
US



* Sales Kit Complete Available for Item

VANTAGE COLOR CHART

	AQUA	BLUE	GRAY	FOREST	LIME	ORANGE	PINK	RED
FRONT PART #	22993	22994	22995	22996	22997	22998	22999	23000
PANEL PART #	23010	23011	23012	23013	23014	23015	23016	23017
REAR PART #	23027	23028	23029	23030	23031	23032	23033	23024
	SILVER	TAN	MAROON	YELLOW	TURBO BLUE	DARK BLUE	GRASS GREEN	PURPLE
FRONT PART #	23001	23002	23003	22304	22305	23006	23007	23008
PANEL PART #	23018	23019	23020	23021	23022	23023	23024	23025
REAR PART #	23035	23036	23037	23038	23039	23040	23041	23042

VANTAGE® MAJOR ASSEMBLY

ITEM #	PART #	QPU	DESCRIPTION
1	SEE CHART	1	FRONT & DOOR
2	SEE CHART	2	SIDE PANEL VANTAGE
3	SEE CHART	1	BACK PANEL VANTAGE
4	23043	6	WHITE VENT SCREEN
5	SEE CHART	1	VENT STACK 63
6	23045	1	BASE- ROTO GRAY AX/VN
7	6037-605	1	MOLDED GRAY 3 ROLL TP HOLDER
8	5422-500	1	WHITE KEYSTONE T-22 TOP
9	4028-605	1	URINAL: SMALL
10	23046	1	TANK- 60- GAL ROTO AX/VN
11*	1940-699	7	SCREW: 1/4-20 X1" PHD PAN SS
12	1934-699	1	SHOULDER SCREW 1/4" D X 2"
13	1923-699	21	SCREW: LAG 1/4" X 1- 1/2" HEAD
14*	1821-699	76	RIVET: TRI-CLAMP AL0625ATB
15*	1816-699	12	RIVET: ABL66A
16*	1814-699	1	RIVET: ABL0640 (VENT STACK)
17*	1808-699	10	RIVET: 688 TRI-BULB(TRI-CLAMP)
18*	1771-699	1	NUT: 10-24 HEX SS NYLON INSERT
19	1753-699	7	JACKNUT 1/4-20
20*	1713-699	14	WASHER: 1/4" STAINLESS FLAT
21*	1709-699	15	WASHER: WHITE PLASTIC 1/4"ID
22*	1705-699	13	WASHER: ALUMINUM 3/16
23	1093-699	2	LOCK BRACKET (AXXIS)
24	1081-799	1	ROTARY DOOR LATCH WITH LABEL
25	1051-699	1	TOILET PAPER ROD FOR 3 ROLL
26	1038-699	1	PADLOCK (55/25) WITH KEY (5253)
27	1033-699	1	MIRROR 6" X 8" STAINLESS STEEL
28	1029-699	1	COAT HOOK
29	10570	1	SEAT- TOILET TUF/FRE/LIB BLACK
30	1080-699	1	DOOR / HOVER HANDLE
31	1021-699	3	HINGE: SPRING LOADED
32*	1827-699	12	RIVET: SSB68S SPRING HINGE
33	1701-699	12	WASHER: .1951"D X .625" OD



VANTAGE TOILET SPECIFICATIONS

HEIGHT KEYSTONE ROOF: 92" (2336MM)

STANDARD TANK VOLUME: 60 GAL (227L)

LENGTH: 47" (1194MM)

FLOOR SPACE: 41"-21" (1041MM X 533MM)

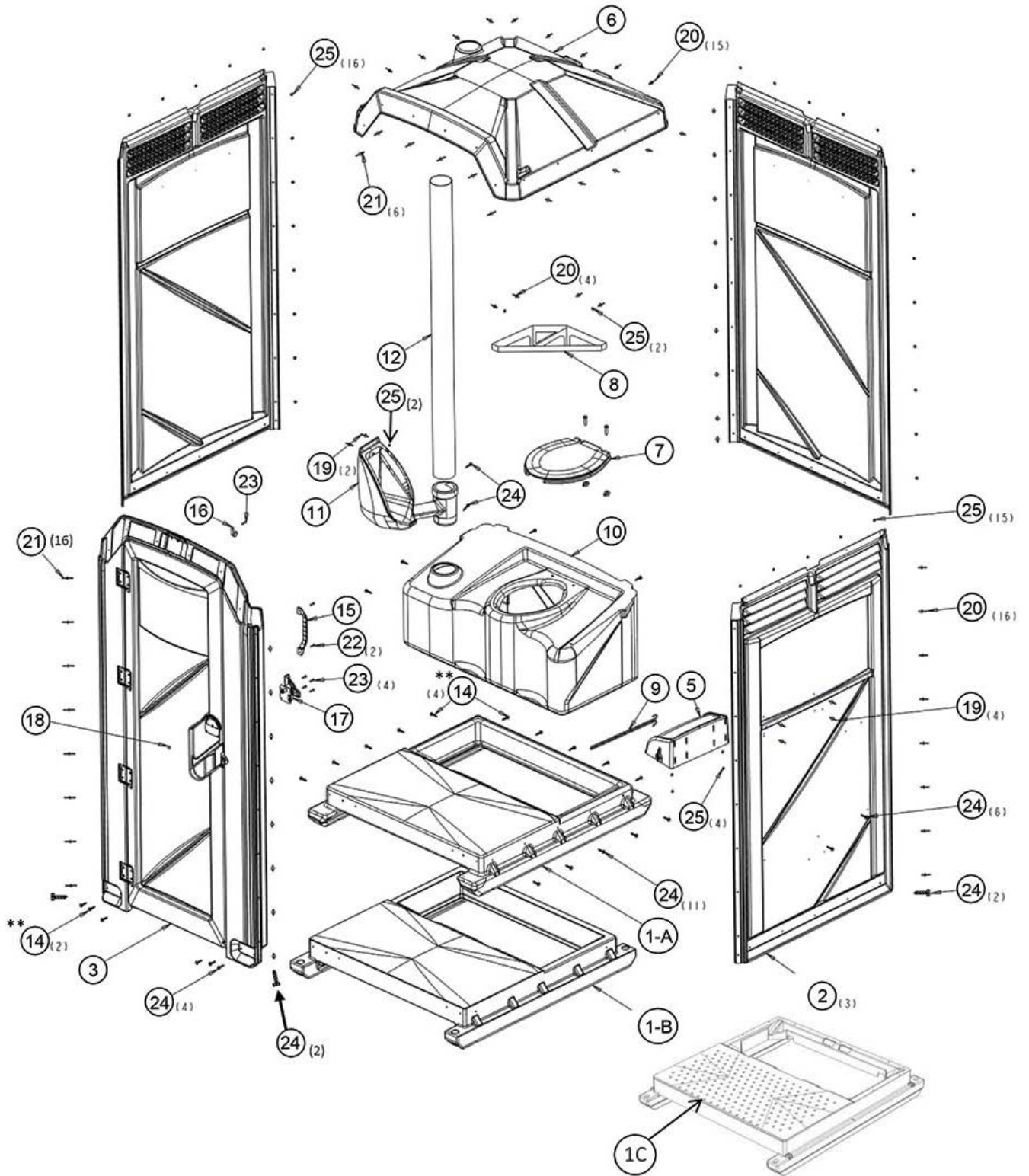
WIDTH: 43" (1092MM)

SEAT HEIGHT: 18" (457MM)

WEIGHT (ROTO BASE): 200 lbs (75kg)

DOOR SPACING: 73" X 24" (1854MM) X 610MM)

MAXIM 2000® II MAJOR ASSEMBLY



TO ORDER CUSTOM COLORS

-1-

MINIMUM ORDER QUANTITY OF 300 IN ORDER

-2-

4-6 WEEKS LEAD FROM THE TIME FROM ORDER RELEASE

-3-

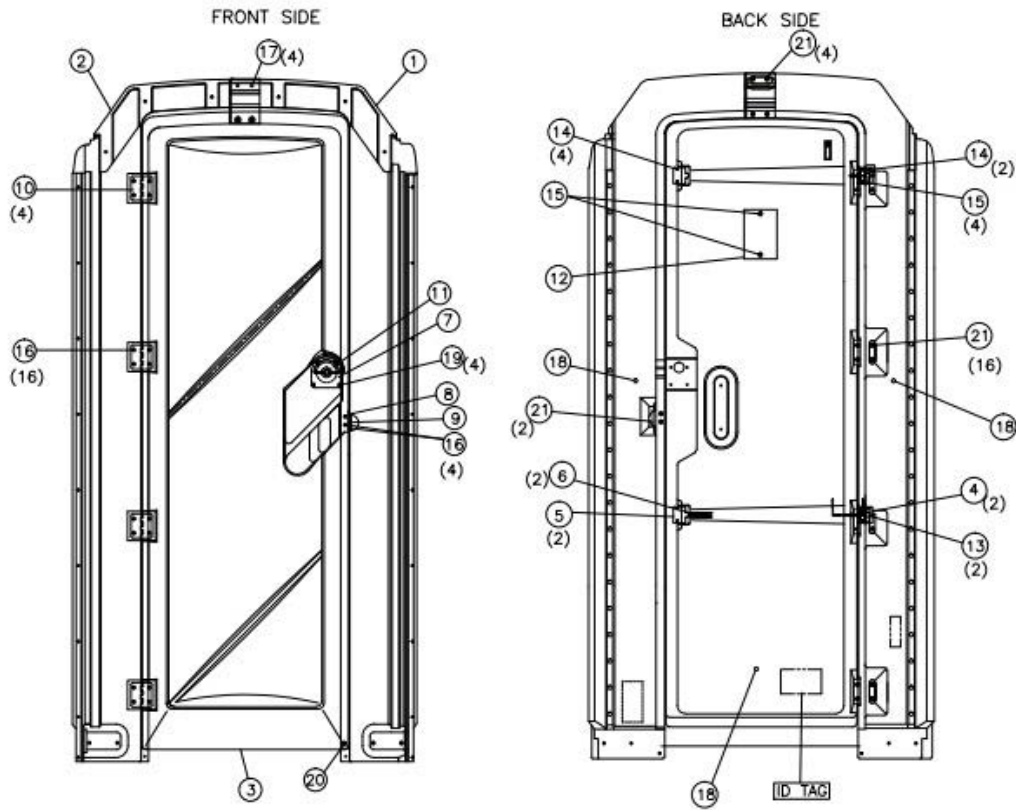
CONTACT AREA MANAGERS FOR MORE DETAILS AND PRICING

MAXIM 2000® II MAJOR ASSEMBLY

ITEM #	PART #	QPU	DESCRIPTION
1	23169	1	BASE ASSY- IMPACT SOLID EU
2	MTO	2	CORNER COVER DRILLED
2	MTO	3	PANEL- MAXIM 2000 II
3	MTO	1	FRONT ASSY- MAXIM 2000 II
	16202	1	HDWE- MX2 II
5	17082	1	HOOD-PAPERGUARD 2 ROLL
	17037	1	KIT- PAPERGRD 2 ROLL EXP RVT
	22336	1	KIT- PAPERGRD II 3 ROLL EXP RVT
6	16167	1	ROOF- MX2 II
7	14959	1	SEAT- ELONG MX2/MX3/TRS/HT <small>(GB BLK OLD TANKS PRE-05-11)</small>
	19196	1	KIT- TOILET SEAT 2-1/2 BOLT/NUT SET
8	16075	2	SHELF- MX2 & TUFWAY <small>(KIT# 17371)</small>
9	16844	1	SPINDLE-PAPERGUARD 2 ROLL META
10	14765	1	TANK- MX2 GREY
11	14119	1	URINAL- STANDOVER DGRY
12	14133	1	VENT PIPE- 4 X 62-1/2 GREY
13	13860	10	SCREW- #14 X 1- 1/2 WITH WSH GOLD
14		6	BOLT-1/4-20X1-1/4 DOG PNT WSH
15	16807	1	HANDLE- PLASTIC HOVER <small>(LATE 2017 TO PRESENT)</small>
16	10891	1	HOOK- FLAT COAT STNLS
17	14767	1	LATCH- RESTROOM PLASTIC
18	10161	1	PLUG- 1/2 INDICATOR BLACK PLST
19	11054	6	RIVET- #68 AAL POP
20*	11030	35	RIVET- #66 AAL POP
21*	14427	22	RIVET- #66 LSH WITH LOCK MANDREL
22*	17030	2	RIVET- AVDEL BLACK
23*	18755	5	SCREW- #14 X 1-1/2 WITH WSH GOLD
24*	13860	34	SCREW- #14 X 1- 1/2 WITH WSH GOLD
25*	11315	41	WASHER- 3/16 RIVET STNLS
26*	15337	12	RIVET- .195IN PLASTIC EXPANDNG
27	14112	6	SCREEN- 3.8 X 15.25 PLSTC VENT
	16186	1	INSTRUCTIONS- MAXIM 2000 II <small>(SEE WEBSITE)</small>

* Only sold in multiples of 100 - availability limited- call for details

MAXIM 2000® II FRONT ASSEMBLY



ITEM #	PART #	QPU	DESCRIPTION
1		1	FACING- MAX2 HASP
2		1	FACING- MAX2 HINGE
3		1	DOOR- MAX2 II
4	14770	2	BRACKET- MAXIM CABLE ANCHOR
5	10511	2	BRACKET- SPRING ANCHOR TUFWAY
6	14649	2	CLOSURE ASSY- DOOR MX2/TM II
7	13415	1	COVER- INDICATOR BLACK
8	13199	1	HASP 3/16" RIVET HOLE FACING (L SHAPED)
9	15059	1	HASP- FLAT 1-3/4IN LONG
10	13266	4	HINGE DOOR STNLS ROUND CORNER
11	15630	1	INDICATOR- UNIVERSAL DGRY
12	14474	1	MIRROR- 4 X 6 STNLS STEEL
13*	14803	2	PLUG- 3/8 HOLE
14*	18755	6	RIVET- AVDEL SILVER LONG
15*	12393	6	RIVET- #64 AAP POP
16*	11270	20	RIVET- #68 STNLS
17*	10812	4	RIVET- #612 ALUM
18	21131	3	RIVET- PINE TREE 3/8 BLACK
19*	10804	4	SCREW- #8 X 3/4 PHPN TAP
20*	12007	1	SCREW- #10 X 1-1/4 PN PH TAP
21*	11315	22	WASHER- 3/16 RIVET STNLS
	14198		KIT- LATCH & INDICATOR (TUFWAY, MAXIM 2000 & LIBERTY) CONTAINS:
	10122	4	SCREW, #10 X 3/4" PN PH TAP
	10804	4	SCREW, #8 X 3/4" TAP GOLD

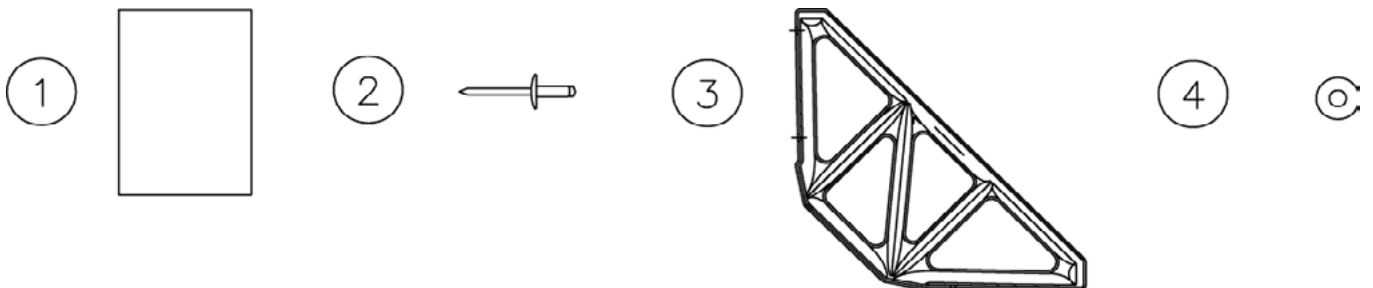
MAXIM 2000® II FRONT ASSEMBLY

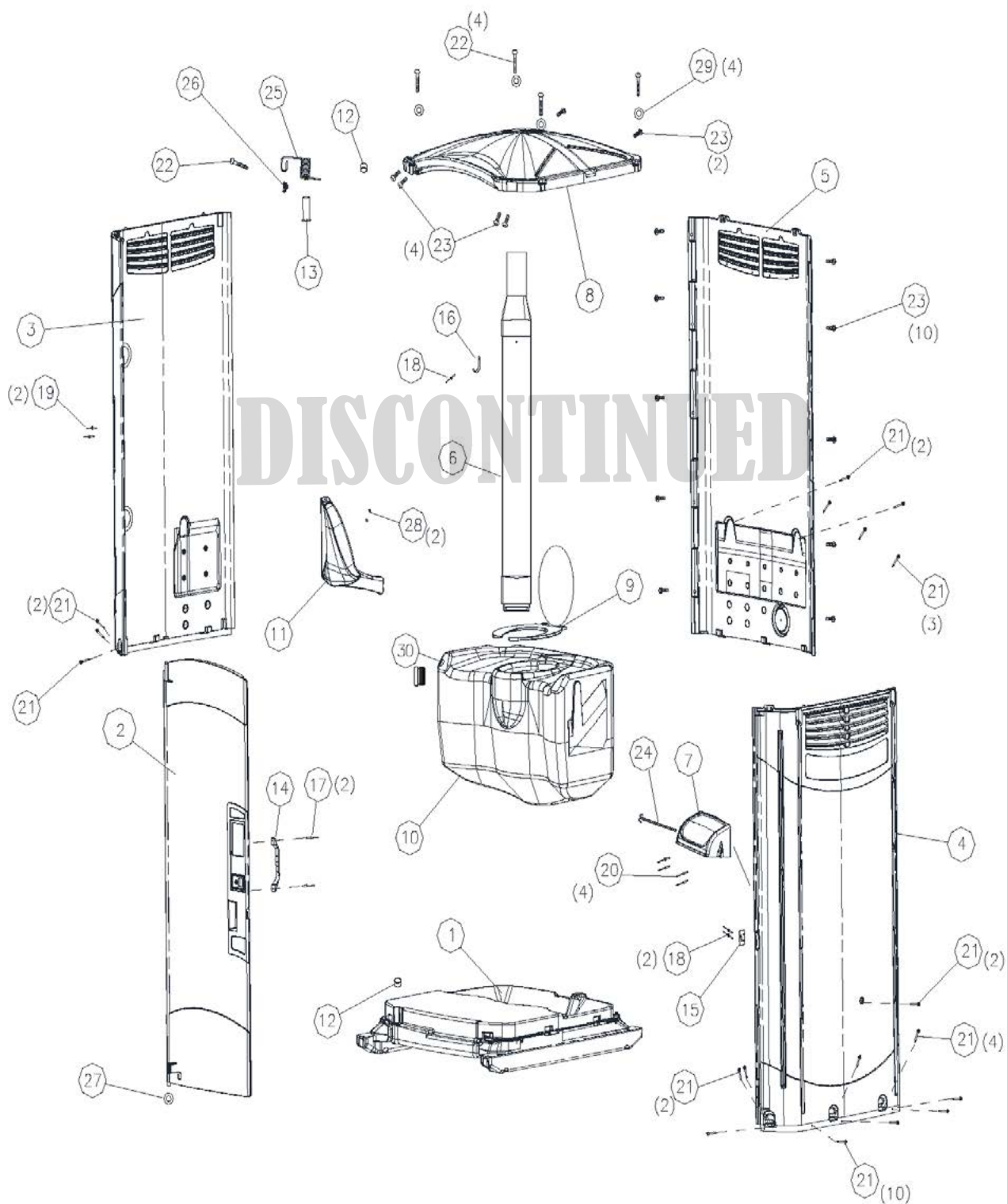
ITEM #	PART #	QPU	DESCRIPTION
	10131	4	U-NUT, NO THREADS
	10161	1	PLUG, 1/2" ROUND BLACK PLASTIC
	14767	1	LATCH, RESTROOM PLASTIC
	15630	1	INDICATOR, UNIVERSAL
	13415	1	COVER, INDICATOR BLACK
	15391		KIT- PLASTIC DOOR LATCH (TUFWAY, MAXIM 2000 & LIBERTY) CONTAINS:
	10131	4	U-NUT. NO THREADS
	10122	4	SCREW. #10 X 3/4" PN PH TAP
	17436	4	RIVET. AVDEL SILVER
	14767	1	LATCH, RESTROOM PLASTIC
	13726		KIT- UNIVERSAL INDICATOR (TUFWAY, MAXIM 2000 & LIBERTY)
	10804	4	SCREW, #8 X 3/4" TAP GOLD
	10161	1	PLUG, 1/2" ROUND BLACK PLASTIC
	15630	1	INDICATOR, UNIVERSAL
	13415	1	1 COVER, INDICATOR BLACK

MAXIM 2000® II SHELF KIT

ITEM #	PART #	QPU	DESCRIPTION
	17371		KIT- MAXIM II / TUFWAY SHELF
1	17455		INSTRUCTIONS - SHELF (SEE WEBSITE)
2*	11030	4	RIVET- #66 AAL POP
3	16075	1	SHELF- MX2 & TUFWAY
4*	11315	2	WASHER- 3/16 RIVET STNLS

* ONLY SOLD IN MULTIPLES OF 100





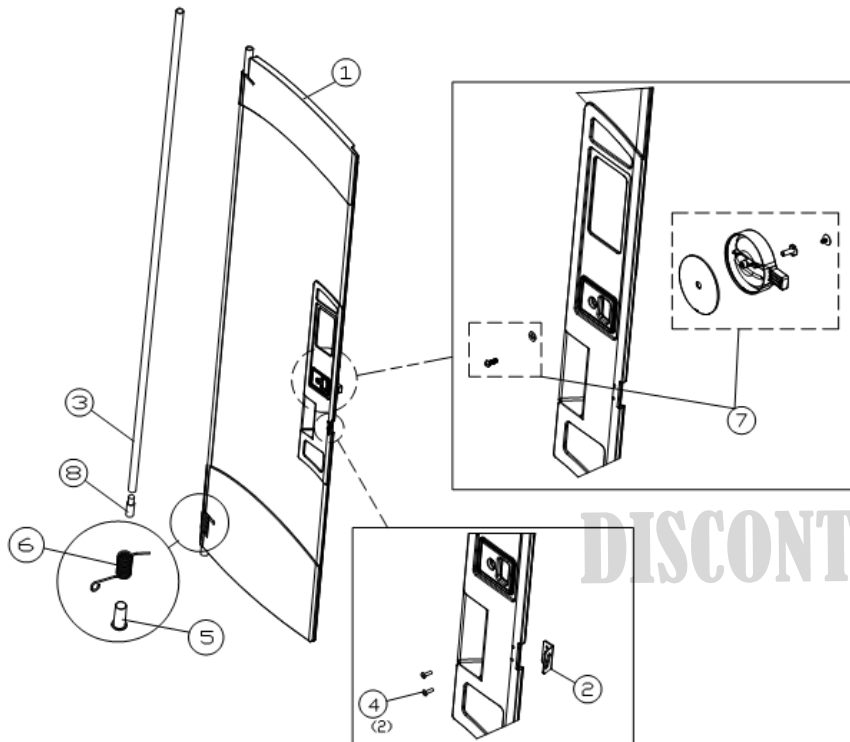
	TEAL	ROYAL BLUE	SAND	FOREST GREEN	GRANITE	GREY
DOOR ASSY PART #	17594	17592	17593	17589	17591	17590
RIGHT PANEL ASSY PART #	17609	17607	17608	17605	17606	21202
LEFT PANEL ASSY PART #	17599	17597	17598	17595	17596	21201
REAR PANEL ASSY PART #	17604	17602	17603	17600	17601	21203
VENT PIPE PART #	19063	19061	19062	19058	19060	19059

* NOTE: Since this product is discontinued not all colors are still available. Please enquire with Customer Service.

MAXIM 3000® MAJOR ASSEMBLY DISCONTINUED IN 2016

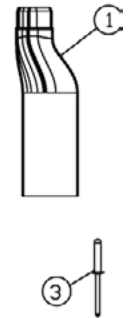
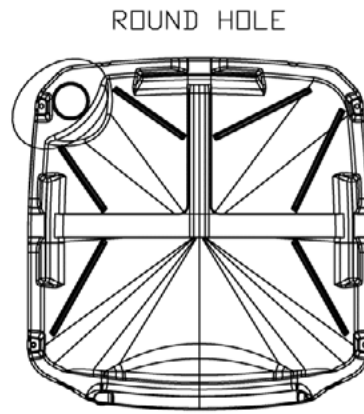
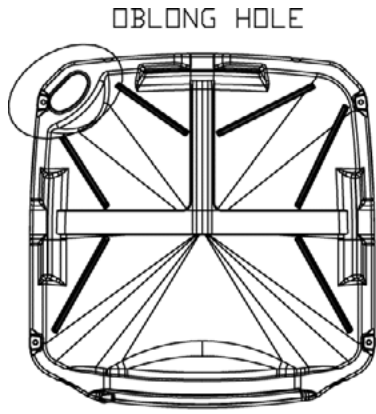
REV Q ITEM #	PART #	QPU	DESCRIPTION
1	19015	1	BASE- MAX3000 ROTOMOLDED
2	SEE CHART	1	DOOR ASSY MAX3000A
3	SEE CHART	1	PANEL ASSY- MAX3000A LEFT
4	SEE CHART	1	PANEL ASSY- MAX3000A RIGHT
5	SEE CHART	1	PANEL ASSY- MAX3000A REAR
6	SEE CHART	1	VENT PIPE- MAX3000B (ROUND)
7	17082	1	HOOD-PAPERGUARD 2 ROLL
	17037	1	KIT- PAPERGRD 2 ROLL EXPAN RVT
	22336	1	KIT- PAPERGRD II 3 ROLL EXP RVT
8	19049	1	ROOF-MX3 ROUND VENT HOLE (ADAPTER KIT 19103)
9	14959	1	SEAT- ELONG MX2/MX3/TRS/HT (GB BLK OLD TANKS PRE-05-11)
	19196	1	KIT- TOILET SEAT 2-1/2 BOLT/NUT SET
10	16690	1	TANK- MX3
	20593	1	TANK- MX3 HANDFLUSH FLIPTOP
	20595	1	TANK- MX3 FOOTFLUSH FLIPTOP
11	16794	1	URINAL- MAX3000
12	17617	2	BUSHING- MX3 DOOR 1.25 DGRY
	16831	2	BUSHING- MX3 DOOR PVT 3/4 DGRY (PRIOR TO 2002)
13	16832	1	BUSHING- MX3 DOOR SPRING
14	16807	1	HANDLE- MX3 PLASTIC
15	16839	1	HASP- FLAT 2-1/2IN LONG
16	10891	1	HOOK- FLAT COAT STNLS
17*	17030	2	RIVET- AVDEL BLACK
18*	17436	3	RIVET- AVDEL SILVER
19*	11027	2	RIVET- #66 ALUM
20*	18543	4	RIVET- 3/16 T PEEL
21*	13860		SCREW- #14 X 1-1/2 WITH WSH GOLD
22*	16809		SCREW- 5/16-18 X 1-1/2 TORX
23	16808		SCREW- 5/16-18 X 7/8 TORX
24	16844	1	SPINDLE- PAPERGRD 2 ROLL METAL
25	17627	1	SPRING- MX3A DOOR UPPER (HEAVY #16872)
26	14880	1	U-NUT- 5/16-18
27*	17130	1	WASHER- 1IN ID NYLON
28*	11315	2	WASHER- 3/16 RIVET STNLS
29*	17626	4	WASHER- 5/16 RUBBER CLAD
30	17224	1	PLUG- 1-5/8 ROUND HOLE (URINAL)

* Only sold in multiples of 100



ITEM #	PART #	QPU	DESCRIPTION
1		1	DOOR ASSY- MX3
	22431	1	KIT- TUBE MX3 DOOR WITH INSERT
2	16838	1	HASP- ANGLED 1-3/4 LONG
8	22217	1	INSERT- REPAIR MX3 DOOR TUBE (used with item# 16830 only)
3	16830	1	TUBE- 1 X 79-5/8 (will need item# 22217)
4*	11270	2	RIVET- #68 STNLS
5	16832	1	BUSHING- MX3 DOOR SPRING
6	17621	1	SPRING- MX3A DO OR LOWER
7	W	1	KIT- MX3 LATCH REPLACEMENT
	13216	1	BOLT, 1/4-20 X 3/4 SLOT PNHD
	16835	1	HANDLE, ROTARY LATCH
	17031	1	INDICATOR, ROTARY LATCH WITH DCAL
	17167	1	INSTRUCTION, MX3 LATCH REPLAC
	15341	1	LOCTITE, 0.02 OZ RC/680
	14762	1	RIVET, 3/16 RATCHETING
	14764	1	T-NUT, 1/4-20
	12382	1	WASHER, 1/4 FLAT STNLS
* Only sold in multiples of 100			

MAXIM 3000® VENT PIPE ADAPTER DISCONTINUED IN 2016



NO FIX FOR ROUND VENT PIPE TO OBLONG VENT PIPE HOLE ROOF.

IF VENT PIPE IS FOR OBLONG ROOF HOLE AND ROOF HAS ROUND HOLE USE #19103 KIT FOR FIX.

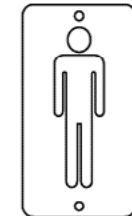
ITEM #	PART #	QPU	DESCRIPTION
	19103	1	KIT- MX3 VENT PIPE ADAPTER
1		1	ADAPTER- MX3 VENT PIPE GREY
3*	17436	2	RIVET- AVDEL SILVER
	19105	1	INSTRUCTIONS- MX3 VP ADAPTER (SEE WEBSITE)

* Only sold in multiples of 100

MAXIM 3000® GENDER INDICATOR



PN 14791



PN 17125



PN 14792



PN 18534



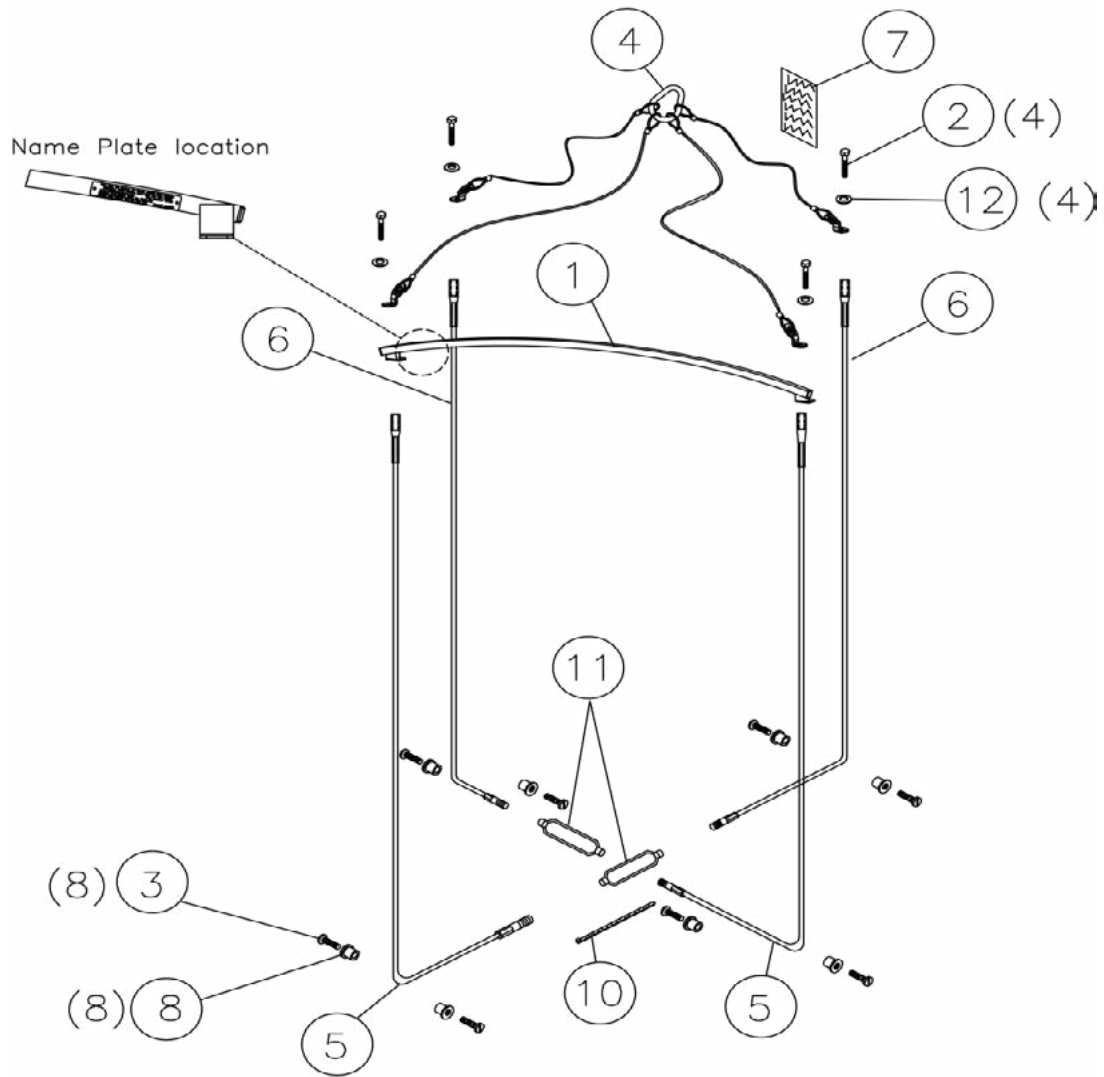
PN 14985



PN 14332

ITEM #	PART #	QPU	DESCRIPTION
	17381	1	KIT- GENDER INDICATOR
1	14791		INSERT- #10-24 JACK NUT
2	18534		INSTRUCTION- GENDER INDICATOR (SEE WEBSITE)
3	17125		PLATE- GENDER INDICATOR (MALE/FEMALE)
4*	14985		SCREW- #10-24 X 5/8 STNLS PHPN
5*	14792		SCREW- #10-24 X 1 HEX PLTD
6	14332		WRENCH- JACK NUT

* Only sold in multiples of 100

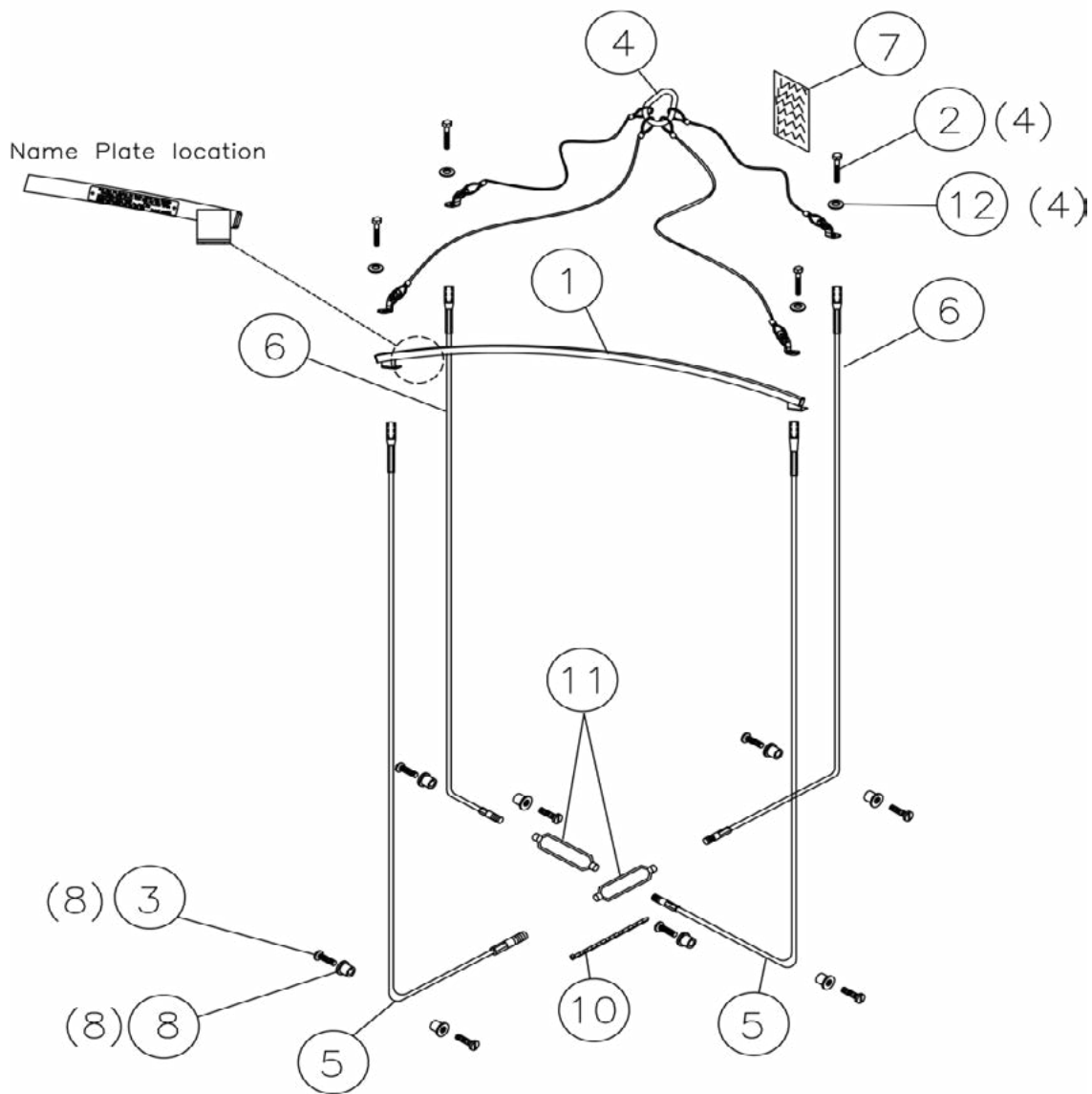


ITEM #	PART #	QPU	DESCRIPTION
	17151	1	KIT- MX3 WET LIFT
1	17159	1	BAR- MAX3000 WET LIFT SPREADER
2	17150	4	BOLT- 5/16-18 X 2-1/2 PLTD HEX
3*	13216	8	BOLT- 1/4-20 X 3/4 SLOT PNHD
4	17148	1	CABLE ASSY- WET LIFT
5	17153	2	CABLE 1/8 X 104.25 RH THRDS (RED)
6	17154	2	CABLE 1/8 X 104.25 LH THRDS (GREEN)
7	17155	1	DECAL- MX3 WET LIFT WARNING
8	17156	8	INSERT- 1/4-20 X 1/2 WELLNUT
10	11261	1	TIE- WIRE 6IN
11	17157	2	TURNBUCKLE- 1/4-20 X 4-3/4
12*	11368	4	WASHER- 5/16 FLAT STNLS
	17152	1	INSTRUCTIONS- MAX3000 WET LIFT (SEE WEBSITE)

* Only sold in multiples of 100

* Only works with discontinued Maxim 3000 I

MAXIM 3000® WET MARINE LIFT KIT DISCONTINUED IN 2016

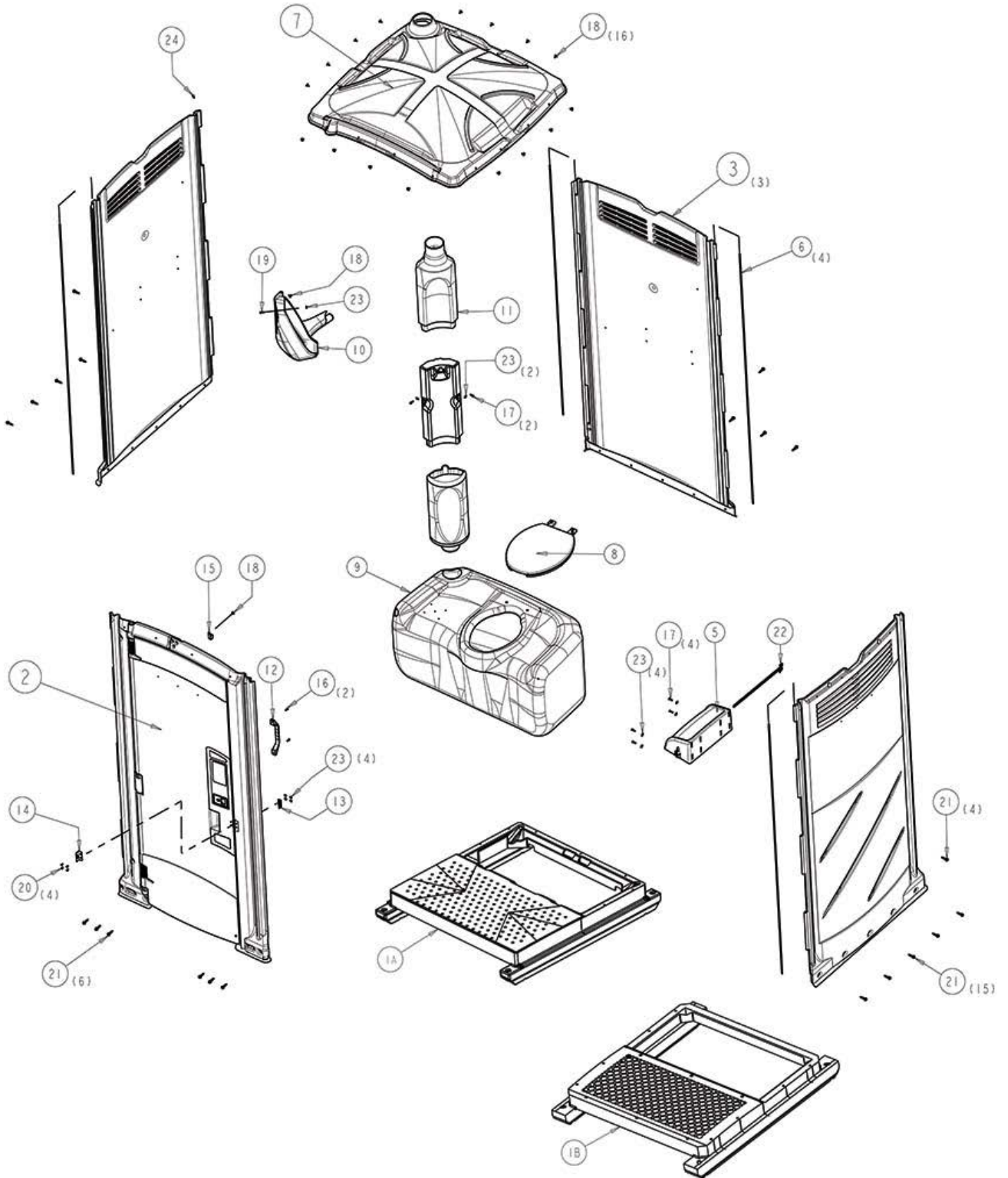


ITEM #	PART #	QPU	DESCRIPTION
	20360	1	KIT- MX3 WET LIFT MARINE STNLS
1	20351	1	BAR- MX3 WET LIFT SPREADR GALV
2	13216	8	BOLT- 1/4-20 X 3/4 SLOT PNHD
3	17150	4	BOLT- 5/16-18 X 2-1/2 PLTD HEX
4	20353	2	CABLE- 5/32 X 104.25 RH STNLS
5	20352	2	CABLE- 5/32 X 104.25 LH STNLS
6	17148	1	CABLE ASSY- WET LIFT
7	17155	1	DECAL- MX3 WET LIFT WARNING
8	17156	8	INSERT- 1/4-20 X 1/2 WELLNUT
9	17152	1	INSTRUCTION- MX3 WET LIFT ^(SEE WEBSITE)
10	20354	2	TURNBUCKLE- 1/4-20 X 4-3/4 SS
11	11261	1	TIE- WIRE 6IN
12*	11368	4	WASHER- 5/16 FLAT STNLS

* Only sold in multiples of 100

* Only works with discontinued Maxim 3000 I

MAXIM 3000 II® MAJOR ASSEMBLY SINCE 2016



MAXIM 3000® COLOR CHART

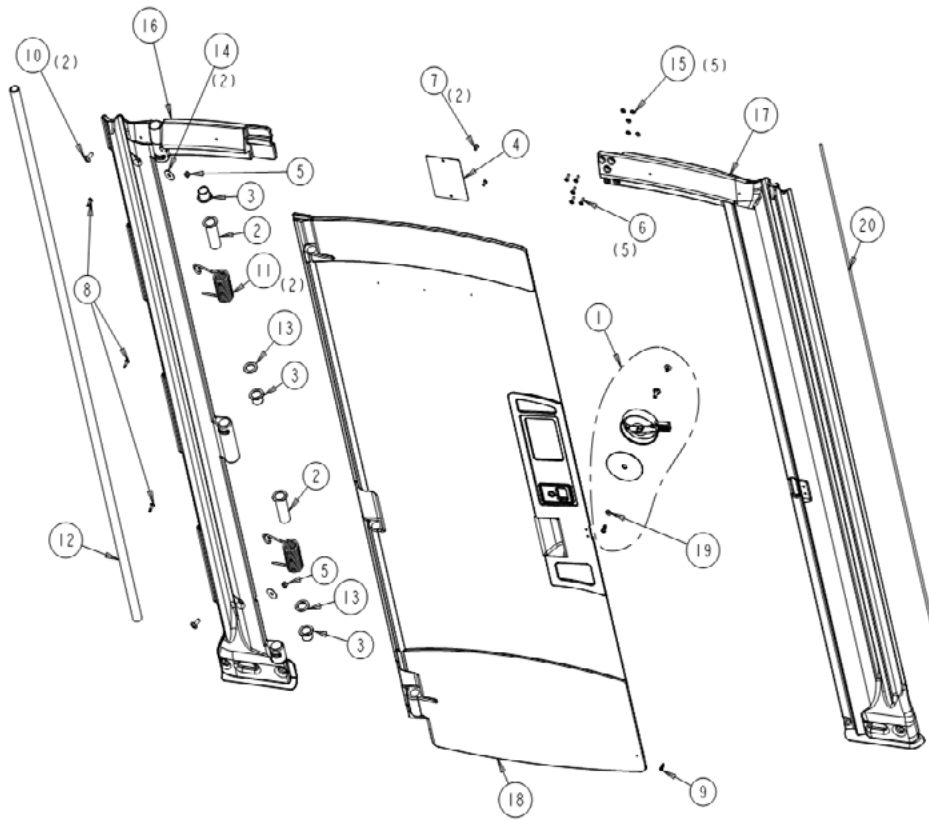
	TEAL	ROYAL BLUE	SAND	FOREST GREEN	GRANITE	GREY	PINK
DOOR ASSY PART #	22184	22182	22183	22180	22181	22187	22268
PANEL ASSY PART #	22179	22177	22178	22175	22176	22188	22267

MAXIM 3000 II® MAJOR ASSEMBLY SINCE 2016

ITEM #	PART #	QPU	DESCRIPTION
1A	23169	1	BASE ASSY- IMPACT SOLID EU
1B	23168	1	BASE ASSY- IMPACT GRID EU
2	SEE CHART	1	MAXIM 3000 II FRT ASSY
3	SEE CHART	3	MAXIM 3000 II PANEL
	23616	1	HDWE- MAXIM 3000 II 2 ROLL EU
5	17082	1	HOOD-PAPERGUARD 2 ROLL
	22209	1	HOOD-PAPERGUARD 3 ROLL ^(OPTIONAL)
6	18681	4	ROD- FIBERGLASS 72
7	22191	1	ROOF- MAXIM 3000 II NATURAL
8	14959	1	SEAT- ELONG MX2/MX3/TRS/HT BLK
9	22192	1	TANK- MAXIM 3000 II DGRY
	22307	1	TANK- MX3 II FLIPTOP
10	22193	1	URINAL- MAXIM 3000 II DGRY
11	22194	1	VENT PIPE- MAXIM 3000 II 3PC
	22383	1	PLUG- URINAL MX3 3000 II ^(WHEN REMOVING URINAL)
12	16807	1	HANDLE- PLASTIC HOVER
13	13197	1	HASP- 3/16 RIVET HOLE DOOR
14	13199	1	HASP- 3/16 RIVET HOLE FACING
15	10891	1	HOOK- FLAT COAT STNLS
16	17030	2	RIVET- AVDEL BLACK
17	18543	8	RIVET- 3/16 T PEEL
18	22199	18	RIVET- 3/16 TRIFIX ALUM LF
19	11024	1	RIVET- #610 AAP
20	11270	4	RIVET- #68 STNLS
21	13860	25	SCREW- #14 X 1-1/2 WITH WSH GOLD
22	16844	1	SPINDLE-PAPERGUARD 2 ROLL META
	22310	1	SPINDLE- PRGRD II 3 ROLL META ^{L(OPTIONAL)}
23	11315	12	WASHER- 3/16 RIVET STNLS
24	22476	1	SCREW- #10 X 1" PHPN TAP PLTD
			INSTRUCTIONS- MAXIM 3000 II ^(SEE WEBSITE)

* ONLY SOLD IN MULTIPLES OF 100

MAXIM 3000 II® FRONT ASSEMBLY SINCE AUGUST 2016

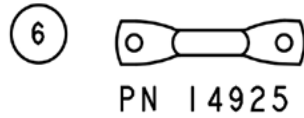
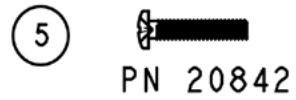
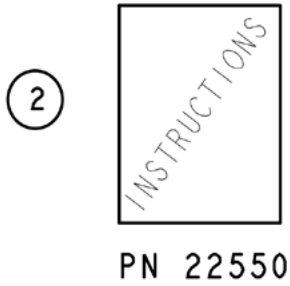


ITEM #	PART #	QPU	DESCRIPTION
		1	DOOR ASSY - MX3
1*	17168	1	KIT- MX3 LATCH REPLACEMENT
	13216	1	BOLT, 1/4-20 X 3/4 SLOT PNHD
	16835	1	HANDLE, ROTARY LATCH
	17031	1	INDICATOR, ROTARY LATCH WITH DCAL
	17167	1	INSTRUCTION, MX3 LATCH REPLAC
	15341	1	LOCTITE, 0.02 OZ RC/680
	14762	1	RIVET, 3/16 RATCHETING
	14764	1	T-NUT, 1/4-20
	12382	1	WASHER, 1/4 FLAT STNLS
2	22190	2	BUSHING- MAXIM 3000 II DR SPRG
3	22196	3	BUSHING- MAXIM 3000 II DR TUBE
4	16835	1	MIRROR- 4 X 6 STNLS STEEL
5*	20840	2	NUT- 5/16-18 NYLOC STNLE
6*	22207	5	RIVET- #68 AAP POP
7*	11027	2	RIVET- #66 ALUM
8*	17436	3	RIVET- AVDEL SILVER
9*	10122	1	SCREW- #10 X 3/4 PHPN TAP PLTD

MAXIM 3000 II® FRONT ASSEMBLY SINCE AUGUST 2016

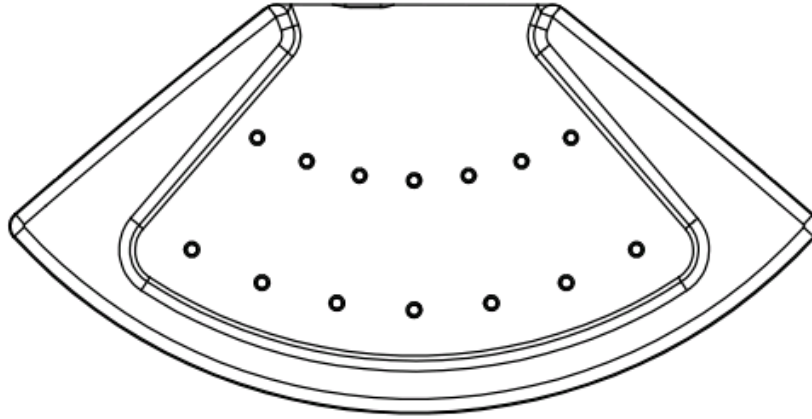
ITEM #	PART #	QPU	DESCRIPTION
10	16808	2	SCREW- 5/16-18 X 7/8 TORX
11	22197	2	SPRING- MAXIM 3000 II DR TORS
12	22198	1	TUBE- MAXIM 3000 II DOOR 1x77
13*	17130	2	WASHER- 1in ID NYLON
14*	22206	2	WASHER- 5/16 ID FENDER STNLS
15*	11315	5	WASHER- 3/16 RIVET STNLS
16		1	DESIGN MAXIM 3000 II HINGE FACING
17		1	DESIGN MAXIM 3000 II HASP FACING
18		1	DESIGN MAXIM 3000 II DOOR
19	18681	1	ROD- FIBERGLASS 72

MAXIM 3000 II DRY LIFT KIT



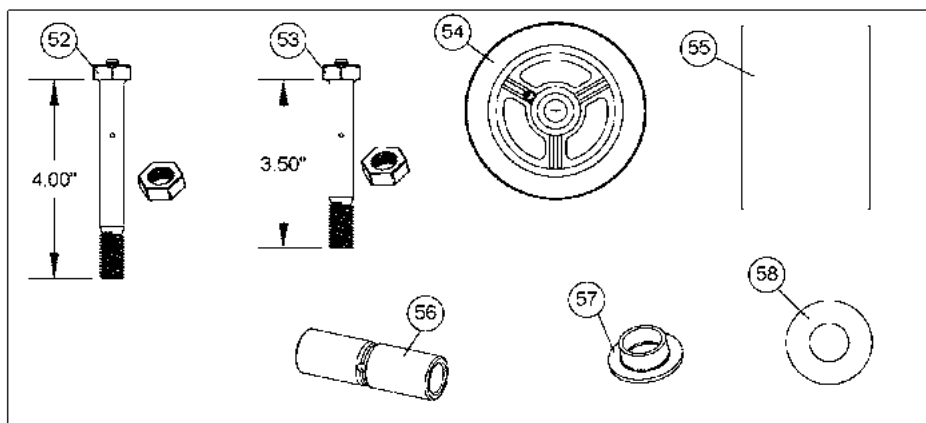
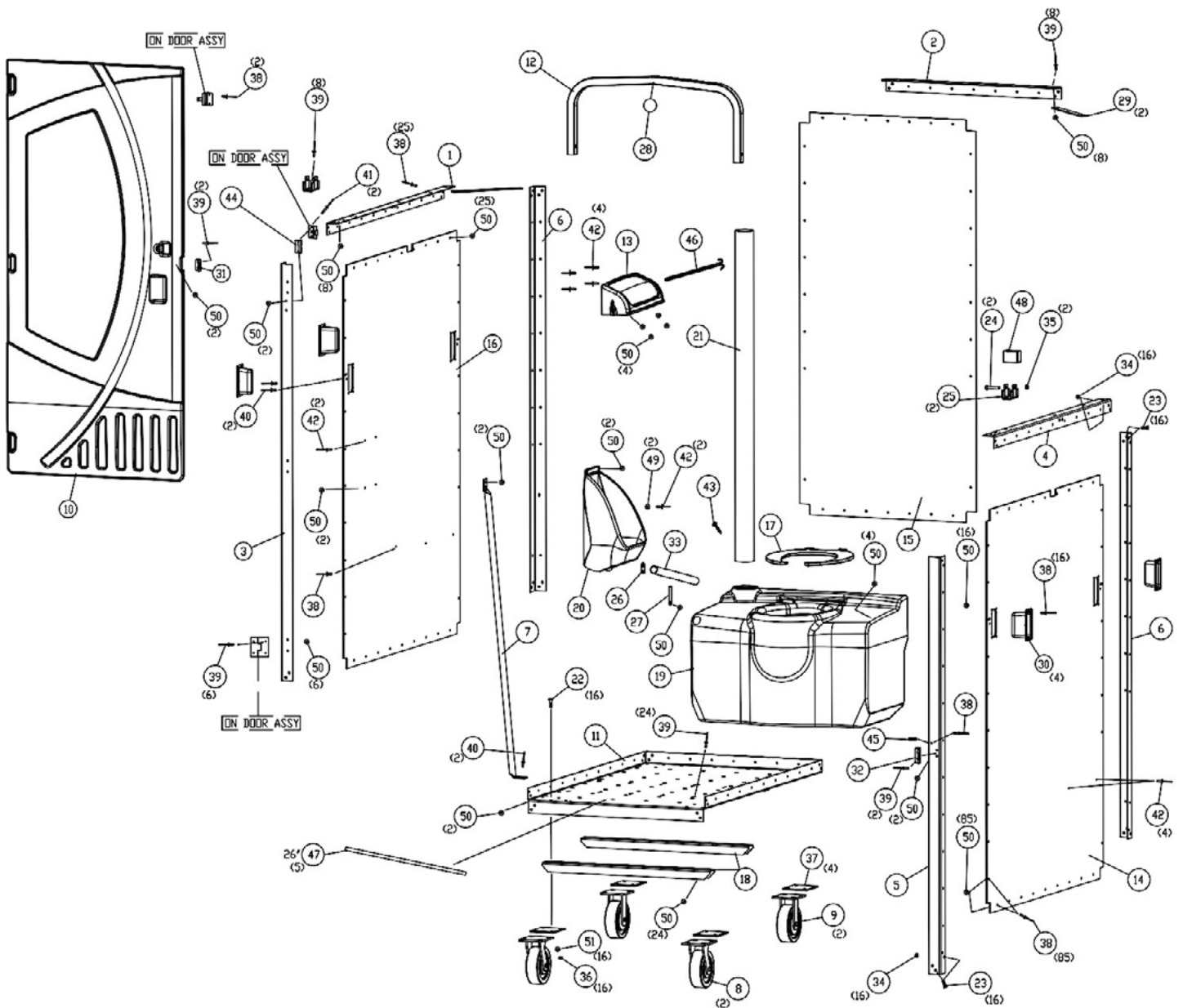
ITEM #	PART #	QPU	DESCRIPTION
	22551	1	KIT- MAXIM 3000 II DRY LIFT
1	16405	2	BRACKET, MAXIM DRY LIFT
2	22550	1	INSTRUCTION, NX3 II DRY LIFT
3	20903	8	NUT, #10-24 NYLOC STNLS
4	14926	2	RING, LIFTING
5	20842	8	SCREW, #10-24 X 1-1/4 PH STNLS
6	14925	2	STRAP, 2-1/4 RI G TIE PLTD
7	11315	12	WASHER, 3/16 RIVET STNLS
8	11360	4	WASHER, 1/4 ID FENDER STNLS

MAXIM 3000® II SHELF



ITEM #	PART #	QPU	DESCRIPTION
	22344	1	KIT- MAXIM 3000 II SHELF
	22345	1	INSTRUCTIONS,
	17436	4	RIVET, AVDEL SILVER
	22210	1	SHELF, MAXIM 3000 II DGRY

HIGHRISE™ MAJOR ASSEMBLY



HIGHRISE™ MAJOR ASSEMBLY

ITEM #	PART #	QPU	DESCRIPTION
STANDARD HIGH-RISE PARTS			
1	20798	1	ANGLE- 51-1/2 HOR HIGH RISE LH
2	20799	1	ANGLE- 30 HORIZ HIGH RISE
3	20800	1	ANGLE- 67 VERT HIGH RISE HINGE
4	20849	1	ANGLE- 51-1/2 HOR HIGH RISE RH
5	20850	1	ANGLE- 67 VERT HIGH RISE HASP
6	20851	2	ANGLE- 67 VERT HIGH RISE REAR
7	20808	1	BRACE- DOOR FRAME HIGH RISE
8	20812	2	CASTER- 2 X 6 SWIVEL HIGH RISE (FRONT)
9	20813	2	CASTER- 2 X 6 RIGID HIGH RISE (BACK)
	22071	4	CASTER WHEEL- 2 X 6 HIGH RISE
10	20803	1	DOOR ASSY- HIGH RISE PBLU
11	20797	1	FLOOR- HIGH RISE
12	20806	1	FRAME- PROP HIGH RISE
	20848	1	HDWE- HIGH RISE
13	17082	1	HOOD- PAPERGUARD 2 ROLL
14	20801	1	PANEL- HIGH RISE SIDE RT PBLU
15	20802	1	PANEL- HIGH RISE REAR PBLU
16	20882	1	PANEL- HIGH RISE SIDE LT PBLU
17	14959	1	SEAT- ELONG MX2/MX3/TRS/HT/GB BLK (OLD TANKS PRE-05-11)
	19196	1	KIT- TOILET SEAT 2-12 BOLT/NUT SET
18	20852	2	SUPPORT- HIGH RISE FLOOR
19	20814	1	TANK- 38 GALLON HIGH RISE
20	11999	1	URINAL- SPLASHGUARD GREY
21	20816	1	VENT PIPE- 3 X 53-1/2 BLACK
22*	21919	16	BOLT- 5/16-18 X 1 GR5 PLTD
23*	17385	32	BOLT- 1/4-20 X 3/4 GRD5 PLTD
24	17915	2	BOLT- 3/8-16 X 2 GRD8 PLTD
25	20807	2	BRACKET- PROP FRAME HIGH RISE
26	12588	1	CLAMP- WORMDRIVE #12
27	20817	1	CLAMP- INSULATED HIGH RISE
28	20916	1	DECAL- HIGH RISE DO NOT LIFT
29	20809	2	GUSSET- HIGH RISE CORNER
30	20810	4	HANDLE- POCKET HIGH RISE

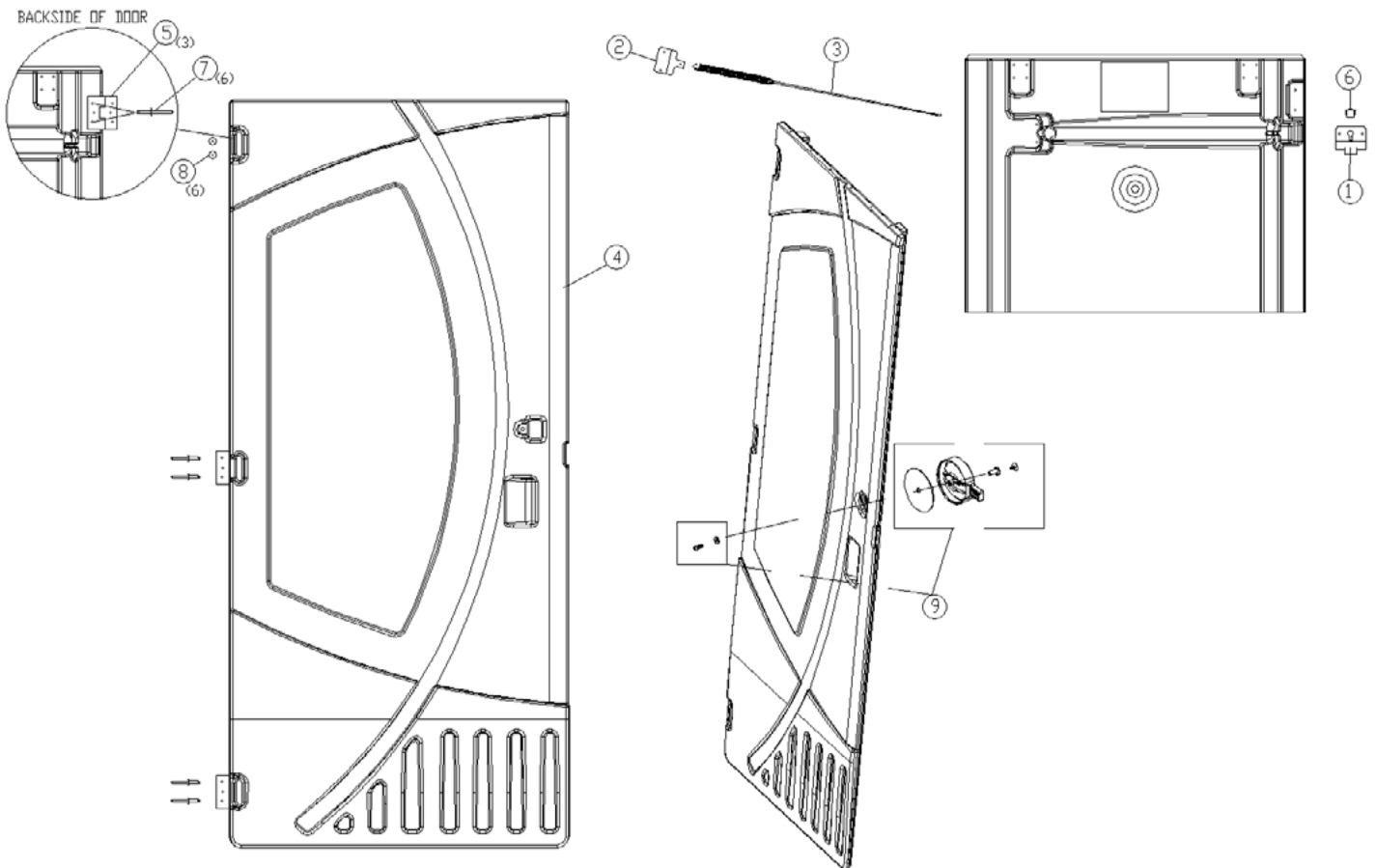
* Only sold in multiples of 100

HIGHRISE™ MAJOR ASSEMBLY

ITEM #	PART #	QPU	DESCRIPTION
31	13197	1	HASP- 3/16 RIVET HOLE DOOR
32	13199	1	HASP- 3/16 RIVET HOLE FACING
33	13417	21	HOSE- 1in ID BULK COIL (Sold in Inch)
34*	16307	32	NUT- 1/4-20 NYLOC STNLS
35	20805	2	NUT- 3/8-16 NYLOC THIN
36*	13131	16	NUT- 5/16 NYLOC
37*	20811	4	PLATE- CASTER MOUNT HIGH RISE
38*	11027	130	RIVET- #66 ALUM
39*	11270	50	RIVET- #68 STNLS
40	14351	4	RIVET- #610 CCP
41*	10812	2	RIVET- #612 ALUM
42*	11054	12	RIVET- #68 AAL POP
43*	13860	1	SCREW- #14 X 1-1/2 WITH WSH GOLD
44*	20804	1	SPACER- CABLE ANCHOR BRACKET
45	20620	1	SPACER- TM II URINAL ALUM
46	16844	1	SPINDLE- PAPERGRD 2 ROLL METAL
47	20919.	130"	STRIP- 1in ANTISLIP
48	20815	1	TUBE- HIGH RISE PROP LOCK
49*	10068	2	WASHER- RUBBER 3/32 THK
50*	11315	195	WASHER- 3/16 RIVET STNLS
51*	11364	16	WASHER- 1/4 FLAT
52	22433	1	CASTER- SWIVEL AXLE HIGH RISE
53	22436	1	CASTER- RIGID AXLE HIGH RISE
54	22071	1	CASTER WHEEL- 2 X 6 HIGH RISE
55	22435	1	INSTR- HIGH RISE LUBE CASTERS (SEE WEBSITE)
56	22437	1	CASTER- AXLE BUSHING HIGH RISE
57	22438	1	CASTER- AXLE TOP HAT HIGH RISE
58	22439	2	CASTER- AXLE WASHER HIGH RISE
	22440	1	KIT- SWIVEL CASTER AXLE HI/RIS
	22441	1	KIT- RIGID CASTER AXLE HI/RIS
	17168	1	KIT- MX3 LATCH REPLACEMENT
	13216	1	BOLT, 1/4-20 X 3/4 SLOT PNHD
	16835	1	HANDLE, ROTARY LATCH
	17031	1	INDICATOR, ROTARY LATCH WITH DCAL
	17167	1	INSTRUCTION, MX3 LATCH REPLAC
	15341	1	LOCTITE, 0.02 OZ RC/680
	14762	1	RIVET, 3/16 RATCHETING
	14764	1	T-NUT, 1/4-20
	12382	1	WASHER, 1/4 FLAT STNLS

* Only sold in multiples of 100

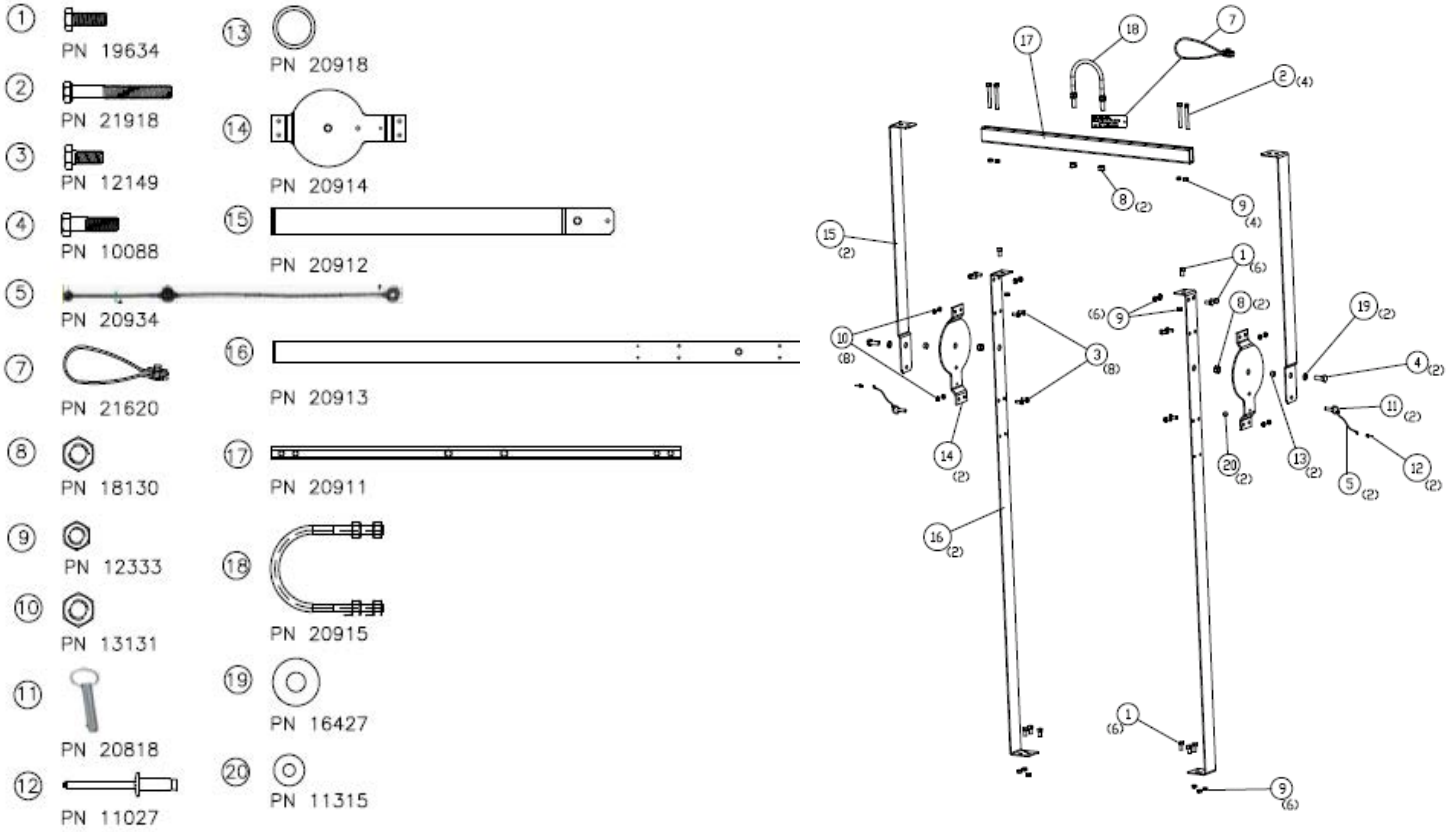
HIGHRISE™ FRONT ASSEMBLY



ITEM #	PART #	QPU	DESCRIPTION
1	10889	1	BRACKET- CABLE ANCHOR TUFWAY
2	10511	1	BRACKET- SPRING ANCHOR TUFWAY
3	10888	1	CLOSURE ASSY- TUFWAY DOOR
4	20803	1	DOOR- HIGH RISE LOWER PBLU
5	15708	3	HINGE- DOOR STNLS HEAVY NARROW
6	14803	1	PLUG- 3/8 HOLE
7*	11270	6	RIVET- #68 STNLS
8*	11315	6	WASHER- 3/16 RIVET STNLS
9	17168	1	KIT- MX3 LATCH REPLACEMENT
	13216	1	BOLT, 1/4-20 X 3/4 SLOT PNHD
	16835	1	HANDLE, ROTARY LATCH
	17031	1	INDICATOR, ROTARY LATCH WITH DCAL
	17167	1	INSTRUCTION, MX3 LATCH REPLAC
	15341	1	LOCTITE, 0.02 OZ RC/680
	14762	1	RIVET, 3/16 RATCHETING
	14764	1	T-NUT, 1/4-20
	12382	1	WASHER, 1/4 FLAT STNLS

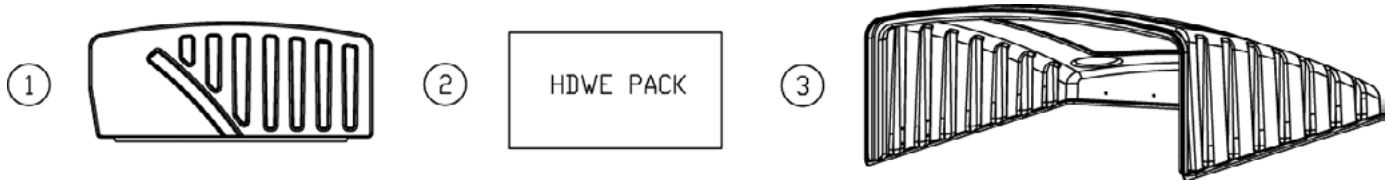
* Only sold in multiples of 100

HIGHRISE™ LIFT KIT ASSEMBLY



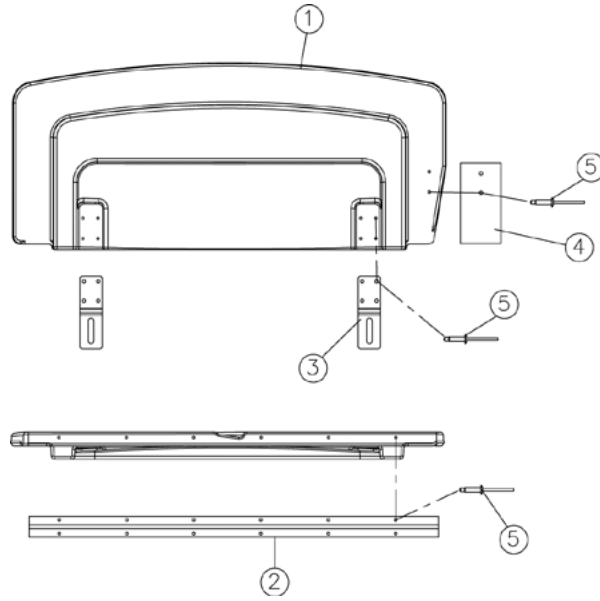
ITEM #	PART #	QPU	DESCRIPTION
	20856	1	KIT- HIGH RISE LIFT
1	19634	12	BOLT- 3/8-16 X 1 GR8 PLTD
2	21918	4	BOLT- 3/8-16 X 3 GR5 PLTD
3*	12149	8	BOLT- 5/16-18 X 3/4 HXHD GR5
4*	10088	2	BOLT- 1/2-13 X 1-1/4 GR8 PLTD
5	20934	2	CABLE- RING PIN NYLON U-LOCK
6	20963	1	INSTRUCTION- HIGH RISE LIFT (SEE WEBSITE)
7	21620	1	KIT- NAME PLATE HIGH RISE LIFT
8	18130	4	NUT- 1/2-13 NC NYLOC
9*	12333	16	NUT- 3/8 NC NYLOC
10*	13131	8	NUT- 5/16 NYLOC
11	20818	2	RING PIN- 3/8 X 1in STNLS
12	11027	2	RIVET- #66 ALUM
13	20918	2	SPACER- HIGH RISE .5 ID X 3/8
14	20914	2	STANDOFF- HIGH RISE LIFT
15	20912	2	STRAP- HIGH RISE PIVOT
16	20913	2	STRAP- HIGH RISE LIFT SIDE
17	20911	1	TUBE- HIGH RISE CROSS LIFT
18	20915	1	U-BOLT- HIGH RISE LIFT
19*	16427	2	WASHER- 1/2 FLAT
20*	11315	2	WASHER- 3/16 RIVET STNLS

HIGHRISE ROOF™ KIT/ UPPER DOOR



ITEM #	PART #	QPU	DESCRIPTION
	20855	1	KIT- HIGH RISE ROOF/UPPER DOOR
1	20928	1	DOOR ASSY- HIGH RISE UPPR PBLU
2	20820	1	HDWE- HIGH RISE ROOF/DOOR
	20826	2	BRACKET- HIGH RISE ROOF
	20887	1	HINGE- 26in PIANO
	20825	2	PLATE- HIGH RISE ROOF
	20827	2	SWIVEL- HIGH RISE STAPLE
	17436	16	RIVET- AVDEL SILVER
	11027	28	RIVET- #66 ALUM
	11315	28	WASHER- 3/16 RIVET STNLS
3	20819	1	ROOF- HIGH RISE

HIGHRISE™ UPPER DOOR KIT



ITEM #	PART #	QPU	DESCRIPTION
1	20823	1	DOOR- HIGH RISE UPPER PBLU
2	20821	1	HINGE- 30in PIANO
3	20824	2	PLATE- HIGH RISE DOOR UPPER
4	20929	1	PLATE- PEEK SHIELD BLACK
5*	17436	16	RIVET- AVDEL SILVER

**WHAT'S
IN THE
BACK
OF YOUR TRUCK?**



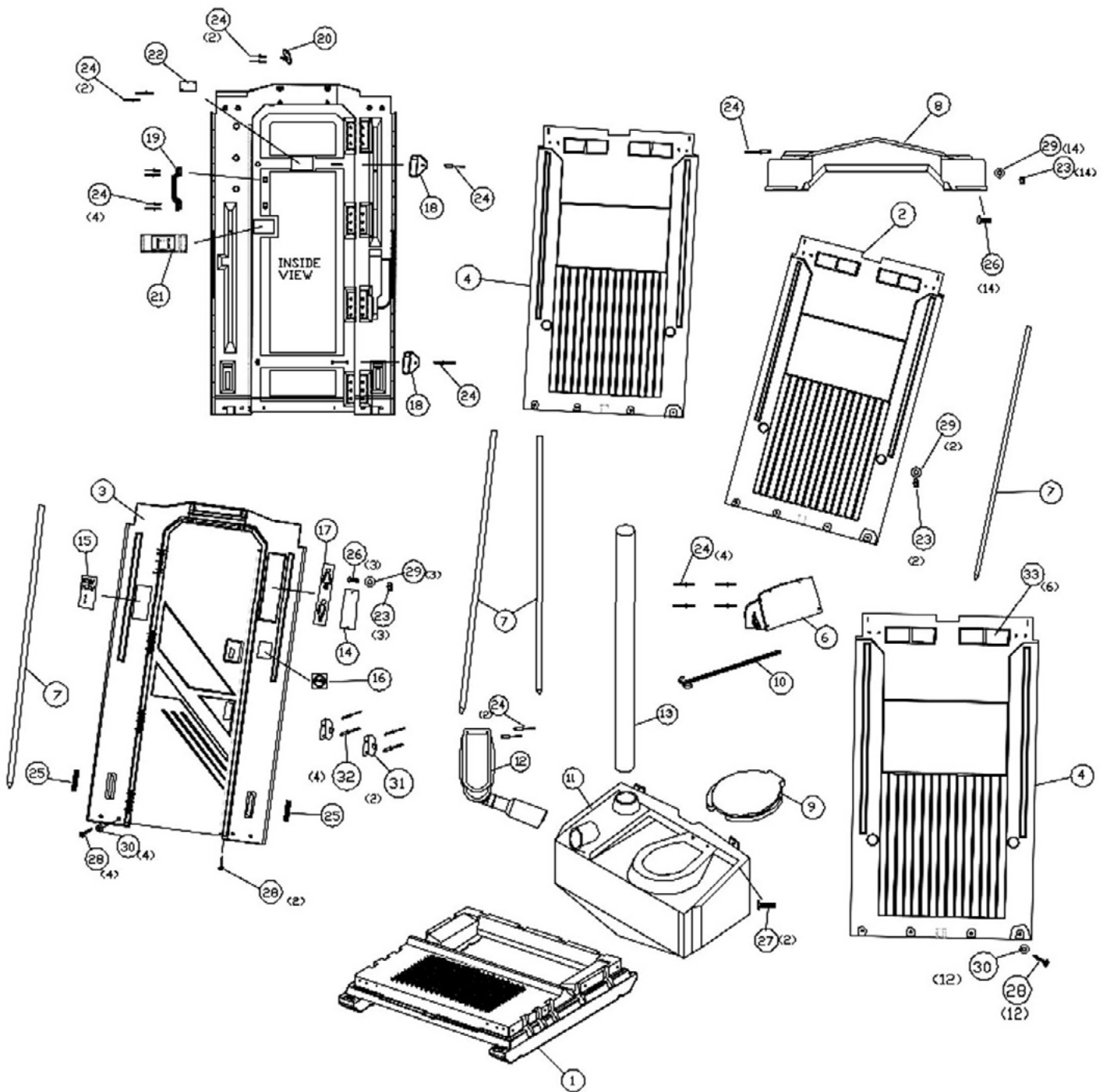
SHOWN:
MAL300 MASPORT HXL3V
STARTING AT \$10,033
PLUS TAX & SHIPPING

**MULTIPLE SIZES OF SLIDE-IN'S
IN STOCK AND READY TO SHIP**

INFO@SATELLITEINDUSTRIES.COM | SATELLITEINDUSTRIES.CO.UK



HIGH TECH 1® MAJOR ASSEMBLY



	DGRY	ORANGE	LTAN	RBLU	GGRN	PINK	LTBLU
FRONT	18637						
SIDE PANEL	18664	18663	18665	19372	18660		
BACK PANEL		18657			18654		18656

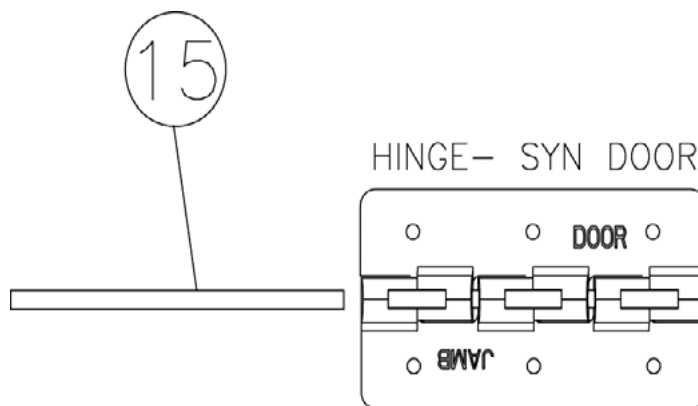
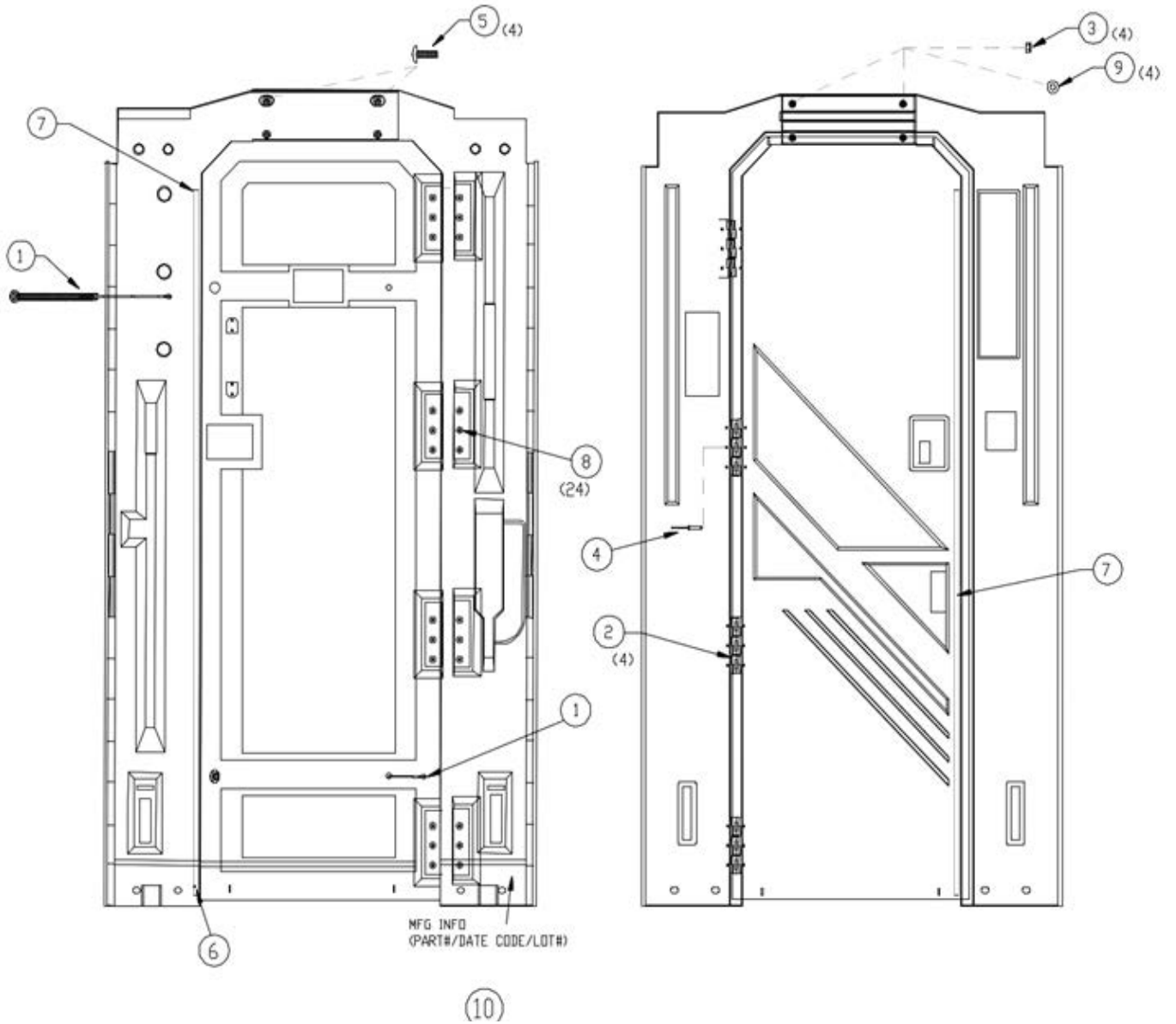
CUSTOM COLORS (QTY 100 - 6 TO 8 WEEKS LEAD TIME FROM ORDER RELEASE)
CONTACT AREA MANAGERS FOR PRICING

HIGH TECH 1® MAJOR ASSEMBLY

ITEM #	PART #	QPU	DESCRIPTION
1	18615	1	BASE- TRS/HT ROTOMOLD
2**	SEE CHART	1	PANEL- HIGH TECH BACK
3	SEE CHART	1	FRONT ASSY- HIGH TECH DGRY
4**	SEE CHART	2	PANEL- HIGH TECH SIDE
5	18649	1	HDWE- HIGH TECH
6	17082	1	HOOD-PAPERGUARD 2 ROLL
	22337	1	KIT- PAPERGRD 3 ROLL PUSH CAP
	22335	1	KIT- PAPERGRD 3 ROLL POP RVT
7	18681	4	ROD- FIBERGLASS 72
8	18682	1	ROOF- HT1
9	18757	1	SEAT- ELONG TRS/HT/WC GREY
	19196	1	KIT- TOILET SEAT 2-1/2 BOLT/NUT SET
10	16844	1	SPINDLE-PAPERGUARD 2 ROLL META
11	18698	1	TANK- TRS/HT 80 GAL
12	18700	1	URINAL- TRS/HT WITH TUBE
	18856	1	TUBE- TRS/HT URINAL
	18768	1	PLUG- URINAL HOLE SYNERGY TANK
13	18759	1	VENT PIPE- SYN 4X60 GREY
14	18720	1	DECAL- HIGH TECH
15	18716	1	DECAL- NO SMOKING
16	18707	2	GUIDE- HT DOOR SPRING
17	18708	1	HANDLE- PLASTIC LUGGAGE
18	18712	1	HOOK- BLACK PLASTIC COAT
19	18711	1	LATCH- SLIDE WITH ENG LABEL (OLD TAURUS)
20	18710	1	MIRROR- 3 X 5 PLASTIC
21	13128	16	NUT- ¼-20 NYLOC
22	18755	17	RIVET- AVDEL SILVER LONG
23	18713	2	SCREEN- 5-7/16 X 1-3/16 HT ^(new)
24	18705	14	SCREW- ¼-20 X3/4 TRUSS STNLS
25	18718	2	SCREW- ¼-20 X 1 TRUSS HEAD
26	13860	18	SCREW- #14 X 1-1/2 WITH WSH GOLD
27	12382	16	WASHER- ¼ FLAT STNLS
28	11368	16	WASHER- 5/16 FLAT STNLS
29	22590	2	HASP- HIGH TECH EXTENDED
30	17436	4	RIVET- AVDEL SILVER
31	18849	6	SCREEN HT 12.3 X 3.3
	18686	1	INSTRUCTIONS- HIGH TECH (SEE WEBSITE)

* Only sold in multiples of 100
 Limited Quantities - Please Call

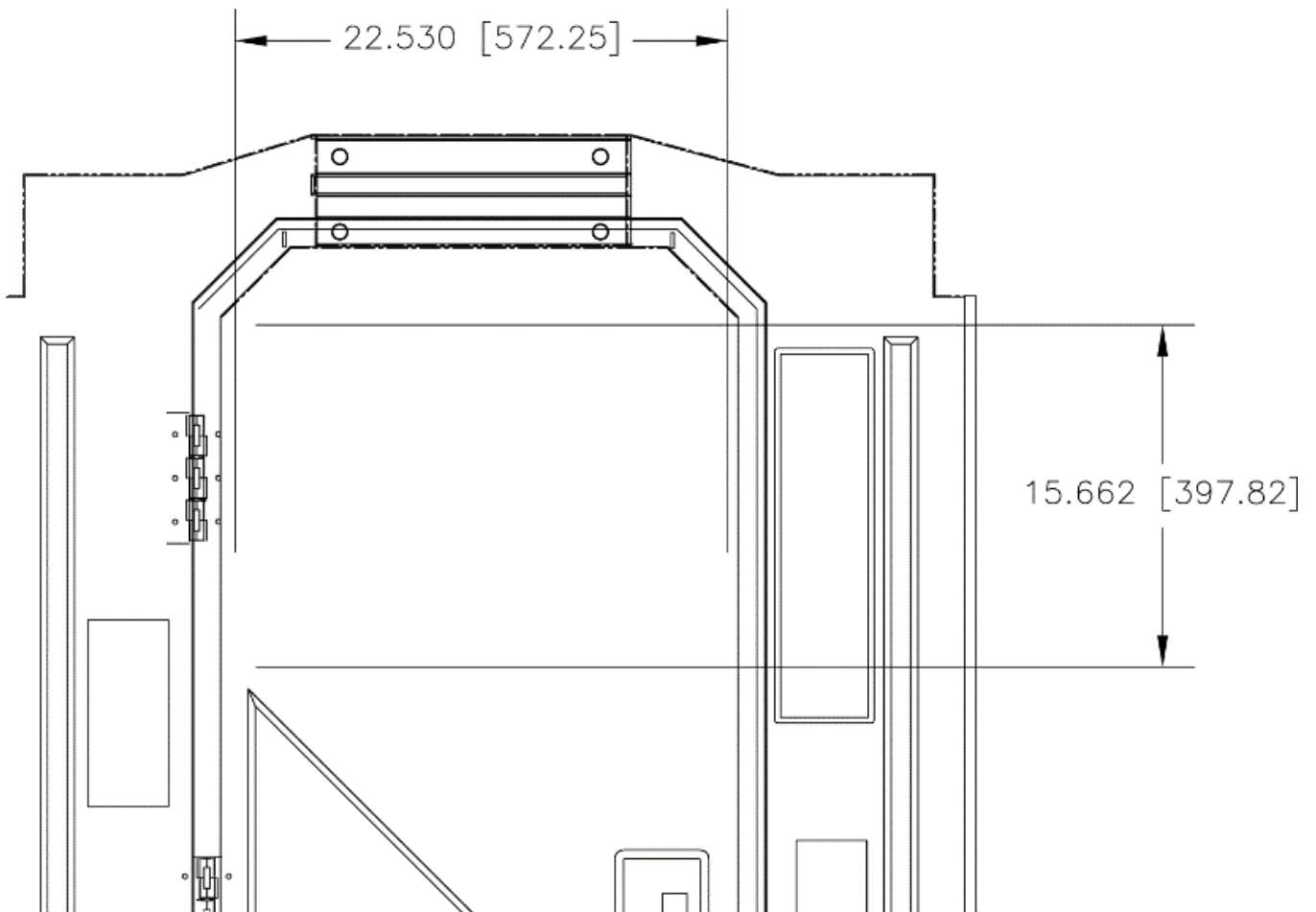
HIGH TECH 1® FRONT ASSEMBLY



HIGH TECH 1® FRONT ASSEMBLY

ITEM #	PART #	QPU	DESCRIPTION
	18637		FRONT ASSY- HIGH TECH SGRY
1	18850	2	CLOSURE ASSY- HIGH TECH
	18707	2	GUIDE- HT DOOR SPRING
2	18733	4	HINGE- SYN DOOR
3*	13128	4	NUT- ¼-20 NYLOC
4*	11024	24	RIVET- #610 AAP
5*	18705	4	SCREW- ¼-20 X3/4 TRUSS STNLS
6*	10804	1	SCREW- #8 X ¾ PHPN TAP
7	18924	2	TUBE- 16GA X ½ SQ X 69
8*	11315	24	WASHER- 3/16 RIVET STNLS
9*	12382	4	WASHER- 1/4 FLAT STNLS
10*	12382	4	WASHER- ¼ FLAT STNLS
		1	DOOR- SGRY
		1	FRAME RIGHT- MGRY
		1	FRAME LEFT- MGRY
15	18730	4	HINGE PIN- REPLACMNT SYN DOOR
	18702	1	KIT- HT1 HASP

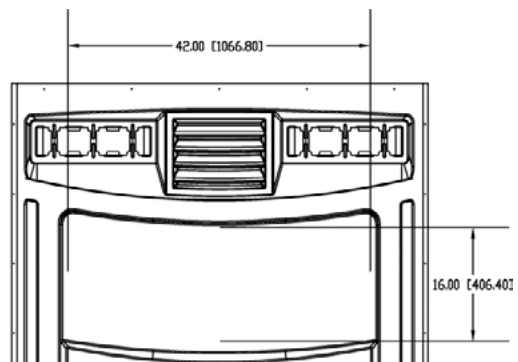
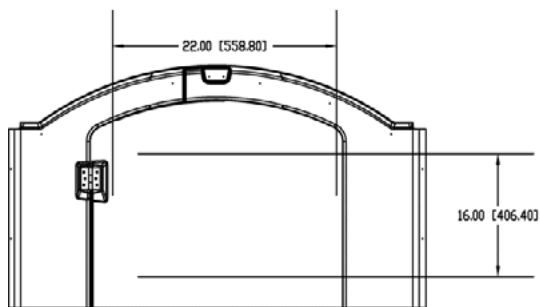
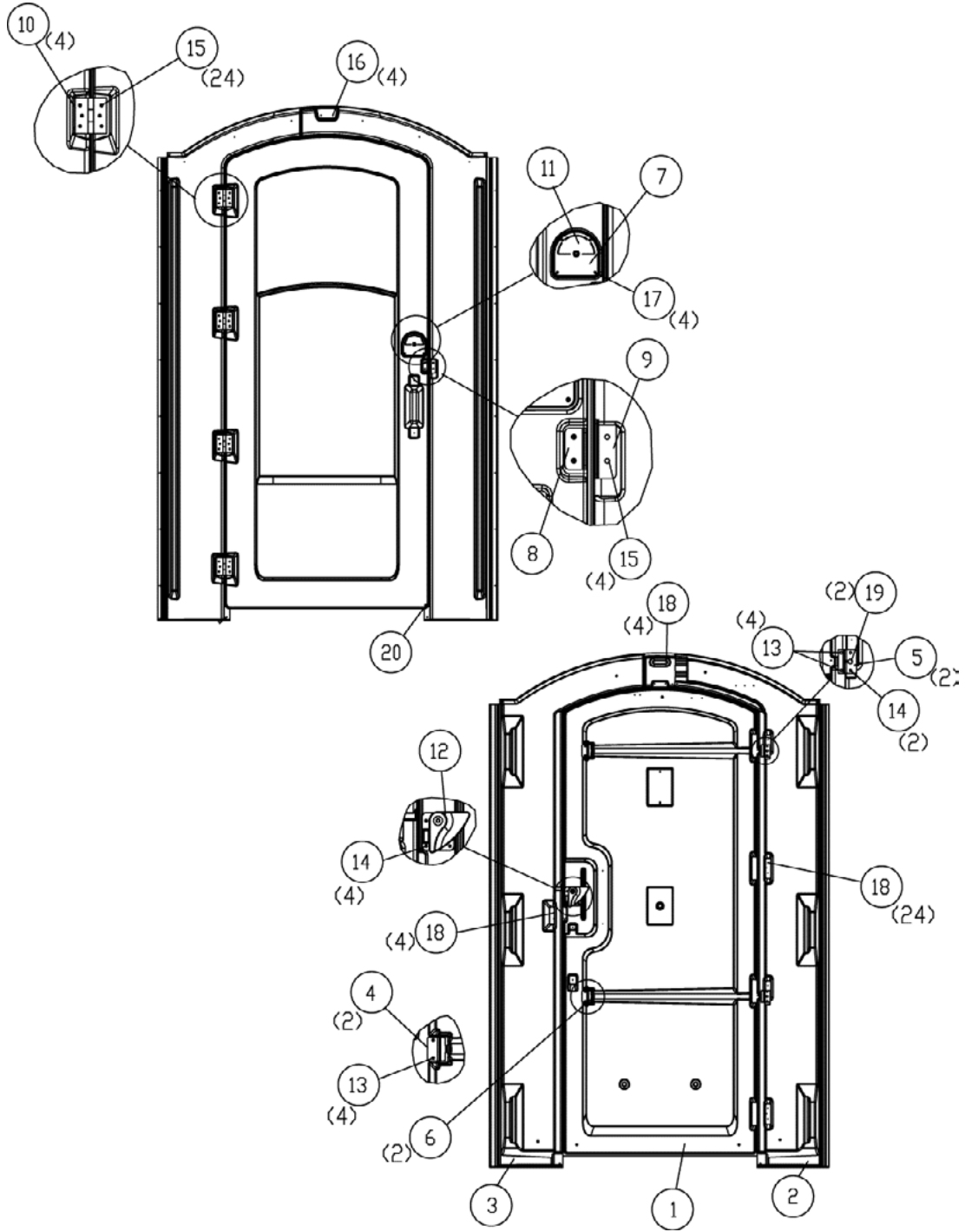
LOGO AREA



LIBERTY™ MAJOR ASSEMBLY

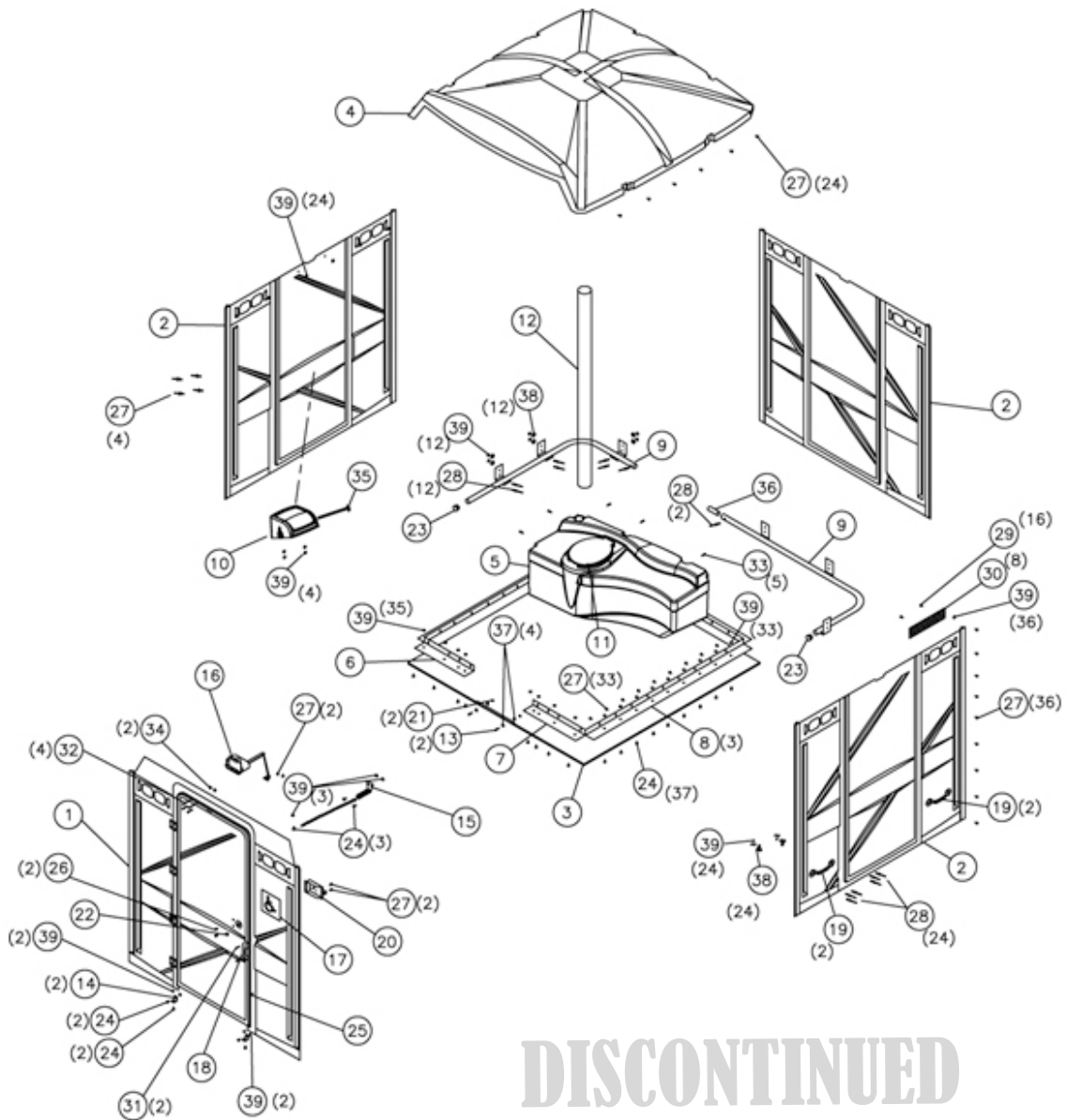
ITEM #	PART #	QPU	DESCRIPTION
1	SEE CHART	3	LIBERTY SIDE PANEL
2	SEE CHART	1	LIBERTY FRONT ASSY (NO LATCH)
3	18037	1	FLOOR- LIBERTY
4	18036	1	ROOF- LIBERTY
5	22608	1	TANK- FRE/LIB 35 GAL BLOWMOLD - 132
	14508	1	TANK- FRE/LIB 35 GAL CAP. ROTO
	16538	1	TANK- FRE/LIB 68GAL LARGE DGRY - 257 L
6	18039	3	ANGLE- PLSTC LIBERTY
7	22519	2	GRAB BAR- LIB/FRDM4 PLASTIC
8	22209	1	HOOD-PAPERGUARD 3 ROLL
	17082	1	HOOD-PAPERGUARD 2 ROLL (OPTIONAL)
	22340	1	HDWE- LIBERTY WITH 3 ROLL PRGRD
9	10570	1	SEAT- TOILET BLACK (INCLUDES HARDWARE - 10 PER CASE)
	19196	1	KIT- TOILET SEAT 2-1/2 BOLT/NUT SET
10	13796	1	VENT PIPE- 3 X 65-1/2 BLACK
11	16175	2	BRACKET- L 1IN STNLS
12	14401	1	DECAL- WHEELCHAIR ACCESSIBLE
13	16807	2	HANDLE- PLASTIC HOVER
14	22522	4	HANDLE- PLASTIC LIFT DGRY
15	10161	1	PLUG- 1/2 INDICATOR BLACK PLST
16*	17030	2	RIVET- AVDEL BLACK
17*	11054	72	RIVET- #68 AAL POP
18*	14427	26	RIVET- #66 LSH WITH LOCK MANDREL
19*	11270	6	RIVET- #68 STNLS
20	14351	53	RIVET- #610 CCP
21*	13860	6	SCREW- #14 X 1-1/2 WITH WSH GOLD
	22310	1	SPINDLE- PRGRD II 3 ROLL METAL (OPTIONAL)
23*	11361	30	WASHER- 3/16 ID FENDER
24*	11315	127	WASHER- 3/16 RIVET STNLS
	16844	1	SPINDLE-PAPERGUARD 2 ROLL META
	20923	1	KIT- LIBERTY FRONT SUPPORT
	14112	6	SCREEN- 3.8 X 15.25 PLSTC VENT (PRE 2018 PANELS)
	15337	12	RIVET- 195" PLASTIC EXPANDING

LIBERTY™ FRONT ASSEMBLY



LIBERTY™ FRONT ASSEMBLY

ITEM #	PART #	QPU	DESCRIPTION
1	CALL	1	LIBERTY DOOR
2	CALL	1	LIBERTY HINGE FACING
3	CALL	1	LIBERTY HASP FACING
4	10511	2	BRACKET- SPRING ANCHOR TUFWAY
5	14770	2	BRACKET- MAXIM CABLE ANCHOR
6	18054	2	CLOSURE ASSY- LIBERTY DOOR
7	13415	1	COVER- INDICATOR BLACK
8	13197	1	HASP- 3/16 RIVET HOLE DOOR
9	22056	1	HASP- EXTENDED
10	15708	4	HINGE- DOOR STNLS HEAVY NARROW
11	15630	1	INDICATOR- UNIVERSAL
12	14767	1	LATCH- RESTROOM PLASTIC
13*	12393	8	RIVET- #64 AAP POP
14*	17436	6	RIVET- AVDEL SILVER
15*	11270	28	RIVET- #68 STNLS
16*	11024	4	RIVET- #610 AAP
17*	10804	4	SCREW- #8 X 3/4 PHPN TAP
18*	11315	32	WASHER- 3/16 RIVET STNLS
19*	14803	2	PLUG- 3/8 HOLE
20*	18098	1	SCREW- #10 X 2 PN PH TAP
	14198	1	KIT- LATCH & INDICATOR (TUFWAY- MAXIM 2000 & LIBERTY) CONTAINS:
	10122	4	SCREW, #10 X 3/4" PN PH TAP
	10804	4	SCREW, #8 X 3/4" TAP GOLD
	10131	4	U-NUT, NO THREADS
	10161	1	PLUG, 1/2" ROUND BLACK PLASTIC
	14767	1	LATCH, RESTROOM PLASTIC
	15630	1	INDICATOR, UNIVERSAL
	13415	1	COVER, INDICATOR BLACK
	15391	1	KIT- PLASTIC DOOR LATCH (TUFWAY- MAXIM 2000 & LIBERTY) CONTAINS:
	10131	4	U-NUT. NO THREADS
	10122	4	SCREW. #10 X 3/4" PN PH TAP
	17436	4	RIVET. AVDEL SILVER
	14767	1	LATCH, RESTROOM PLASTIC
	13726	1	KIT- UNIVERSAL INDICATOR (TUFWAY- MAXIM 2000 & LIBERTY) CONTAINS:
	10804	4	SCREW, #8 X 3/4" TAP GOLD
	10161	1	PLUG, 1/2" ROUND BLACK PLASTIC
	15630	1	INDICATOR, UNIVERSAL
	13415	1	1 COVER, INDICATOR BLACK



DISCONTINUED

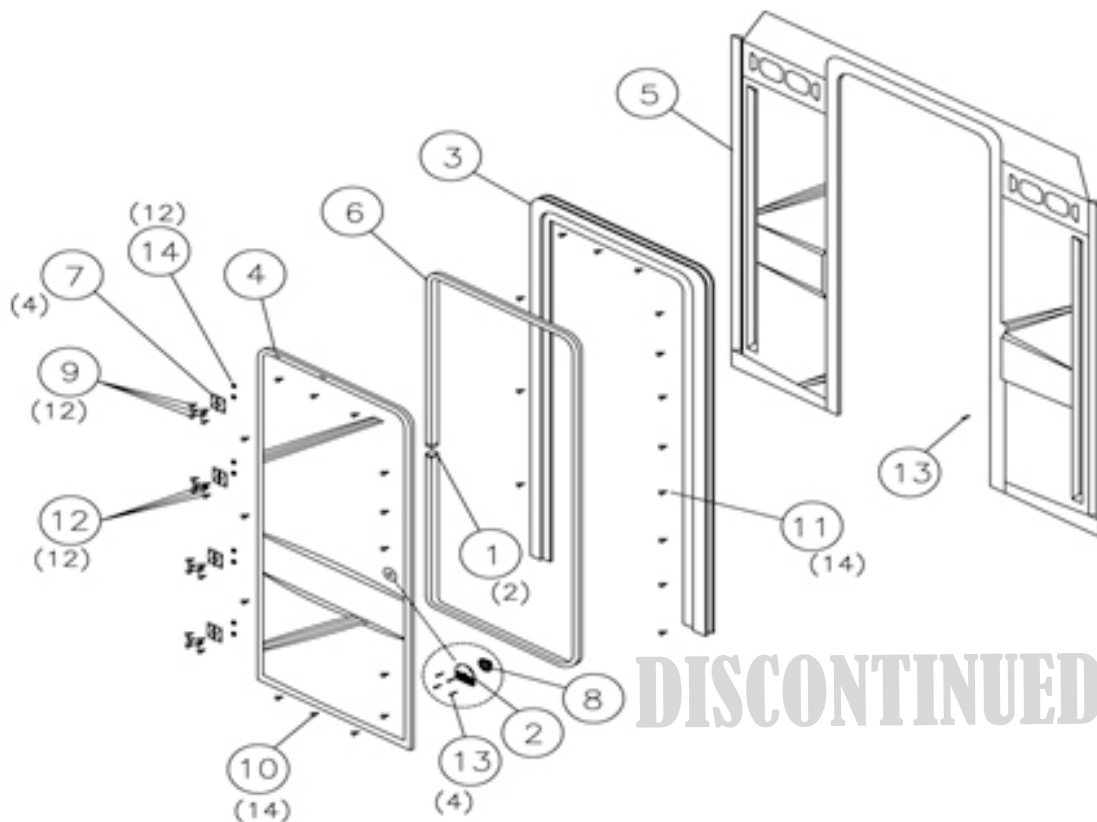
FREEDOM 2 COLOUR CHART				
	ROYAL BLUE	TEAL	SAND	FOREST GREEN
FRONT PART # (NOT LATCH)	15172	15173	15541	15834
PANEL PART #	15120	14535	15524	15831

* Since this product is discontinued, only limited large plastic parts are still available. Please enquire Customer Service

FREEDOM 2 MAJOR ASSEMBLY DISCONTINUED 2012

ITEM #	PART #	QPU	DESCRIPTION
1	SEE CHART	1	FRONT ASSEMBLY, FREEDOM 2
2	SEE CHART	3	PANEL, FREEDOM 2 ROUTED
3	14556	1	FLOOR- FREEDOM2 DRILLED
4	14510	1	ROOF- FREEDOM2
5	16538	1	TANK- FRE/LIB LARGE GREY (also available: small tank)
6	15406	1	ANGLE- PLSTC FRONT LEFT FREEDM
7	15407	1	ANGLE- PLSTC FRONT RGHT FREEDM21300
8	15408	3	ANGLE- PLSTC SIDE FREEDM FLOOR
9	15590	2	HANDRAIL- FREEDOM2 L/R
	15174	1	HDWE- FREEDOM2
10	17082	1	HOOD-PAPERGUARD 2 ROLL
11	10570	1	SEAT- TOILET TUF/FRE/LIB BLACK
	19196	1	KIT-TOILET SEAT 2-1/2 BOLT/NUT SET
12	13796		VENT PIPE- 3 X 65-1/2 BLACK
13	10105	2	BOLT- 1/4-20 X 1 PHPN PLTD
14	16175	2	BRACKET- L 1in STNLS
15	11734	1	CHAIN- DOOR STOP
16	16559	1	CLOSURE ASSY- ADJUSTABLE DOOR
17	10394	1	DECAL- HCP (ISA) FREEDOM2
18	13279	1	HANDLE- DOOR
19	14611	4	HANDLE- RESTROOM LIFT
20	14528	1	LATCH- FREEDOM2 DOOR
	15063	1	KIT FREEDOM LATCH W
21	13128	2	NUT- 1/4-20 NYLOC
22	10161	1	PLUG- 1/2 INDICATOR BLACK PLST
23	15588	2	PLUG- 1-1/4 HOLE
24	14351	44	RIVET- #610 CCP
25	11024	1	RIVET- #610 AAP
26	11027	2	RIVET- #66 ALUM
27	11054	101	RIVET- #68 AAL POP
28	11270	38	RIVET- #68 STNLS
29	15337	16	RIVET- .195in PLASTIC EXPANDNG
30	14112	8	SCREEN- 3.8 X 15.25 PLSTC VENT
31	10122	2	SCREW- #10 X 3/4 PHPN TAP PLTD
32	10109	4	BOLT- #10-24 X 3/4 PHPN PLTD
33	13860	5	SCREW- #14 X 1-1/2 WITH WSH GOLD
34	14527	2	SPACER- FREEDOM2 HINGE
34	14527	2	SPACER- FREEDOM2 HINGE
35	16844	1	SPINDLE-PAPERGUARD 2 ROLL META
36	15589	1	TUBE- HANDRAIL INSERT
37	12382	4	WASHER- 1/4 FLAT STNLS
38	11361	36	WASHER- 3/16 ID FENDER
39	11315	175	WASHER- 3/16 RIVET STNLS

FREEDOM 2 FRONT ASSEMBLY DISCONTINUED 2012

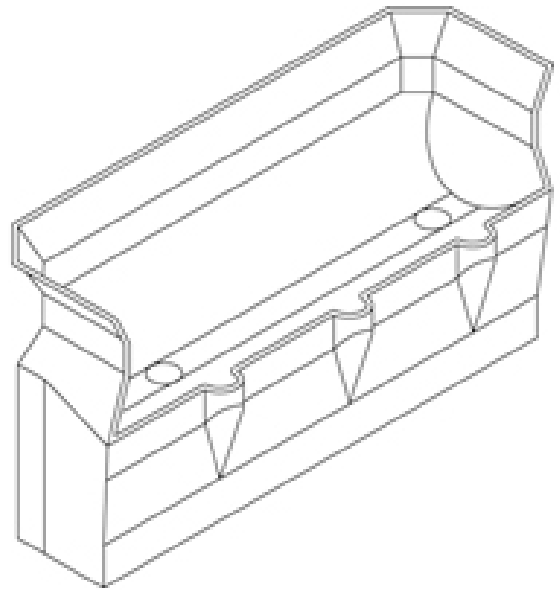


ITEM #	PART #	QPU	DESCRIPTION
	15166		FRONT ASSY, FREEDOM 2 & SRO (NO LATCH)
1	11555	2	PLUG- 3/4 BLACK PLASTIC SQUARE
2	13415	1	COVER- INDICATOR BLACK
3	15794	1	DOOR JAMB- FREEDOM2 THICK
4		1	FREEDOM 2 DRILLED DOOR
5		1	FREEDOM 2 DRILLED FACING
6	14513	1	FRAME- FREEDOM2 DOOR
7	15708	4	HINGE- DOOR STNLS HEAVY NARROW
8	15630	1	INDICATOR- UNIVERSAL
9	14351	12	RIVET- #610 CCP
10	11030	14	RIVET- #66 AAL POP
11	11024	14	RIVET- #610 AAP
12	11270	12	RIVET- #68 STNLS
13	10804	5	SCREW- #8 X 3/4 PHPN TAP
14	11315	12	WASHER- 3/16 RIVET STNLS
	15063	1	W- FREEDOM2 LATCH REPLACEMNT

FREEDOM 2 STANDING ROOM ONLY CONVERSION KIT

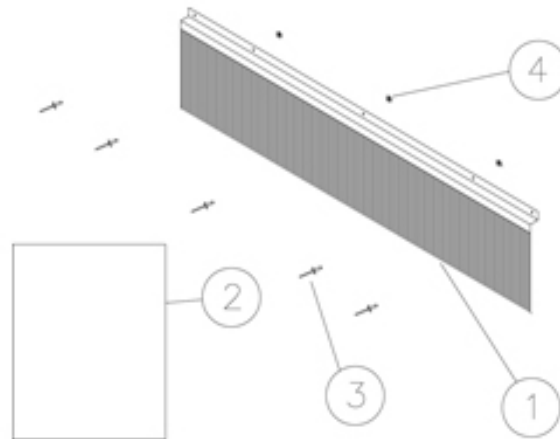
(URINAL AND HARDWARE KIT)

- ① PN 15230
CHAIN, BRASS SAFETY
(60 IN)
- ② PN 15267
PLATE, SRO
URINAL MOUNT
(2 EA)
- ③ PN 15265
PLUG, 3" DOME WHITE
(1 EA)
- ④ PN 15266
PLUG, SRO
URINAL DRAIN (2 EA)
- ⑤ PN 14427
RIVET, #66 LSH
W/LOCK MANDREL (4 EA)
- ⑥ PN 11054
RIVET, #68 AAL POP
(4 EA)
- ⑦ PN 10122
SCREW, #10 X 3/4"
PN PH TAP (2 EA)
- ⑧ PN 11315
WASHER, 3/16"
RIVET STNLS (4 EA)
- ⑨ PN 15279
INSTRUCTIONS,
FREEDOM2 TO SRO (1 EA)



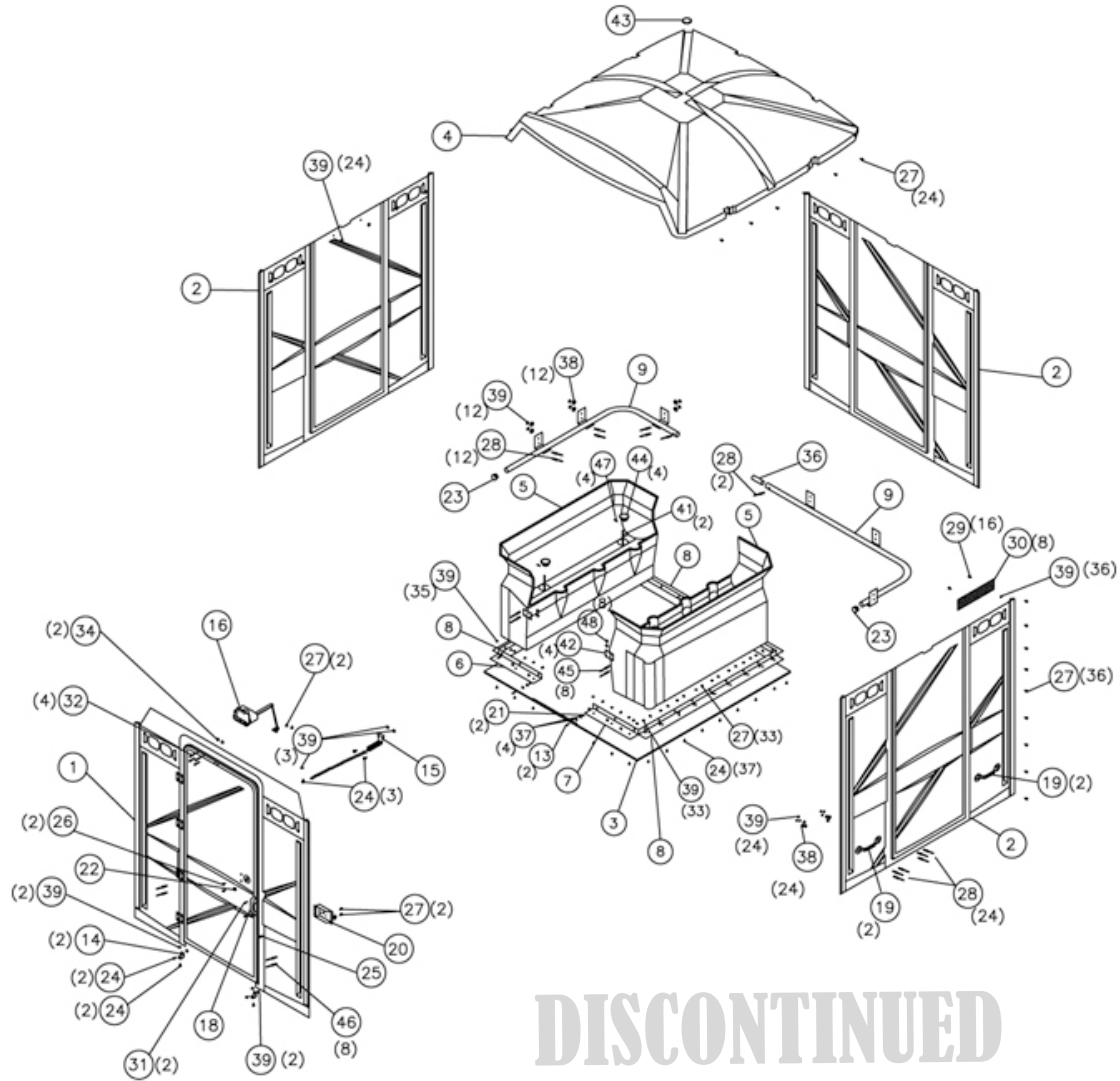
ITEM #	PART #	QPU	DESCRIPTION
	15280		KIT, FRMD2 TO SGL SRO CONV
	15158	1	URINAL- SRO GRANITE
	15281	1	HDWE- FRDM2 TO SINGLE SRO CONV

FREEDOM 2 DOOR SWEEP



ITEM #	PART #	QPU	DESCRIPTION
	15187	1	KIT-FREEDOM2 DOOR SWEEP
1	15186	1	BRUSH
2	15185	1	INSTRUCTIONS
3	11030	5	RIVET- #66 AAL POP
4	11315	5	WASHER- 3/16 RIVET STNLS

FREEDOM 2 SRO MAJOR ASSEMBLY



FREEDOM 2 SRO COLOUR CHART

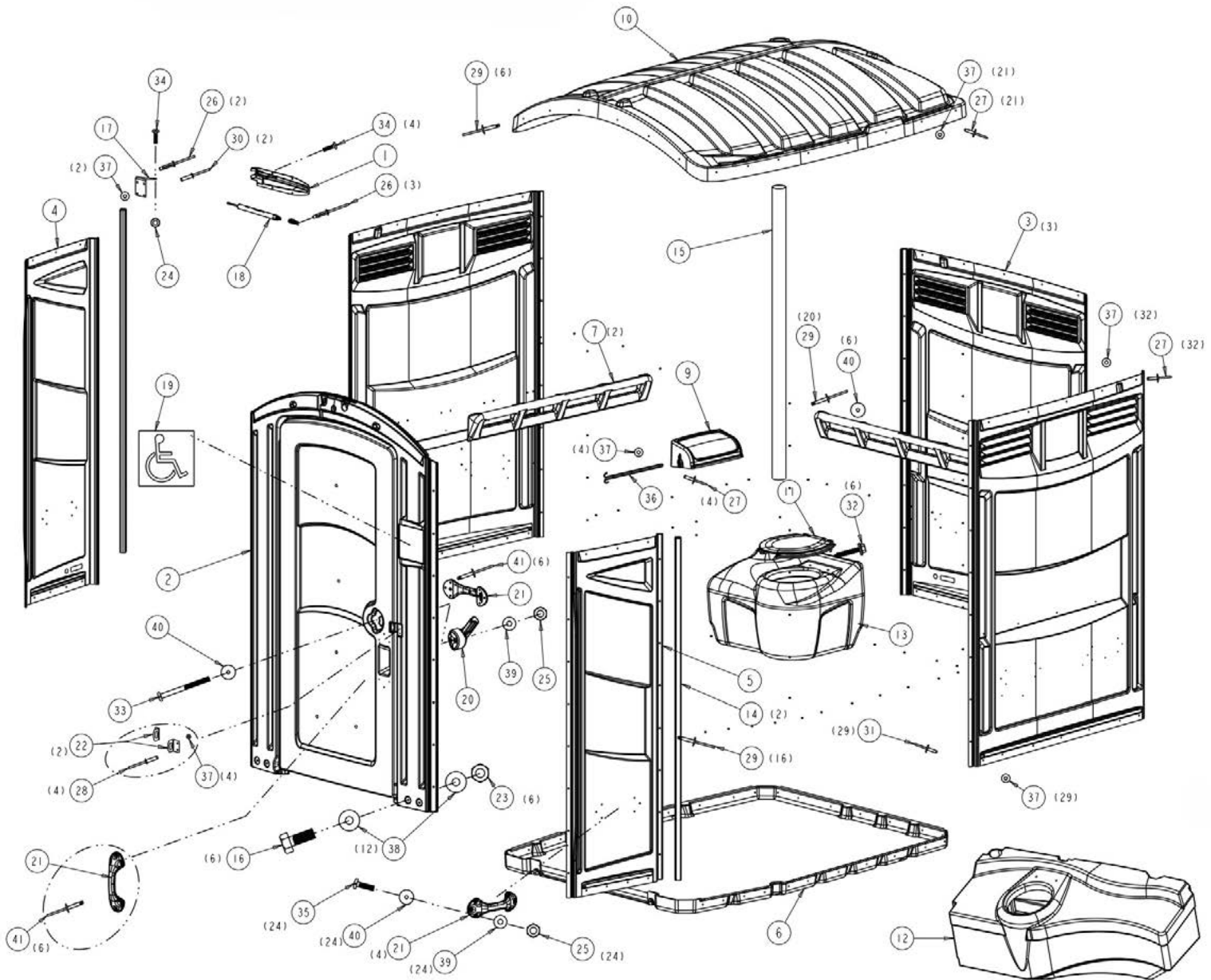
	ROYAL BLUE	TEAL	SAND	FOREST GREEN
FRONT PART # (NOT LATCH)	15172	15173	15541	15834
PANEL PART #	15120	14535	15524	15831

ITEM #	PART #	QPU	DESCRIPTION
1	SEE CHART	1	FRONT ASSEMBLY, FREEDOM 2
2	SEE CHART	3	PANEL, FREEDOM 2 ROUTED
	15280	1	KIT- FRDM2 TO SGL SRO CONV
3	14556	1	FLOOR- FREEDOM2 DRILLED
4	14510	1	ROOF- FREEDOM2
5	15158	2	URINAL - SRO GRANIT
6	15406	1	ANGLE- PLSTC FRONT LEFT FREEDM
7	15407	1	ANGLE- PLSTC FRONT RGHT FREEDM
8	15408		ANGLE- PLSTC SIDE FREEDM FLOOR
9	15590	2	HANDRAIL- FREEDOM2 L/R
	15174	1	HDWE- FREEDOM2
10	17082	1	HOOD-PAPERGUARD 2 ROLL

FREEDOM 2 SRO MAJOR ASSEMBLY

ITEM #	PART #	QPU	DESCRIPTION
11	10570	1	SEAT- TOILET TUF/FRE/LIB BLACK
12	13796	1	VENT PIPE- 3 X 65-1/2 BLACK
13	10105	2	BOLT- 1/4-20 X 1 PHPN PLTD
14	16175	2	BRACKET- L 1in STNLS
15	11734	1	CHAIN- DOOR STOP
16	16559	1	CLOSURE ASSY- ADJUSTABLE DOOR
17	10394	1	DECAL- HCP (ISA) FREEDOM2
18	13279	1	HANDLE- DOOR
19	14611	4	HANDLE- RESTROOM LIFT
20	14528	1	LATCH- FREEDOM2 DOOR
	15063	1	KIT- FREEDOM2 LATCH REPLACEMNT consists of:
	14528	1	LATCH- FREEDOM2 DOOR
	11054	2	RIVET- #68 AAL POP
	11027	2	RIVET- #66 ALUM
21	13128	2	NUT- 1/4-20 NYLOC
22	10161	1	PLUG- 1/2 INDICATOR BLACK PLST
23	15588	2	PLUG- 1-1/4 HOLE
24	14351	44	RIVET- #610 CCP
25	11024	1	RIVET- #610 AAP
26	11027	2	RIVET- #66 ALUM
27	11054	101	RIVET- #68 AAL POP
28	11270	38	RIVET- #68 STNLS
29	15337	16	RIVET- .195in PLASTIC EXPANDNG
30	14112	8	SCREEN- 3.8 X 15.25 PLSTC VENT
31	10122	2	SCREW- #10 X 3/4 PHPN TAP PLTD
32	10109	4	BOLT- #10-24 X 3/4 PHPN PLTD
33	13860	5	SCREW- #14 X 1-1/2 WITH WSH GOLD
34	14527	2	SPACER- FREEDOM2 HINGE
35	16844	1	SPINDLE-PAPERGUARD 2 ROLL META
36	15589	1	TUBE- HANDRAIL INSERT
37	12382	4	WASHER- 1/4 FLAT STNLS
38	11361	36	WASHER- 3/16 ID FENDER
39	11315	175	WASHER- 3/16 RIVET STNLS
41	15230	120	CHAIN- BRASS SAFETY
	15279	1	INSTRUCTIONS, FREEDOM 2 SRO
42	15267	4	PLATE- SRO URINAL MOUNT
43	15265	2	PLUG- 3in DOME
44	15266	4	PLUG- SRO URINAL DRAIN
45	14427	8	RIVET- #66 LSH WITH LOCK MANDREL
46	11054	8	RIVET- #68 AAL POP
47	10122	4	SCREW- #10 X 3/4 PHPN TAP PLTD
28	11315	8	WASHER- 3/16 RIVET STNLS

FREEDOM 4® MAJOR ASSEMBLY



FREEDOM 4® COLOR CHART

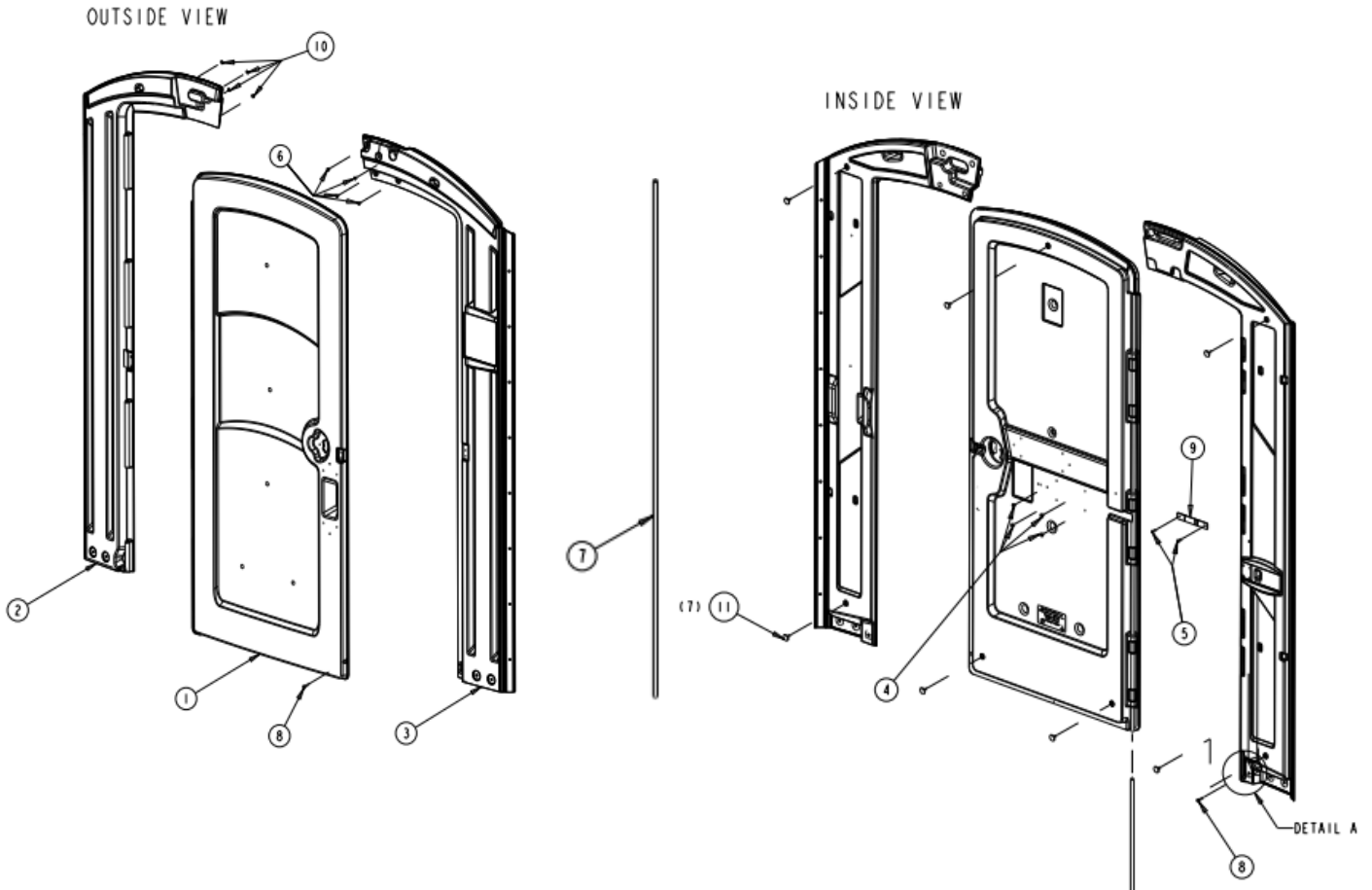
	TEAL	ROYAL BLUE	SAND	FOREST GREEN	GREY
FRONT PART # (NO LATCH)	22568	22553	22558	22563	22530
PANEL PART #	22567	22552	22557	22562	22529
HALF PANEL LEFT	22570	22555	22560	22565	22532
HALF PANEL RIGHT	22571	22556	22561	22566	22533
COVER FREEDOM 4 CLOSURE	22569	22554	22559	22564	22531

FREEDOM 4[®] MAJOR ASSEMBLY

ITEM #	PART #	QPU	DESCRIPTION
1	SEE CHART	1	COVER -FREEDOM4 DOOR CLOSER
2	SEE CHART	1	FREEDOM4 FRONT ASSY
3	SEE CHART	3	LIBERTY/FR4 SIDE PANEL
4	SEE CHART	1	PANEL HALF LEFT FRDM4
5	SEE CHART	1	PANEL HALF RIGHT FRDM4
6	22520	1	FLOOR- FREEDOM4
7	22519	2	GRAB BAR- LIB/FRDM4 PLASTIC
8	22540	1	HDWE- FREEDOM4
9	17082	1	HOOD-PAPERGUARD 2 ROLL
10	22518	1	ROOF- FREEDOM4 NATURAL
11	10570	1	SEAT- TOILET TUF/FRE/LIB BLACK
12	16538	1	TANK- FRE/LIB LARGE DGRY - 257 L
13	22608	1	TANK- FRE/LIB 35 GAL BLOWMOLD - 132 L
14	22537	2	TUBE- FREEDOM4 STIFFENER BLK
15	13796	1	VENT PIPE- 3 X 65-1/2 BLACK
16	20883	6	BOLT- 5/16-18 X 1 HXHD STNLS
17	21382	1	BRACKET- FREEDOM3 CLOSURE
18	22536	1	CLOSURE- DOOR HYDRAULIC 1X16
19	10394	1	DECAL- HCP (ISA) FREEDOM2
20	40057	1	HANDLE- GB TOILET GREY
21	22522	6	HANDLE- PLASTIC LIFT DGRY
22	22605	2	HASP- LARGE LOCK EXTENDED
23*	13131	6	NUT- 5/16 NYLOC
24	20903	1	NUT- #10-24 NYLOC STNLS
25*	16307	25	NUT- 1/4-20 NYLOC STNLS
26*	17436	5	RIVET- AVDEL SILVER
27*	11054	57	RIVET- #68 AAL POP
28*	11270	4	RIVET- #68 STNLS
29	22604	54	RIVET- TRI- LOBE X 5/8 LF
30	15975	2	RIVET- #66 STNLS
31*	22543	29	RIVET- #610 AAL POP
32*	13860	6	SCREW- #14 X 1-1/2 WITH WSH GOLD
33	40052	1	SCREW- 1/4-20X3-1/2 PH PNHD SS
34*	18813	5	SCREW- #10-24 X3/4 TRUSS STNLS
35*	18718	24	SCREW- 1/4-20 X 1 TRUSS HEAD
36	16844	1	SPINDLE-PAPERGUARD 2 ROLL META
37*	11315	92	WASHER- 3/16 RIVET STNLS
38	22584	12	WASHER- 5/16 ID FENDER HD SS
39	12382	25	WASHER- 1/4 FLAT STNLS
40*	11360	31	WASHER- 1/4 ID FENDER STNLS

* Only sold in multiples of 100

FREEDOM 4® FRONT ASSEMBLY



ITEM #	PART #	QPU	DESCRIPTION
1		1	FREEDOM4 DOOR
2		1	FREEDOM3 LEFT FACING
3		1	FREEDOM3 RIGHT FACING
4	14791	4	INSERT- #10-24 JACK NUT
5*	17436	2	RIVET- AVDEL SILVER
6	22644	4	RIVET- #68 STNLS LF
7	21299	1	ROD- FREEDOM3 DOOR 77.5in
8*	10122	1	SCREW- #10 X 3/4 PHPN TAP PLTD
9	21292	1	STOP- FREEDOM3 FABRIC
10*	11315	4	WASHER- 3/16 RIVET STNLS
11*	16804	11	RIVET-PINE TREE 1/4X9/16

**NEW YEAR
SAME TRUSTED**

PARTNER



**RESTROOM TRUCKS
SLIDE-INS
LARGE
VACUUM & SEPTIC**



**DON'T FORGET
& RESTROOMS, SINKS
& DEODORIZER**



INFO@SATELLITEINDUSTRIES.COM | SATELLITEINDUSTRIES.CO.UK

FRESH START SHOWER® MAJOR ASSEMBLY

PART #	QPU	DESCRIPTION			
FRONT AND DOOR ASSEMBLY					
SEE CHART	1	FRONT & DOOR FINISHED AXXIS			
1096-699	1	LOCK BRACKET - DOOR SIDE			
1097-699	1	LOCK BRACKET - FRONT SIDE			
1808-699	4	RIVET: 688 TRI-BULB (COAT HOOK, MIRROR, SLIDE LATCH BRACKET)			
1081-799 - 99	1	ROTARY DOOR LATCH WITH LABEL & HARDWARE			
1033-699	1	MIRROR 6" X 8" STAINLESS STEEL			
1808-699	2	RIVET: 688 TRI-BULB (COAT HOOK, MIRROR, SLIDE LATCH BRACKET)			
1029-699	2	COAT HOOK			
1808-699	2	RIVET: 688 TRI-BULB (COAT HOOK, MIRROR, SLIDE LATCH BRACKET)			
BASE - ROOF - SIDES					
SEE CHART	3	PANEL- AXXIS			
13860	15	SCREW- #14 X 1- 1/2 WITH WSH GOLD			
1709-699	15	WASHER: WHITE PLASTIC 1/4 X 1.25			
5423-500	1	ROOF- AX T-22 - NO HOLE			
1816-699	15	RIVET: ABL66A (CORNERS, URINAL, TP COVER, VENT SCREENS)			
1705-699	15	WASHER: ALUMINUM 3/16			
1817-699	5	RIVET: BF41-0625 TRI CLAMP (FOR FRONT OF KEYSTONE TOP)			
6166-605	1	BASE: GRAY CONTAINMENT / SHOWER (WITH GRATED FLOOR)			
1709-699	4	WASHER: WHITE PLASTIC 1/4 X 1.25			
1713-699	6	WASHER: 1/4" STAINLESS FLAT			
1753-699	6	JACKNUT 1/4-20			
1950-699	2	BOLT: 1/4-20 X 2.5 HEX HEAD SS FULL THREAD			
1959-699	4	BOLT: HEX HEAD SS 1/4-20 X1.5 FULL THREAD			
ACCESSORIES					
1130-699	1	DECAL: SHOWER			
1688-699	1	SHOWER ROD AND END CAPS (CUT TO 41 7/8)			
1945-699	6	SCREW: PHM 1/4-.75 FLAT HD MACH			
1751-699	6	NUT: ACORN 1/4-230			
1707-699	6	WASHER: 1/4" STAR ZINC			
FRESH START SHOWER COLOR CHART					
	SAND	BLUE	GREY	GRASS GREEN	RED
FRONT	22932	22924	22925	22938	22930
PANEL	22781	22768	22772	22771	22779



FRESH START SHOWER® MAJOR ASSEMBLY

PART #	QPU	DESCRIPTION
ACCESSORIES AND INTERIOR CONTINUED		
1689-699	1	SHOWER CURTAIN VINYL 48W X 72L
1690-699	9	SHOWER CURTAIN HOOK
5091-905-S	1	GRAY CORNER SHELF - SMALL
1816-699	4	RIVET: ABL66A (CORNERS, URINAL, TP COVER, VENT SCREENS)
1705-699	4	WASHER: ALUMINUM 3/16
9851-699	1	DISPENSER: SPRAY SOAP - 400 ML BAG
9852-699	1	REFILL: LOTION SPRAY SOAP - 400 ML BAG
1809-699	4	RIVET: AB66A-SHORT/SMALL HEAD
1705-699	4	WASHER: ALUMINUM 3/16
BACK WALL - PLUMBING AND HEATING		
1682-599	1	SHOWER BACK WALL PANEL - ALUMINUM 5X41X5 INT AND STD.
1816-699	8	RIVET: ABL66A (CORNERS, URINAL, TP COVER, VENT SCREENS)
1705-699	8	WASHER: ALUMINUM 3/16
1699-699	1	SHOWER VALVE ASSEMBLY (NEW)
1697-599	1	SHOWER GUARD BRACKET (STANDARD/INTEGRA)
1641-699	2	ELBOW: 1/2" MNPT X FNPT STREET
1671-699	2	ADAPTER 3/4" MGHT X 1/2" FNPT
1686-599	2	HEATER BRACKET WALL
1962-699	2	SCREW: 1/4-20 X 1-3/4 PHILLIPS PAN HEAD SS
1765-699	4	NUT: NYLON INSERT LOCK NUT SS 1/4 X 20
1713-699	6	WASHER: 1/4" STAINLESS FLAT
1777-699	2	SPACER: NYLON 1/2" OD X 1/4" IDX 5/8"L LOWER DOOR CLOSER
1940-699	2	SCREW: 1/4-20 X1" PHD PAN SS
1685-599	1	HEATER BRACKET
1936-699	2	SCREW: 1/4-20 X .5 PHILLIPS PAN HEAD SS WITH LOCK PATCH
1765-699	2	NUT: NYLON INSERT LOCK NUT SS 1/4 X 20
1680-699	1	ECCO TEMP HEATER
1678-699	2	ADAPTER 1/2 NPT FEMALE X 3/4 GHT MALE
1233-699	1	Y VALVE GARDEN HOSE MULTI-FAUCET FITTING, PLASTIC, TWO OUTLETS WITH TWO SHUT-OFF
1676-599-R	1	HOT WATER HOSE ASSEMBLY
1676-599-B	1	COLD WATER HOSE ASSEMBLY
1966-699	2	SCREW: #8 X 3/4" PHD PHILLIPS STAINLESS
1768-699	2	NUT: #8 NYLON LOCK NUT STAINLESS
1706-699	2	WASHER: #8 FLAT STAINLESS
VENTS AND MOLDING		
22989	4	CORNER MOLDING WHITE PUNCHED
1816-699	32	RIVET: ABL66A (CORNERS, URINAL, TP COVER, VENT SCREENS)
1705-699	32	WASHER: ALUMINUM 3/16



FRESH START SHOWER® MAJOR ASSEMBLY

PART #	QPU	DESCRIPTION
COLD WATER ASSEMBLY		
1691-699	1	HAND HELD SHOWER HEAD
1692-699	1	HAND HELD SHOWER HEAD BRACKET
1966-699	2	SCREW: #8 X 3/4" PHD PHILLIPS STAINLESS
1768-699	2	NUT: #8 NYLON LOCK NUT STAINLESS
1706-699	2	WASHER: #8 FLAT STAINLESS



FRESH START SHOWER SPECIFICATIONS

HEIGHT KEYSTONE ROOF: 92" (2336MM)

FLOOR SPACE: 41"-21" (1041MM X 533MM)

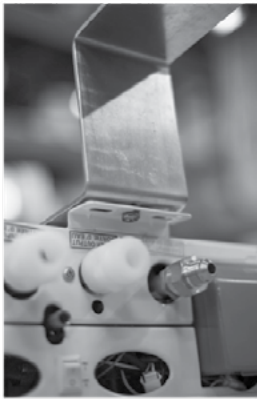
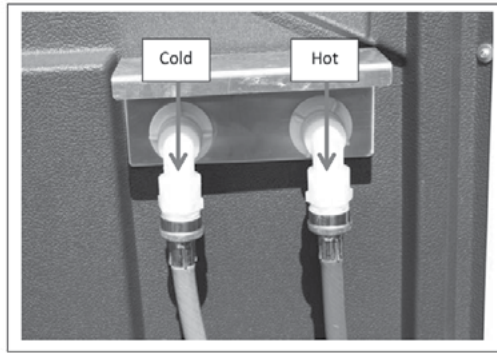
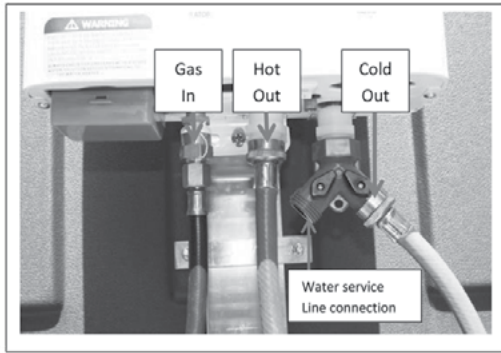
LENGTH: 47" (1194MM)

DOOR SPACING: 73" X 24" (1854MM) X 610MM)

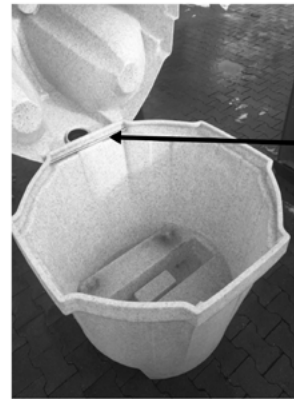
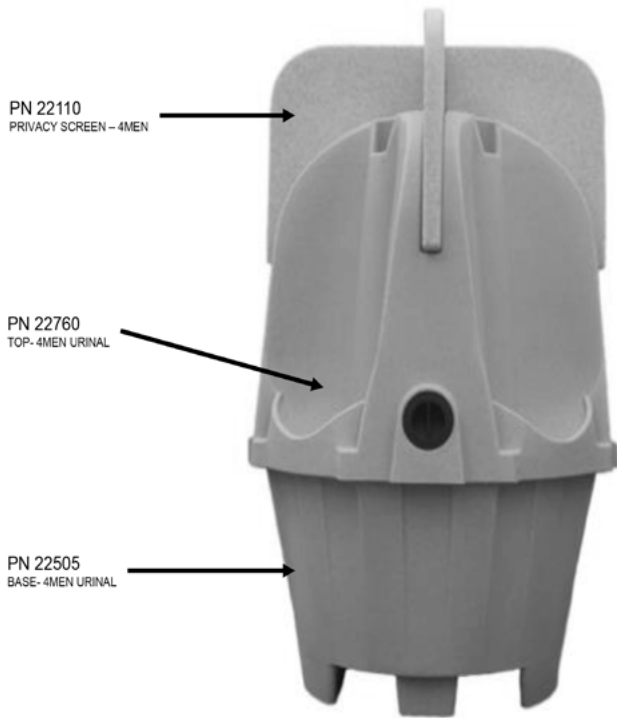
WIDTH: 43" (1092MM)

FRESH START SHOWER® MAJOR ASSEMBLY

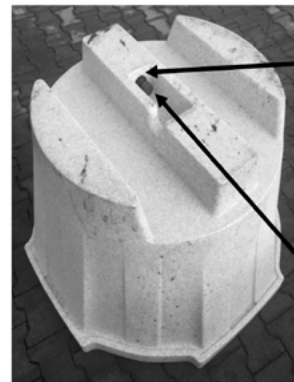
SOLD
in the
US



4MEN URINAL STAND



PN 22146
SPINDLE- 4MEN W/NUT



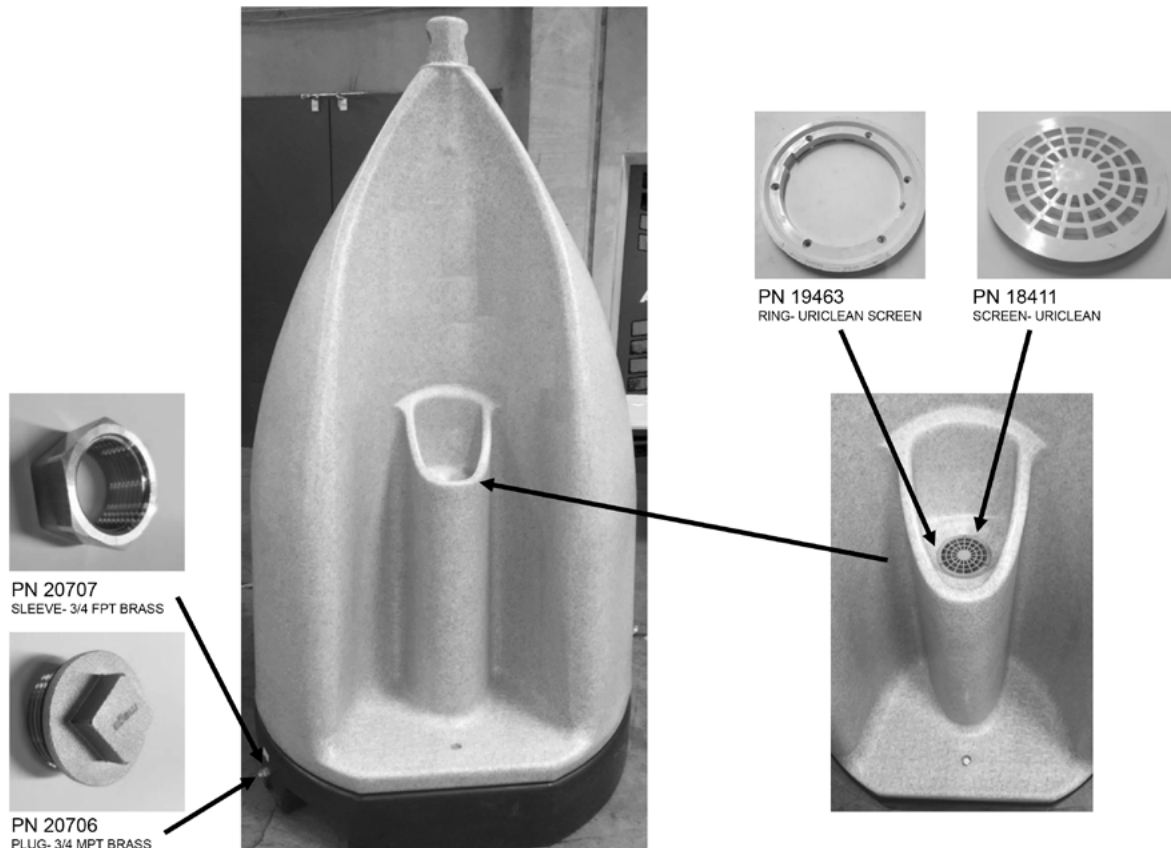
PN 22442
PLUG- 4MEN DRAIN PLSTC BLACK



PN 22145
CAP- 4MEN PLSTC BLACK

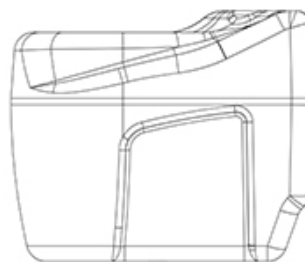
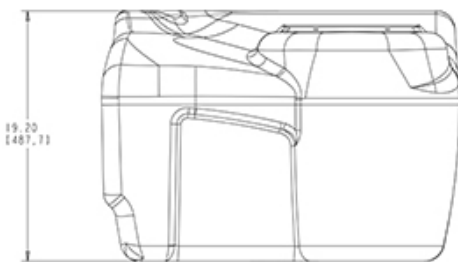
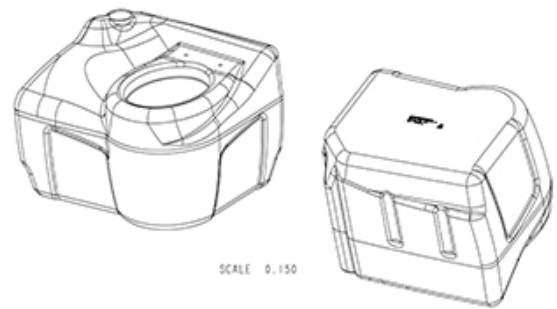
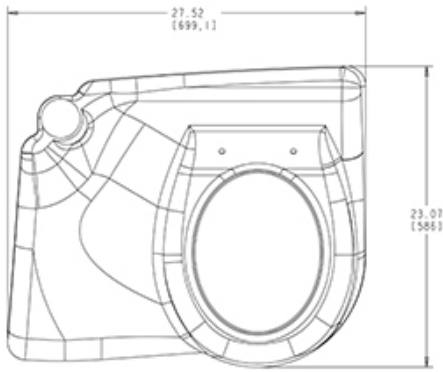
ITEM #	PART #	QPU	DESCRIPTION
	22110		PRIVACY SCREEN - 4MEN
	22760		TOP- 4MEN URINAL
	22505		BASE- 4MEN URINAL
	22146		SPINDLE- 4MEN WITH NUT
	22442		PLUG- 4MEN DRAIN PLSTC BLACK
	22145		CAP- 4MEN PLSTC BLACK

URICLEAN URINAL STAND



ITEM #	PART #	QPU	DESCRIPTION
	18272	1	URICLEAN- 3-MAN URINAL
	23049	1	URICLEAN SAND
	24480	1	TOP- URICLEAN SAND
	24471	1	TOP- URICLEAN GRANIT
	24470	1	BOTTOM - URICLEAN GRANIT
	24475	1	HDWE- URICLEAN
	24466	1	WASHER- M12 SMAL DIN125A STNLS
	24467	1	WASHER- 13MM
	24468	1	NUT- WITH RING M12
	24469	1	BOLT- 12 X 150
	18274	1	LIFTING RING- CLEAN CAB PC001 (ONLY FOR PRE-2012 MODELS)
	18275	1	WASHER- 17MM X 60MM X 3MM (ONLY FOR PRE-2012 MODELS)
	19254	1	PLUG- LIFTING URICLEAN (ONLY FOR PRE-2012 MODELS)
	19255	1	NUT- LIFTING URICLEAN (ONLY FOR PRE-2012 MODELS)
	18411	3	SCREEN- URICLEAN
	19463	3	RING- URICLEAN SCREEN
	20706	1	PLUG- 3/4 MPT BRASS
	20707	1	SLEEVE- 3/4 FPT BRASS

REMOVABLE / FREESTANDING TANK



ITEM #	PART #	QPU	DESCRIPTION
1	22113	1	TANK- FREE STANDING SMALL
	22848	1	TANK- FREE STANDING LARGE
	14508	1	TANK.FRE/LIB 35 GAL ROTO
2	22522	2	HANDLE- RESTROOM LIFT
	15265	1	PLUG- 3IN DOME
3	11270	12	RIVET- #68 STNLS 12
	10570	1	SEAT- TOILET TUF/FRE/LIB BLACK
4	11315	12	WASHER- 3/16 RIVET STNLS
	24209	1	KIT- RECIR HANDFLUSH NO/FLAP EU CONTAINS:
	18473	1	BOWL ASSY, FLUSH-II
	12588	4	CLAMP, WORMDRIVE #12
	15143	1	FILTER, RECIRCULATING FLUSH
	14384	52	HOSE, #44 FLEX
	15644	1	INSTR, RECIR HANDFLUSH NO/FLAP
	19173	1	PUMP, BILGE WITH ELBOW
	16949	1	SCREEN, TURBO RECIRC FILTER
	11261	1	TIE, WIRE 6in
	21697	1	NUT, 1-1/8-7 UNC STNLS

MIRROR

ITEM #	PART #	QPU	DESCRIPTION
	17378		KIT- MIRROR 4 X 6 STNLS
	11027	1	RIVET 66 ALUM
	14474	1	MIRROR, 4 X 6 STNLS STEEL

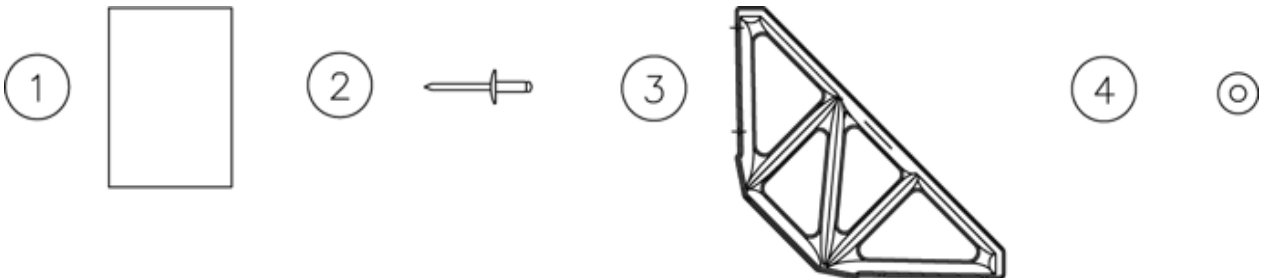


MIRROR CAN BE USED WITH:

TUFWAY
 TAURUS
 MAXIM 2000
 MAXIM 3000
 MAXIM 3000 II
 HIGH TECH I
 GLOBAL
 GLOBAL 1.5
 FREEDOM MODELS
 LIBERTY MODELS

TUFWAY® SHELF

ITEM #	PART #	QPU	DESCRIPTION
	17371		KIT- TUFWAY SHELF
1	17455	1	INSTRUCTIONS- TUFWAY SHELF <small>(SEE WEBSITE)</small>
2*	11030	4	RIVET- #66 AAL POP
3	16075	1	SHELF- MX2 & TUFWAY
4*	11315	2	WASHER- 3/16 RIVET STNLS





Announcing Eco Blue™ ! The MOST eco-friendly deodorizer to hit the market, from Safe-T-Fresh. A revolutionary new packet product with no hazardous materials that doesn't sacrifice fragrance or deep blue color. Ground breaking, patented malodor control technology eliminates the chemical process most current deodorizers use by naturally absorbing malodors. Eco Blue™ is biocide and bacteria free making it fully biodegradable and treatment plant friendly. Safe-T-Fresh's new Eco Blue™, will provide a worry free week of service and refreshing lavender scent, at any temperature.

Wow your customers and protect the environment. Try Eco Blue™ today!



satelliteindustries.com | info@satelliteindustries.com | +32/2 542 56 56



'21 PARTS & PRICE GUIDE



SECTION 2

KITS & EQUIPMENT

Flushing kits

- Tufway® and Mondo II
- Recirculating Flush Systems
- Hand Pump Assembly Swish
- Impact Base
- Western Flush Kit
- Maxim 3000™
- Maxim 3000 II™

Assembly Charts

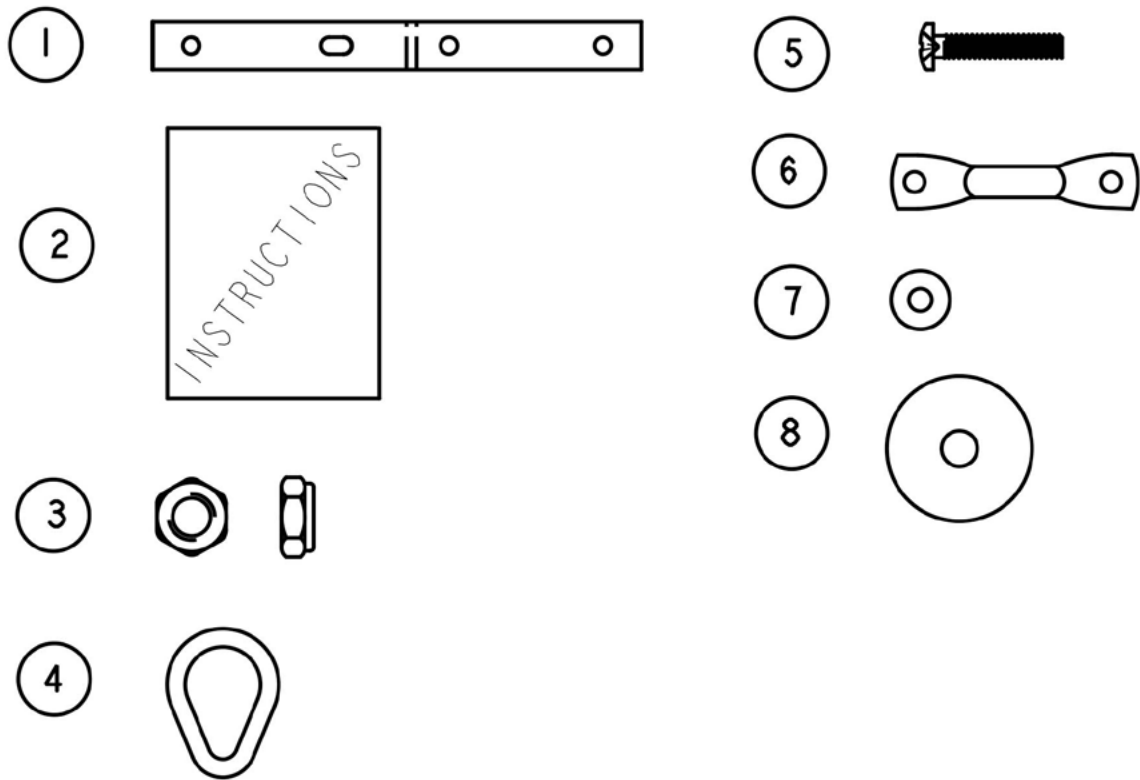
- Fronts
- Roofs
- Hardware
- Door
- Urinal
- Paperward
- Foot and Hand Pump

Additional Equipment

- Containment Tray
- Holding Tanks
- Tools
- Padlocks
- Lights
- Decal Charts
- Accessories

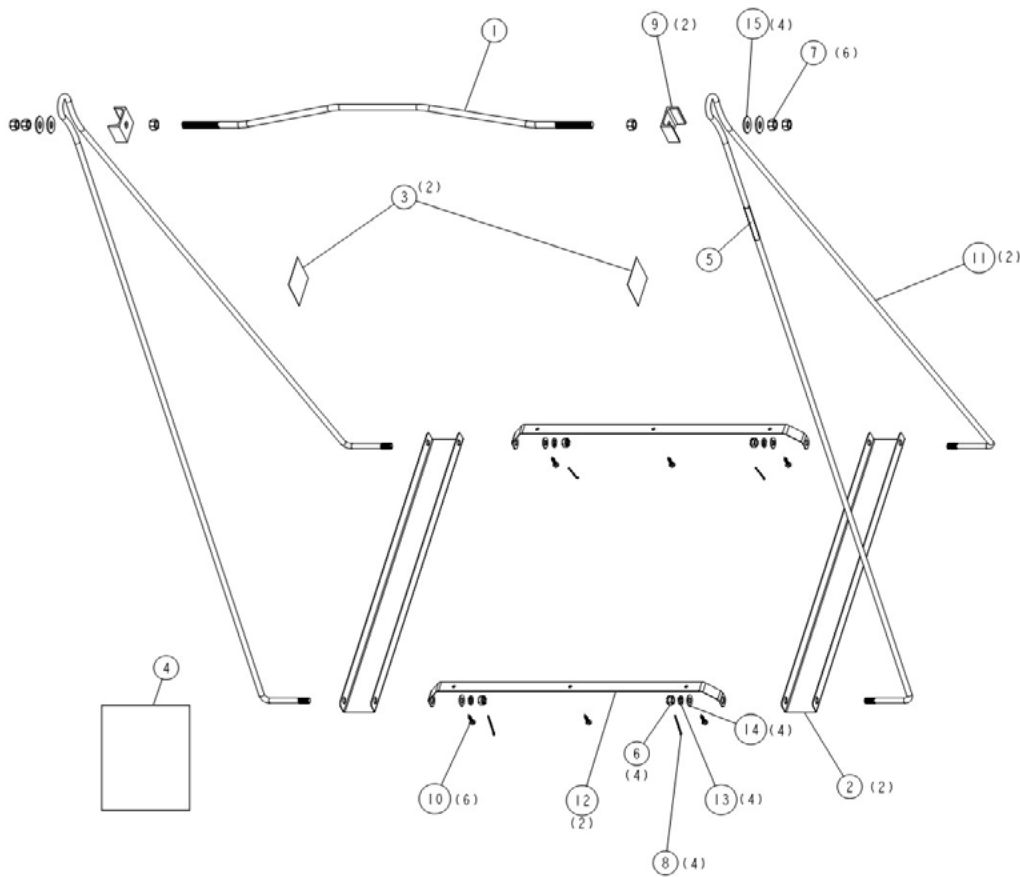


DRY LIFT KIT FOR TUFWAY, MONDO I & II, MAXIM 3000 II, LIBERTY AND FREEDOM



ITEM #	PART #	QPU	DESCRIPTION
	19572	1	KIT- DRY LIFT
1	16405	2	BRACKET, DRY LIFT
4	14926	2	RING, LIFTING
5	14351	8	SCREW, #10-24 X 1-1/4 PH STNLS
6	14925	2	STRAP, 2-1/4 RI G TIE PLTD
7	11315	12	WASHER, 3/16 RIVET STNLS
8	18715	4	WASHER, 1/4 ID FENDER STNLS

KIT DOUBLE HOOK PLATED LIFT



IMPACT BASE, ROTO & BLOW BASE

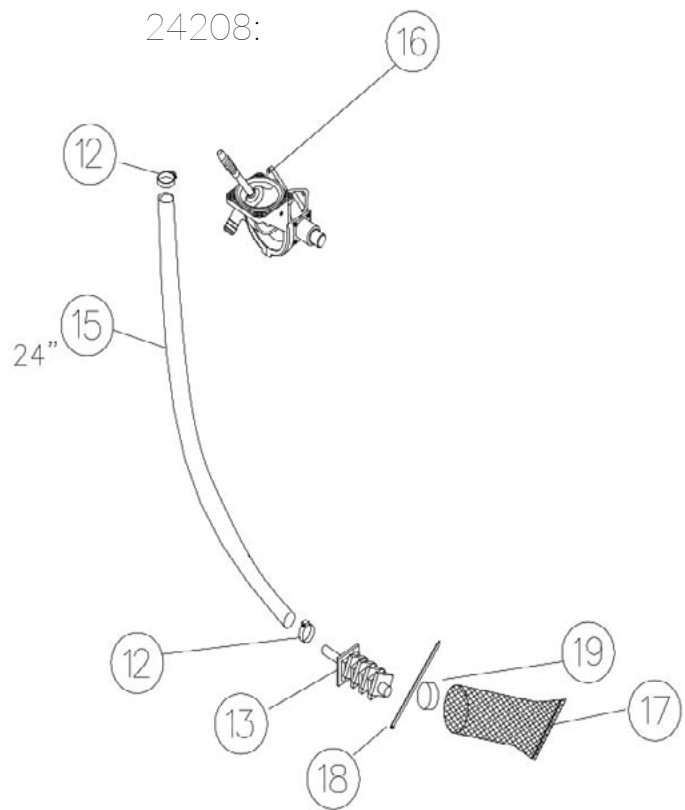
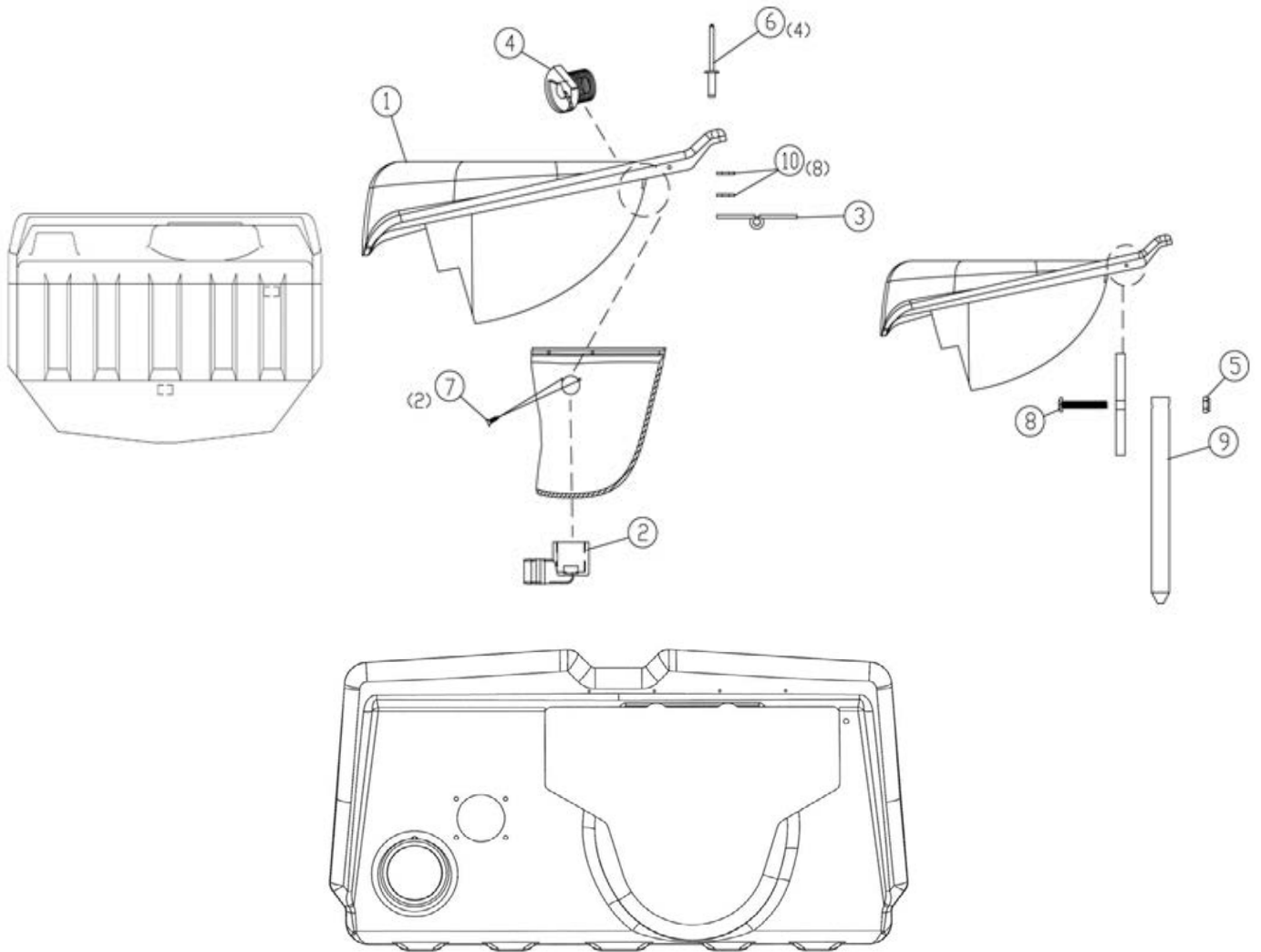
TUFWAY
 MAXIM 2000
 MAXIM 3000 II
 GLOBAL
 GLOBAL II

Cannot be used with Dirt Buster Base

ITEM #	PART #	QPU	DESCRIPTION
	22370	1	KIT - DOUBLE HOOK PLATED LIFT
1	16132	1	BAR- HIGH RISE II SPREADER PLT
2	22363	2	CRADLE- 2X WET LIFT
3	22364	2	DECAL- 2X WET LIFT
4	22365	1	INSTRUCTIONS- 2X WET LIFT (SEE WEBSITE)
5	22371	1	NAME PLATE- 2X REST WET LIFT
6	22367	4	NUT - 5/8-11 SLOTTED HEX
7	10767	6	NUT- 5/8 NC
8	10851	4	PIN- 1/8 COTTER STNLS
9	10263	2	RETAINER- HIGHRISE HANGER
10*	13860	6	SCREW- #14 X 1-1/2 WITH WSH GOLD
11	16129	2	SLING- HIGH RISE II PLTD
12	22368	2	STRAP- HIGH RISE HANGER PLTD
13	12390	4	WASHER- 5/8 LOCK
14	22369	4	WASHER- 5/8 SAE
15	11366	4	WASHER- 3/4 FLAT
	22839		KIT - IMPACT BASE 1-HOOK LIFT

*Only sold in multiples of 100

**TUFWAY® AND MONDO II RECIRCULATING HAND FLUSH
FILTER, TANK & DECK ASSEMBLY**

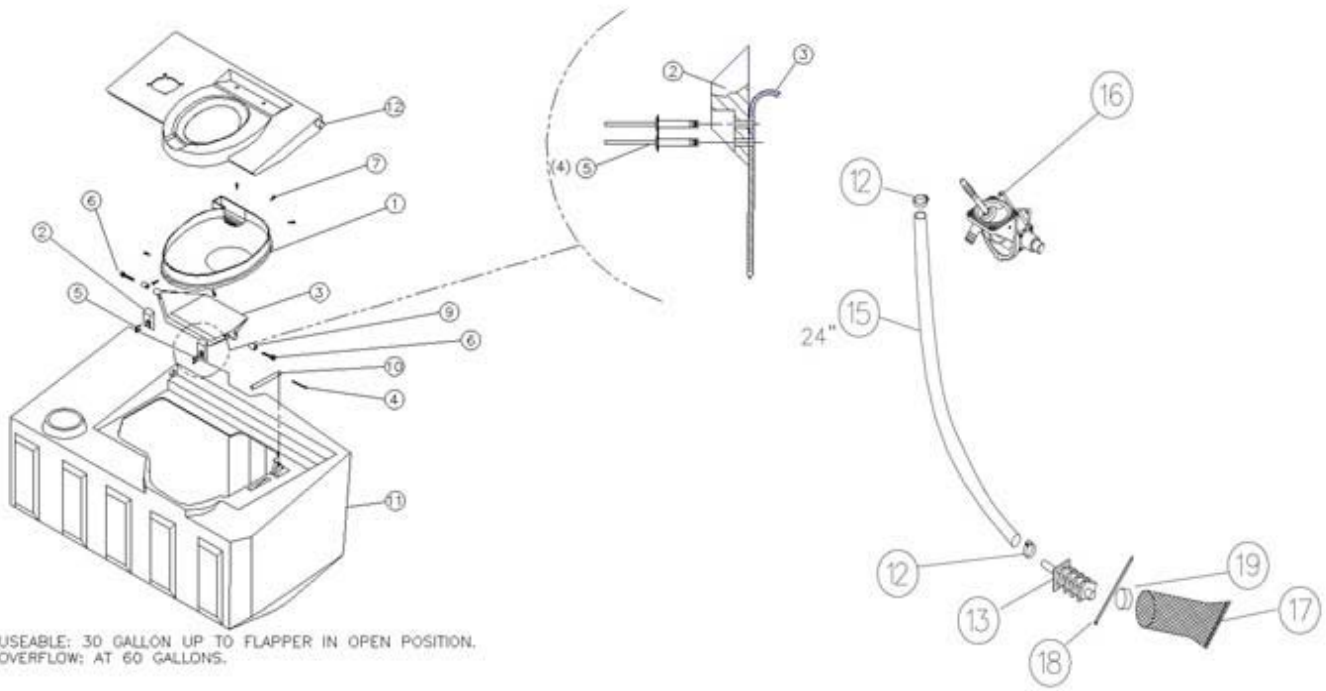


TUFWAY® AND MONDO II RECIRCULATING HAND FLUSH

FILTER, TANK & DECK ASSEMBLY

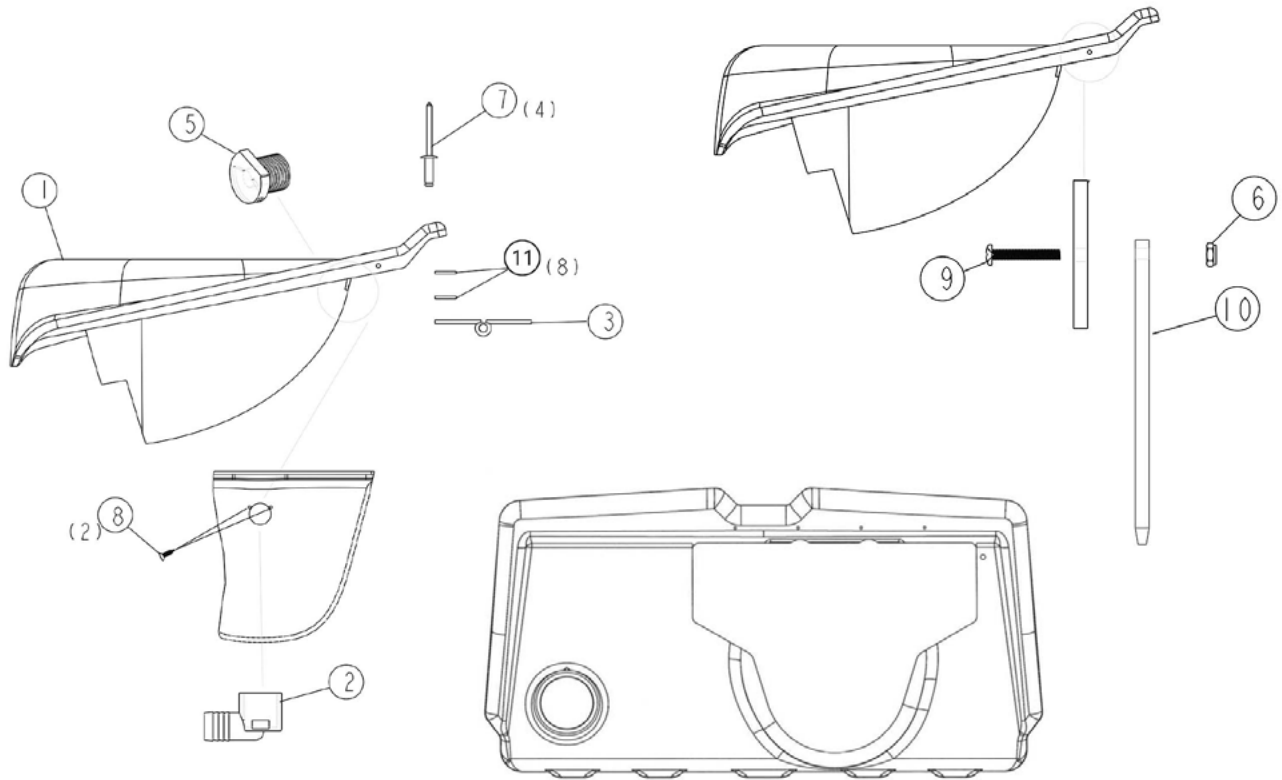
ITEM #	PART #	QPU	DESCRIPTION
	21149	1	TANK- TUFWAY HANDFLUSH FLIPTOP
	21043	1	DECK ASSY, TUFWAY FLIPTOP CONTAINS:
1	20936	1	DECK- TUFWAY FLUSH FLIPTOP
2	18145	1	ELBOW- 90 314 FPT X3/4 INS BLK
3	20937	1	HINGE- TUFWAY FLUSH FLIPTOP
4	14403	1	NOZZLE- SINGLE SLOT FLUSH
5	20903	1	NUT- #10-24 NYLOC STNLS
6	11027	8	RIVET- #6 ALUM
7	15537	2	SCREW- #4 X 318 FH STNLS
8	20842	1	SCREW-#10-24 X 1-1/4 PH STNLS
9	20938	1	STRUT- TUFWAY FLUSH FLIPTOP
10	11315	12	WASHER- 3116 RIVET STNLS
	17096	1	HOSE, 3/4 X 25 GREEN
	24208	1	PUMP ASSY- HANDFLUSH EU, CONTAINS:
12	12588	2	CLAMP- WORMDRIVE #12
13	15143	1	FILTER- RECIRCULATING FLUSH
15	14384	24	HOSE- #44 FLEX
16	19173	1	PUMP- BILGE WITH ELBOW
17	16949	1	SCREEN- TURBO RECIRC FILTER
18	11261	1	TIE- WIRE 6IN
19	17331	1	WEIGHT- TURBO RECIRC FILTER

TUFWAY® AND MONDO II SWISH GREY HAND PUMP



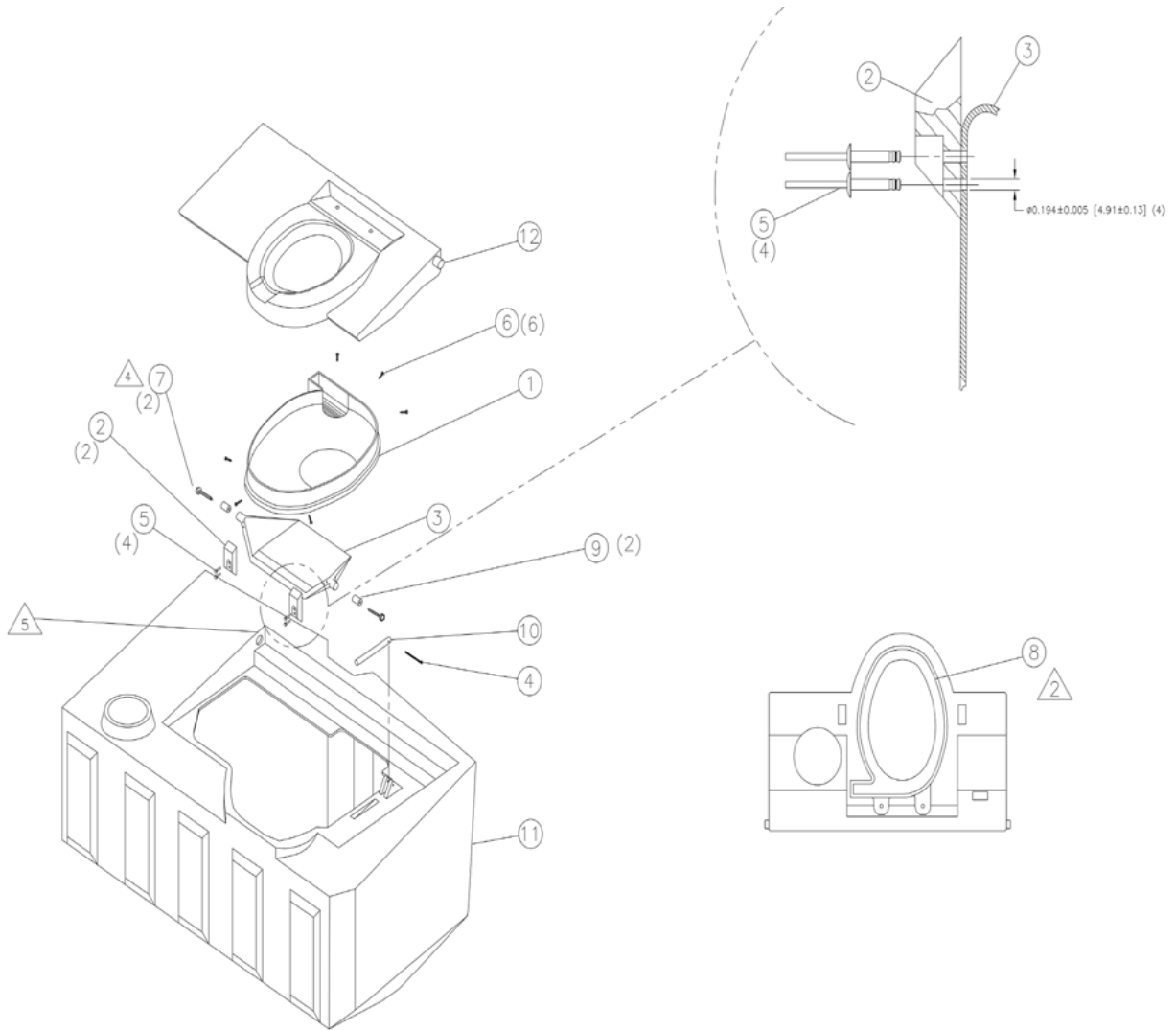
ITEM #	PART #	QPU	DESCRIPTION
	14968	1	TANK PKG- TUFWAY SWISH DGRY HANDFLUSH
	24208	1	PUMP ASSY- HANDFLUSH EU, CONTAINS:
12	12588	2	CLAMP- WORMDRIVE #12
13	15143	1	FILTER- RECIRCULATING FLUSH
15	14384	24	HOSE- #44 FLEX
16	19173	1	PUMP- BILGE WITH ELBOW
17	16949	1	SCREEN- TURBO RECIRC FILTER
18	11261	1	TIE- WIRE 6IN
19	17331	1	WEIGHT- TURBO RECIRC FILTER
	23994	1	TANK PKG- TUF SWISH DGRY NO PUMP, CONTAINS:
1	14932	1	BOWL, SWISH BLACK
2	15152	2	COUNTERWEIGHT- SWISH FLAPPER
3	14933	1	FLAPPER, SWISH BOWL
4	10851	1	PIN, COTTER 1/8"
5	14427	4	RIVET, #66 LSH WITH LOCK MANDREL
6	13860	2	SCREW, X 1 1/2" WITH WSH GOLD
7	10804	6	SCREW, #8 X 3/4" TAP GOLD
8	15292	15	SILICONE- CSL535 CLEAR
9	14506	2	SPACER, 0.260" ID X 0.750 LDPE
10	14964	1	STRUT, 5" POLYETHYLENE
11	14935	1	TANK, TUFWAY SWISH GREY
12	14936	1	TOP- SWISH GREY
	16410	1	KIT SWISH FLAPPER KIT, CONTAINS:
2	15152	2	COUNTERWEIGHT, SWISH FLAPPER
3	14933	1	FLAPPER, SWISH BOWL
5	14427	4	RIVET, #66 LSH WITH LOCK v1ANDREL

**TUFWAY® AND MONDO II RECIRCULATING FOOT FLUSH
BASE, FILTER, TANK & DECK ASSEMBLY**



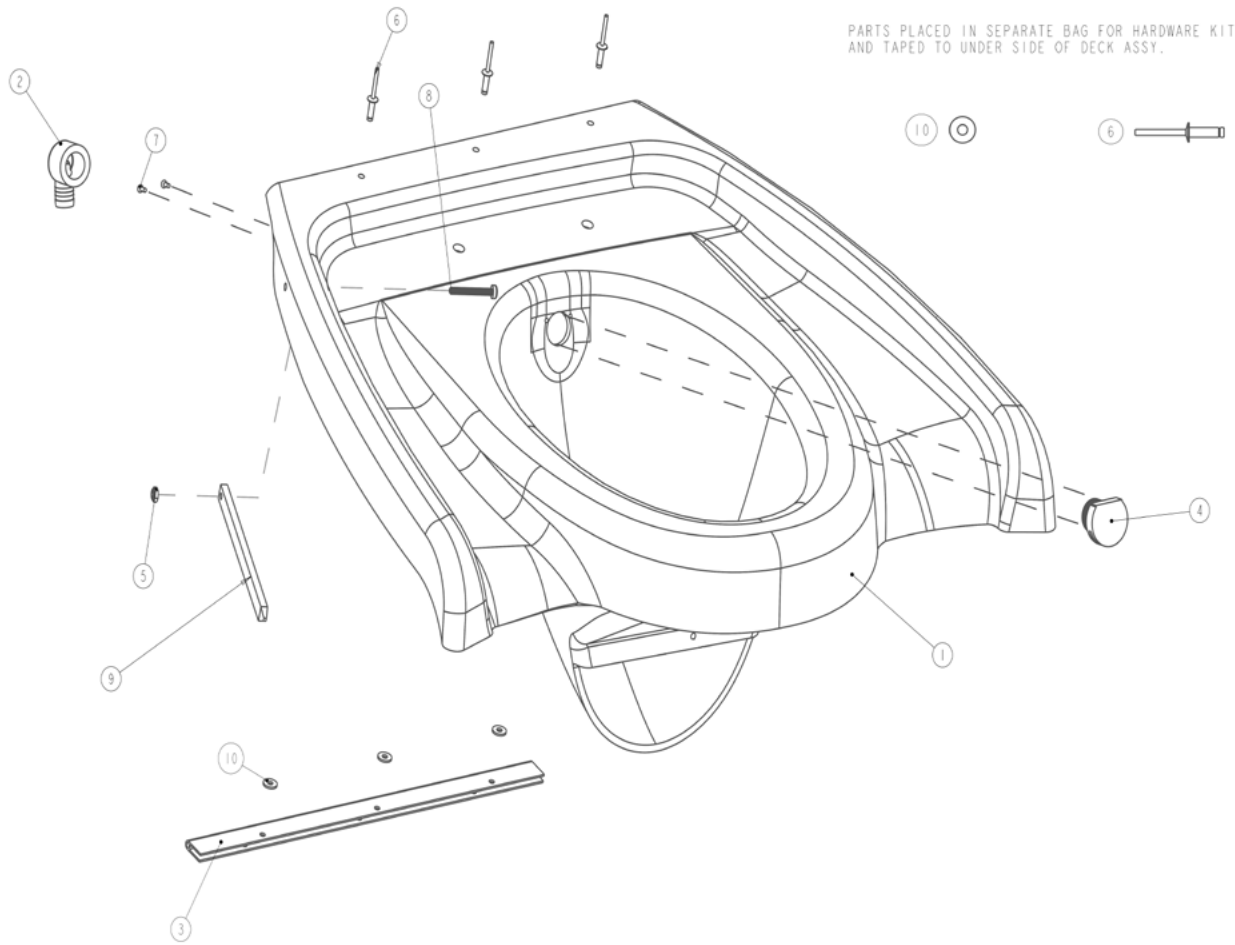
ITEM #	PART #	QPU	DESCRIPTION
	20935	1	TANK- TUFWAY FOOTFLUSH FLIPTOP
1	20936	1	DECK, TUFWAY FLUSH FLIPTOP
2	18145	1	ELBOW, 90 3/4 FPT X3/4 INS BLK
3	20937	1	HINGE, TUFWAY FLUSH FLIPTOP
4	20939	1	INSTRUCTION, TFW FOOTFLUSH FL/TP (NOT SHOWN)
5	14403	1	NOZZLE, SINGLE SLOT FLUSH
6	20903	1	NUT, #10-24 NYLOC STNLS
7	11027	8	RIVET, #66 ALUM
8	15537	2	SCREW, #4 X 3/8 FH STNLS
9	20842	1	SCREW, #10-24 X I-1/4 PH STNLS
10	23644	1	STRUT, TUFWAY FLUSH FLIPTOP VF
11	11315	12	WASHER, 3/16 RIVET STNLS

TUFWAY® AND MONDO II SWISH FOOT FLUSH



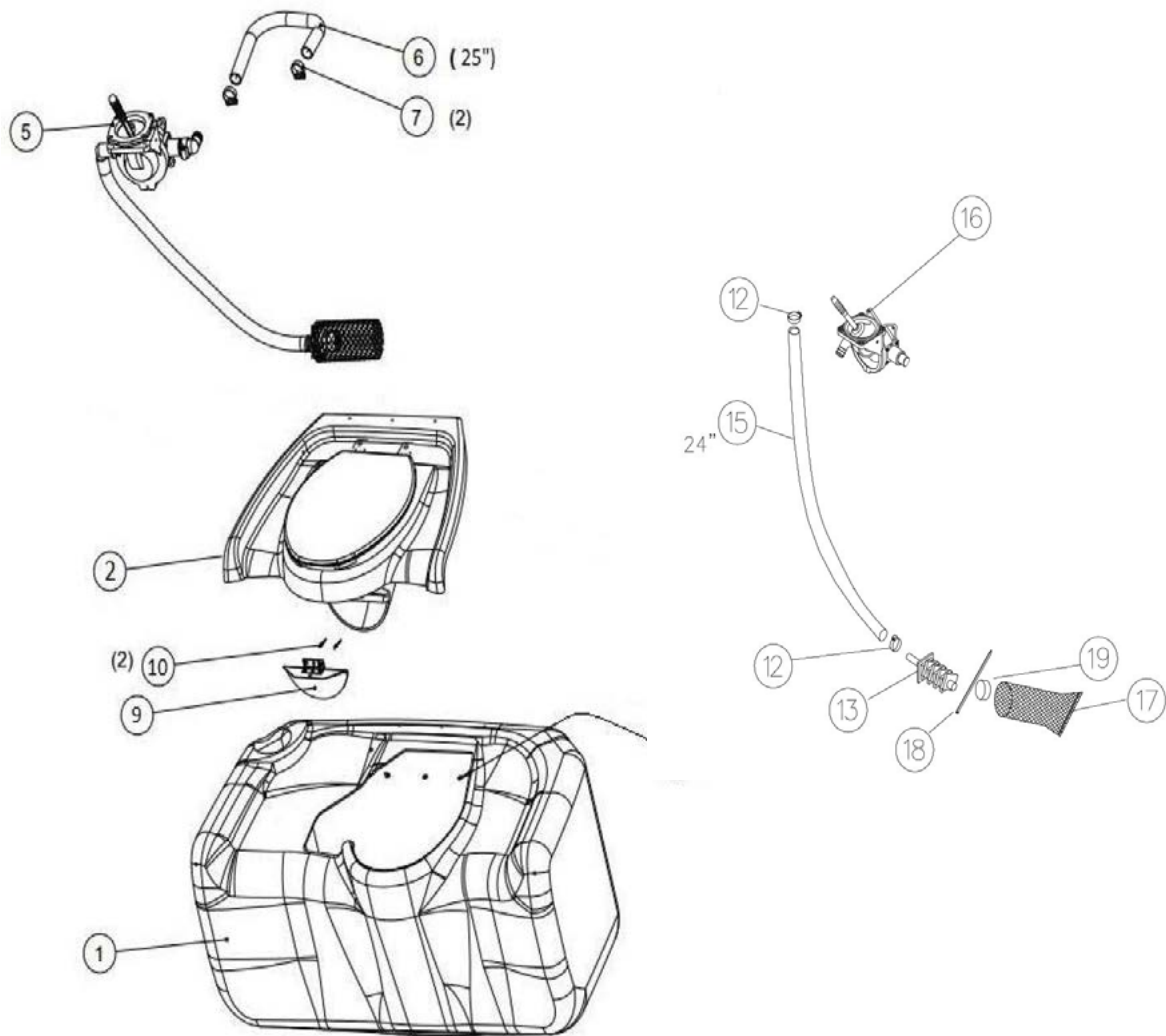
ITEM #	PART #	QPU	DESCRIPTION
	22405	1	TANK PKG- TUFWSWISH N/PUMP HOLE
1	14932	1	BOWL, SWISH BLACK
	16410	1	KIT SWISH FLAPPER KIT, WHICH CONTAINS:
2	15152	2	COUNTERWEIGHT, SWISH FLAPPER
3	14933	1	FLAPPER, SWISH BOWL
5	14427	4	RIVET, #66 LSH WITH LOCK v1ANDREL
4	10851	1	PIN, COTTER 1/8"
6	10804	6	SCREW, #8 X 3/4" TAP GOLD
7	13860	2	SCREW, #14 X 1-1/2" WITH WSH GOLD
8	15292	.15	SILICONE, CSL535 CLEAR (NOT SHOWN)
9	14506	2	SPACER, 0.260"ID X 0.750" LDPE
10	14964	1	STRUT, 5" POLYETHYLENE
11	14935	1	TANK, TUFWAY SWISH DGRY
12	22495	1	TOP, SWISH DGRY NO PUMP HOLE

MAXIM 3000 II - FLIP TOP



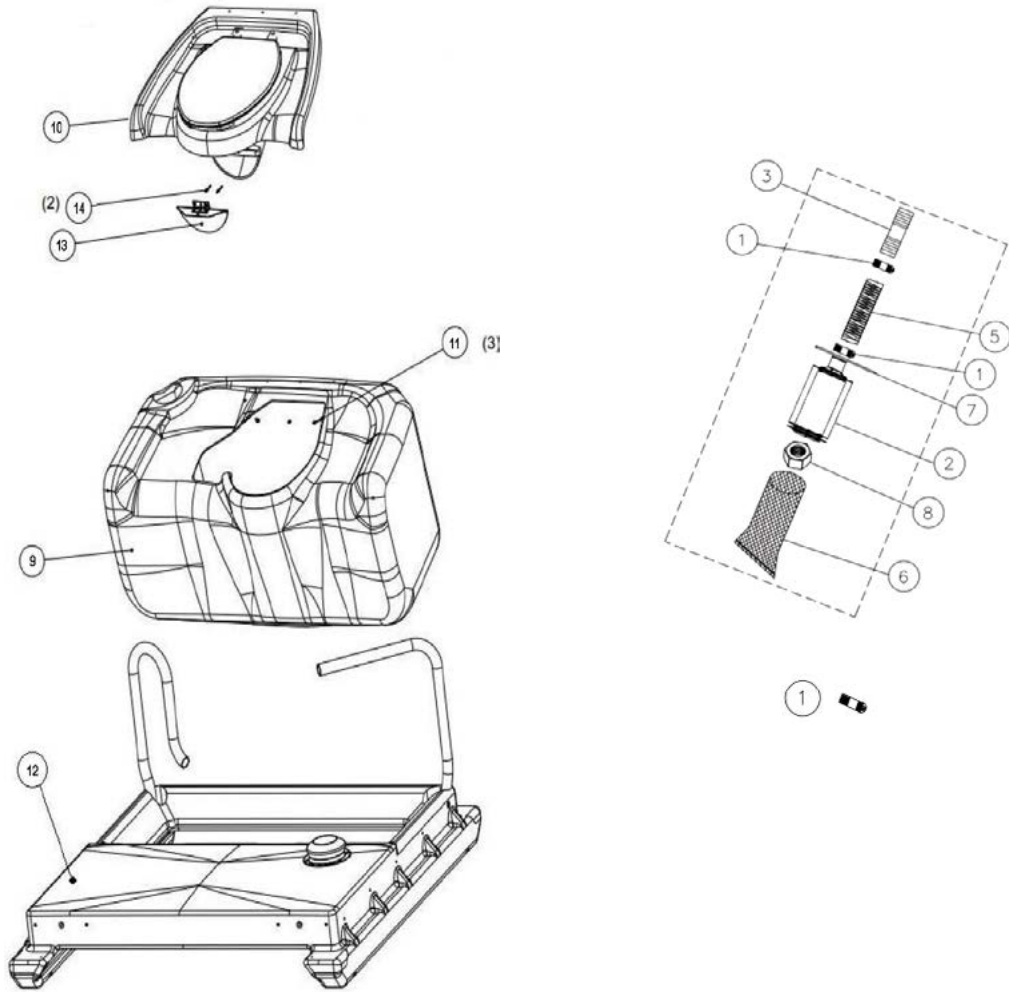
ITEM #	PART #	QPU	DESCRIPTION
	22303	1	DECK ASSY, CONTAINS:
1	22304	1	DECK, MX3 II FLIPTOP
2	18145	1	ELBOW- 90 3/4 FPT X 3/4 INS BLK
3	22399	1	HINGE - MX3 II FLIPTOP
4	14403	1	NOZZLE, SINGLE SLOT FLUSH
5	22372	1	NUT- HEX M5 X 0.8 NYLOC STNLS
6	11027	3	RIVET, #66 ALUM
7	15537	2	SCREW, #4 X 3/8 FH STAINLESS
8	22320	1	SCREW- M5-0.8 X 40 PH STNLS
9	23645	1	STRUT, MX3 II FLUSH FLIPTOP VF
10	11315	3	WASHER, 3/16 RIVET STNLS

MAXIM 3000 II - FLIP TOP HAND FLUSH



ITEM #	PART #	QPU	DESCRIPTION
1	22307	1	TANK- MX3 II FLIPTOP
2	22303	1	DECK ASSY- MX3 II FLIPTOP
5	24208	1	PUMP ASSY- HANDFLUSH EU
12	12588	2	CLAMP- WORMDRIVE #12
13	15143	1	FILTER- RECIRCULATING FLUSH
15	14384	24	HOSE- #44 FLEX
16	19173	1	PUMP- BILGE WITH ELBOW
17	16949	1	SCREEN- TURBO RECIRC FILTER
18	11261	1	TIE- WIRE 6IN
19	17331	1	WEIGHT- TURBO RECIRC FILTER
6	17096	1	HOSE- 3/4x25 GREEN
7	12588	2	CLAMP- WORMDRIVE #12 (PACKED WITH MX3 II KNOCKDOWN CABANA PARTS)
9	22315	1	KIT- FLAPPER MX3 II FLIPTOP - OPTIONAL ITEM
10	22321	2	RIVET #54 STNLS (PACKED WITH ITEM 9) - OPTIONAL ITEM

MAXIM 3000 II - FLIP TOP FOOT FLUSH

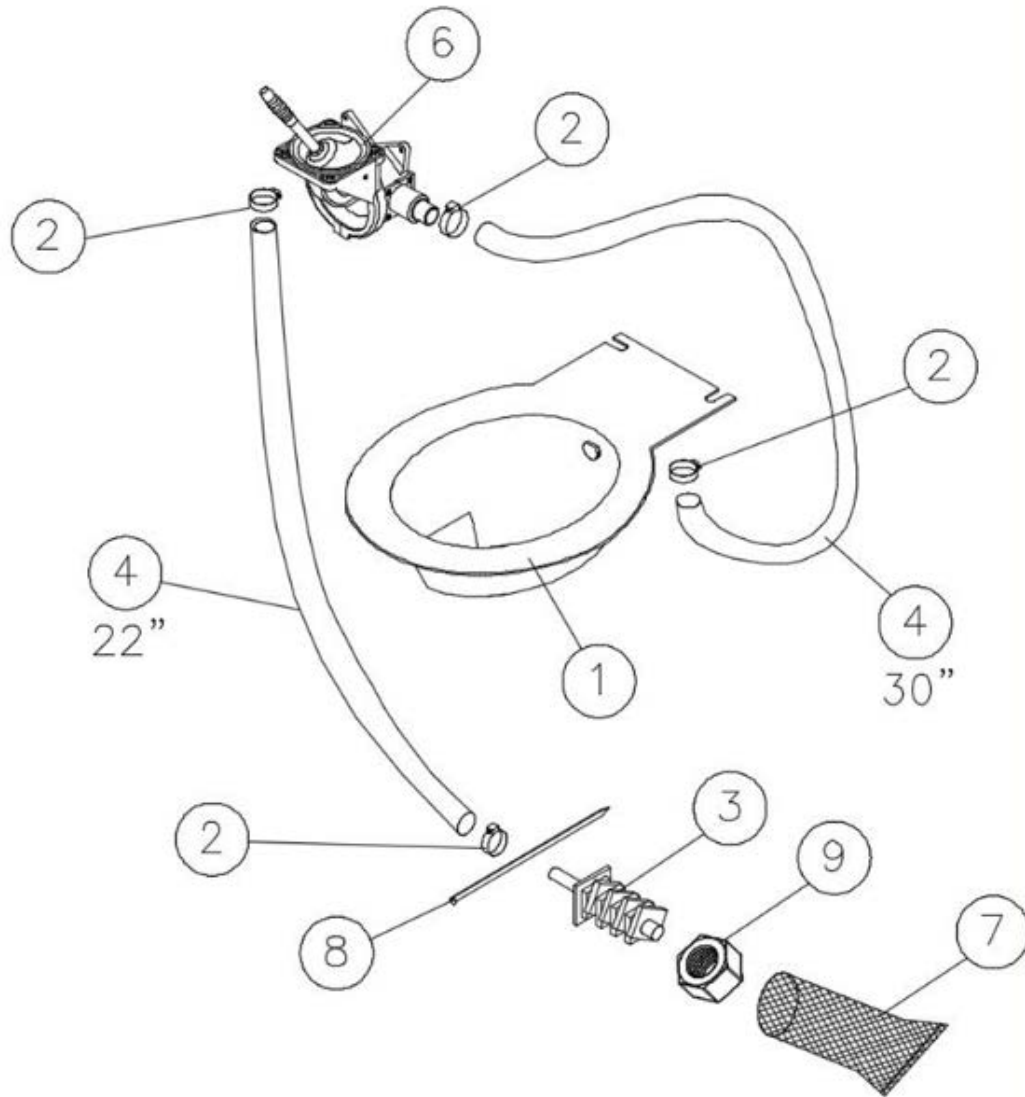


ITEM #	PART #	QPU	DESCRIPTION
9	22307	1	TANK- MX3 II FLIPTOP
10	22303	1	DECK ASSY- MX3 II FLIPTOP
11	24165	1	FILTER ASSY EU <small>CONTAINS</small>
1	12588	4	CLAMP- WORMDRIVE #12
2	15143	1	FILTER- RECIRCULATING FLUSH
3	21042	1	FITTING- 1IN INS X 1IN INS PVC
5	14384	10"	HOSE- #44 FLEX
6	16949	1	SCREEN- TURBO RECIRC FILTER
7	11261	1	TIE- WIRE 6IN
8	21697	1	NUT- 1-1/8-7 UNC STNLS
12	23416	1	BASE ASSY- IMPACT SOLID FOOTFLUSH EU <small>FOR DETAILS REFER TO PAGE 97</small>
13	22315	1	KIT- FLAPPER MX3 II FLIPTOP - OPTIONAL ITEM
14	22321	2	RIVET #54 STNLS (PACKED WITH ITEM 8) - OPTIONAL ITEM

IMPACT BASE FOOT FLUSH SOLID AND GRID FOR FLIPTOP AND SWISH BASE ASSEMBLY

ITEM #	PART #	QPU	DESCRIPTION
	23415	1	BASE ASSY- IMPACT GRID FOOTFLUSH EU
	23416	1	BASE ASSY- IMPACT SOLID FOOTFLUSH EU
1	23168	1	BASE ASSY- IMPACT GRID EU
	23169	1	BASE ASSY- IMPACT SOLID EU
4	12588	2	CLAMP- WORMDRIVE #12
5	17097	1	HOSE- 3/4 X 72 GREEN
6	20785	1	HOSE- 3/4 X 85 GREEN WITH CUFFS
7	21013	1	PUMP- ELBOW GUZZLER FOOT (PUMP WITHOUT ATTACHED ELBOWS, 17504, IS BEING SLOWLY DISCONTINUED)
	19041	1	KIT- GUZZLER STRAIGHT FT PUMP, Contains:
2	16969	1	BEZEL, BILGE FOOT PUMP
3	15801	1	BUTTON PUMP ²³⁶³⁶ - BOOT BUTTON PUMP (BLACK) MOST COMMONLY SOLD IN EUROPE
	17504	1	PUMP. STRAIGHT GUZZLER FOOT
8	17505	4	SCREW, #10-24 1-1/2" STNLS PH
	17096	1	HOSE, 3/4 X 25 GREEN
	24208	1	PUMP ASSY- HANDFLUSH EU, CONTAINS:
12	12588	2	CLAMP- WORMDRIVE #12
13	15143	1	FILTER- RECIRCULATING FLUSH
15	14384	24	HOSE- #44 FLEX
16	19173	1	PUMP- BILGE WITH ELBOW
17	16949	1	SCREEN- TURBO RECIRC FILTER
18	11261	1	TIE- WIRE 6IN
19	17331	1	WEIGHT- TURBO RECIRC FILTER
	24165	1	FILTER ASSY EU
1	12588	4	CLAMP- WORMDRIVE #12
2	15143	1	FILTER- RECIRCULATING FLUSH
3	21042	1	FITTING- 1IN INS X 1IN INS PVC
5	14384	10"	HOSE- #44 FLEX
6	16949	1	SCREEN- TURBO RECIRC FILTER
7	11261	1	TIE- WIRE 6IN
8	21697	1	NUT- 1-1/8-7 UNC STNLS
	20939	1	INSTRUCTION- TFW FOOTFLUSH RT/BS (SEE WEBSITE)

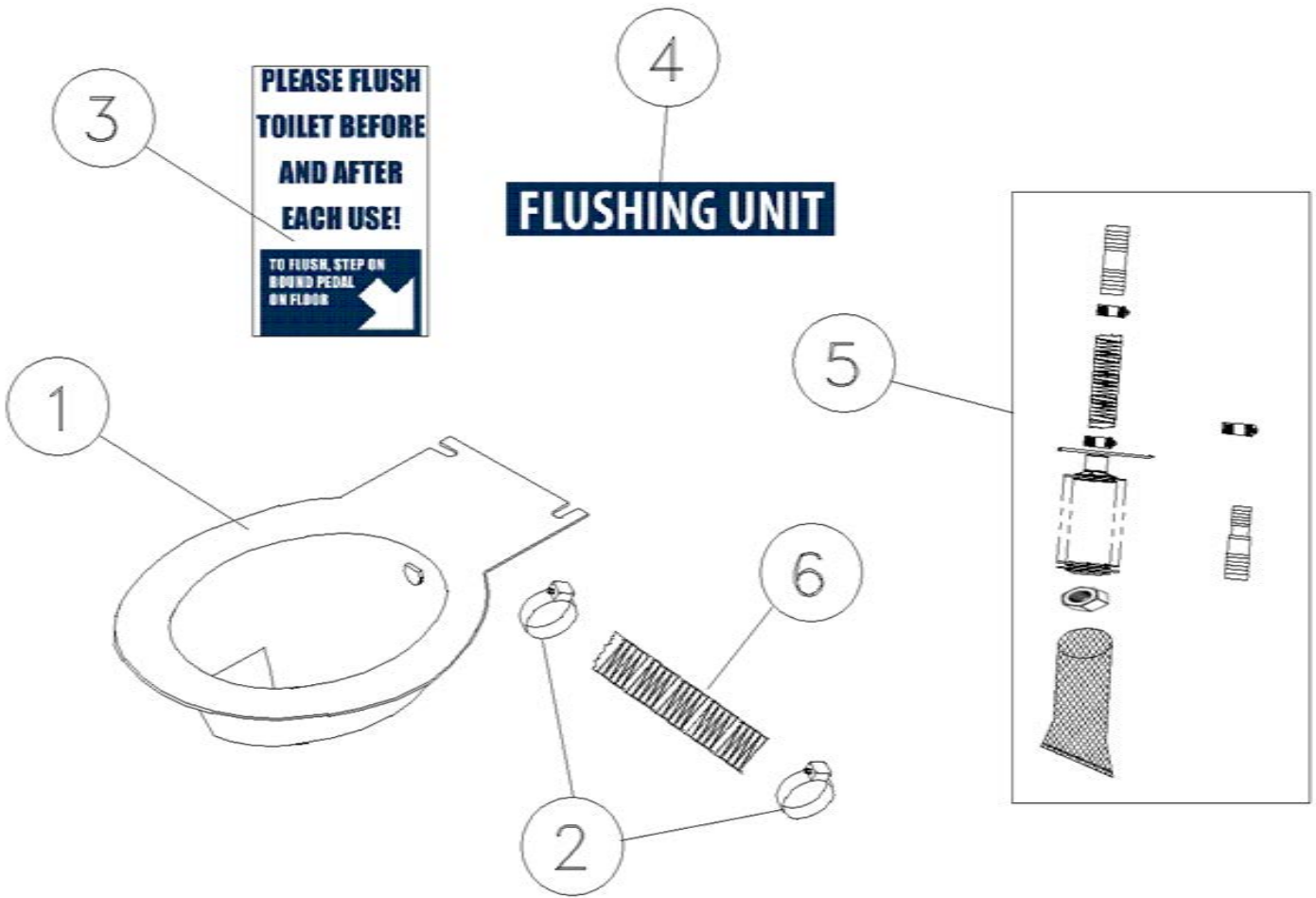
WESTERN FLUSH KIT



ITEM #	PART #	QPU	DESCRIPTION
	24209	1	KIT- RECIR HANDFLUSH NO/FLAP EU
1		1	BOWL ASSY- FLUSH-II
2	12588	4	CLAMP- WORMDRIVE #12
3	15143	1	FILTER- RECIRCULATING FLUSH
4	14384	52"	HOSE- #44 FLEX NOTE: 52" - INCHES NEEDED FOR THE ASSEMBLY. 1 INCHES EQUALS 2.54CM
5	15644	1	INSTRUCTIONS- WEST HANDFLUSH RECIR (SEE WEBSITE)
	21502	1	INLET- ELBOW BILGE PUMP
6	19173	1	PUMP- BILGE WITH ELBOW (ELBOW ONLY IS #14958 - FOR THE OLD ELBOW)
7	16949	1	SCREEN- TURBO RECIRC FILTER
8	11261	1	TIE- WIRE 6IN
9	21697	1	NUT- 1-1/8-7 UNC STNLS

**WESTERN FLUSH IS COMPATIBLE WITH: TUFWAY • MONDO • TAURUS • MAXIM 2000 • MAXIM 3000
MAXIM 3000 II • HIGH TECH I • GLOBAL • GLOBAL 1.5 • FREEDOM 3 • LIBERTY**

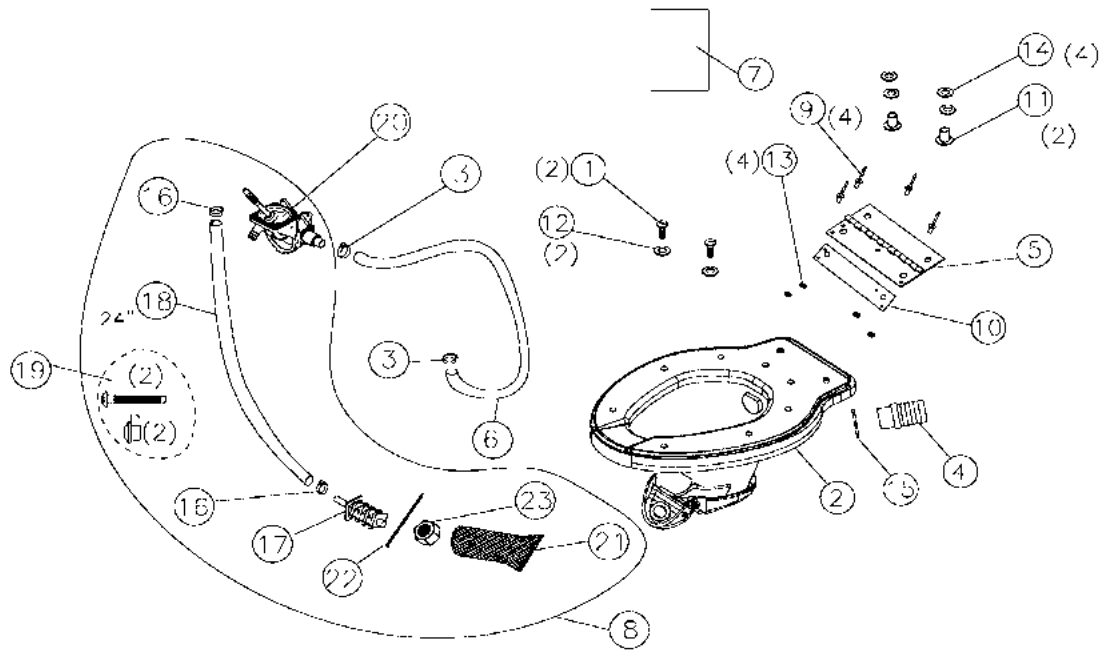
KIT- RECIRCULATING FOOT FLUSH NO/FLAPPER



ITEM #	PART #	QPU	DESCRIPTION
	21199	1	KIT- RECIR FOOTFLUSH NO/FLAP
1	18473	1	BOWL ASSY- WESTERN NO/FLAPPER
2	12588	2	CLAMP- WORMDRIVE #12
3	21150	2	DECAL- FOOT FLUSHING
4	21151	1	DECAL- FLUSHING UNIT
5	24165	1	FILTER ASSY EU
6	14384	6"	HOSE- #44 FLEX
7	21147	1	INSTR- RECICFOOTFLUSH NO FLAP (SEE WEBSITE)

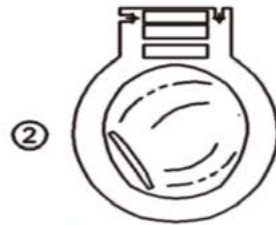
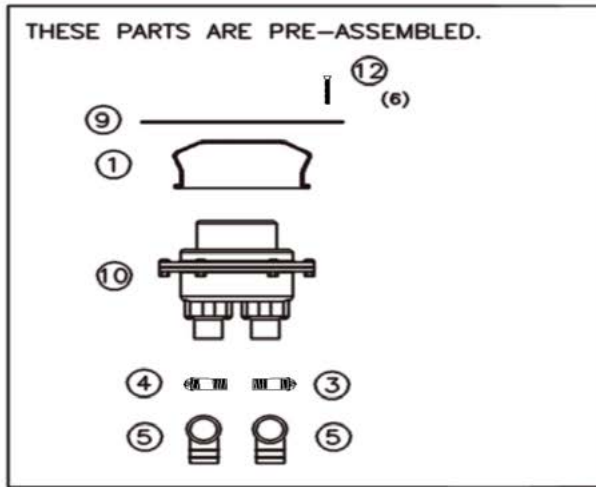
KIT- RECIR HANDFLUSH WITH FLAPPER

(USED IN ALL UNITS)



ITEM #	PART #	QPU	DESCRIPTION
	20946	1	KIT- RECIR HANDFLUSH WITH FLAPPER
1*	13216	2	BOLT- 1/4-20 X 3/4 SLOT PNHD
2	21208	1	BOWL ASSY-FOOTFLUSH HANDFLUSH WITH FLP
3	12588	2	CLAMP- WORMDRIVE #12
4	21212	1	FITTING- 3/4 FPT X 1 INS PVC
5	17169	1	HINGE- FLUSH BOWL
6	14384	22"	HOSE- #44 FLEX
7	20947	1	INSTR- RECIR HANDFLUSH WITH FLAP
8	24208	1	PUMP ASSY- HANDFLUSH EU
9	18798	4	RIVET- #616 AAL POP
10	19585	1	SPACER- STNLS BOWL
11	16884	2	T-NUT- 1/4-20 X 3/4 PLTD
12	12382	2	WASHER- 1/4 FLAT STNLS
13	11315	4	WASHER- 3/16 RIVET STNLS
14	11368	4	WASHER- 5/16 FLAT STNLS
15	21085	1	WASHER- 1IN FLAT STLNS
16	12588	2	CLAMP, WORMDRIVE #12
17	15143	1	FILTER, RECIRCULATING FLUSH
18	14384	24"	HOSE, #44 FLEX
19	19196	1	KIT, TOILET SEAT 2-1/2 BOLT/ NUT SET
20	19173	1	PUMP, BILGE WITH ELBOW
21	16949	1	SCREEN, TURBO RECIRC FILTER
22	11261	1	TIE, WIRE 6IN.
23	21697	1	NUT 1-1/8-7 UNC STNLS
	14965	1	INSTRUCTIONS, HANDFLUSH (SEE WEBSITE)

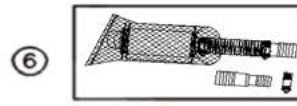
DISCONTINUED



PN 18473



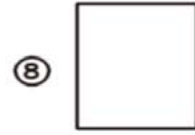
PN 12588



PN 21048



PN 20785



PN 20787



PN 18755

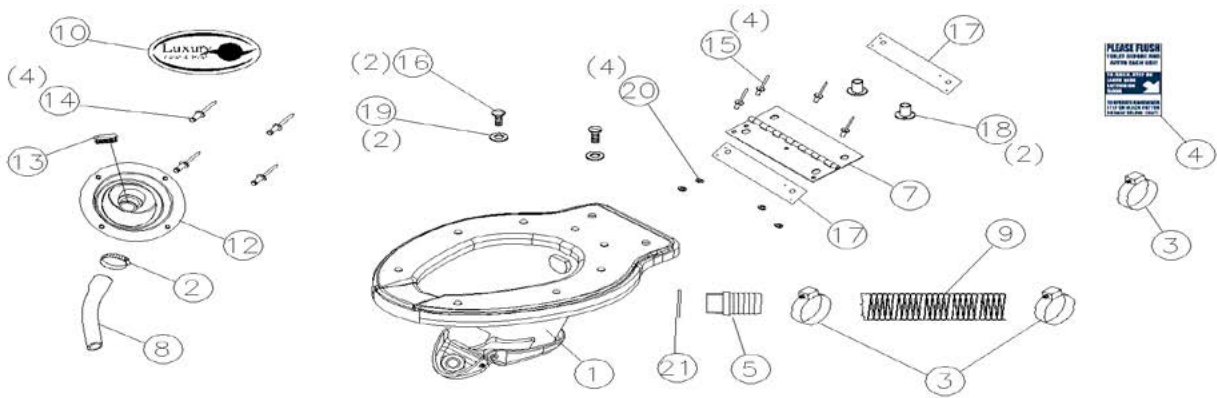


PN 17644

ITEM #	PART #	QPU	DESCRIPTION
	20786	1	KIT- MX3/TRS REC FOOTFLUSH WST/BL
1	15801	1	BOOT- BUTTON PUMP (BLUE)
2	18473	1	BOWL ASSY- WESTERN NO/FLAPPER
3	17498	1	CLAMP- #30 HI-TORQUE
4	12588	3	CLAMP- WORMDRIVE #12
5	14958	2	ELBOW- 90 1in PMP SLP X BOR HS
6		1	FILTER ASSY- RECIRC FOOTFLUSH
7	20785	2	HOSE- 3/4 X 85 GREEN WITH CUFFS
8	20787	1	INSTR- MX3/TRS REC FOOTFLUSH WITH BL
9	18970	1	PLATE- HT2 FLUSH PUMP
10	17504	1	PUMP- STRAIGHT GUZZLER FOOT
11	18755	8	RIVET- AVDEL SILVER LONG
12	19184	6	SCREW- #10-24 1-1/2 STNLS PHPN
13	17644	1	TUBE- RESTRICTOR

* Only sold in multiples of 100

KIT- MAXIM3000 FRESH FOOT FLUSH PLASTIC WITH FLAPPER
REPLACEMENT PARTS ONLY

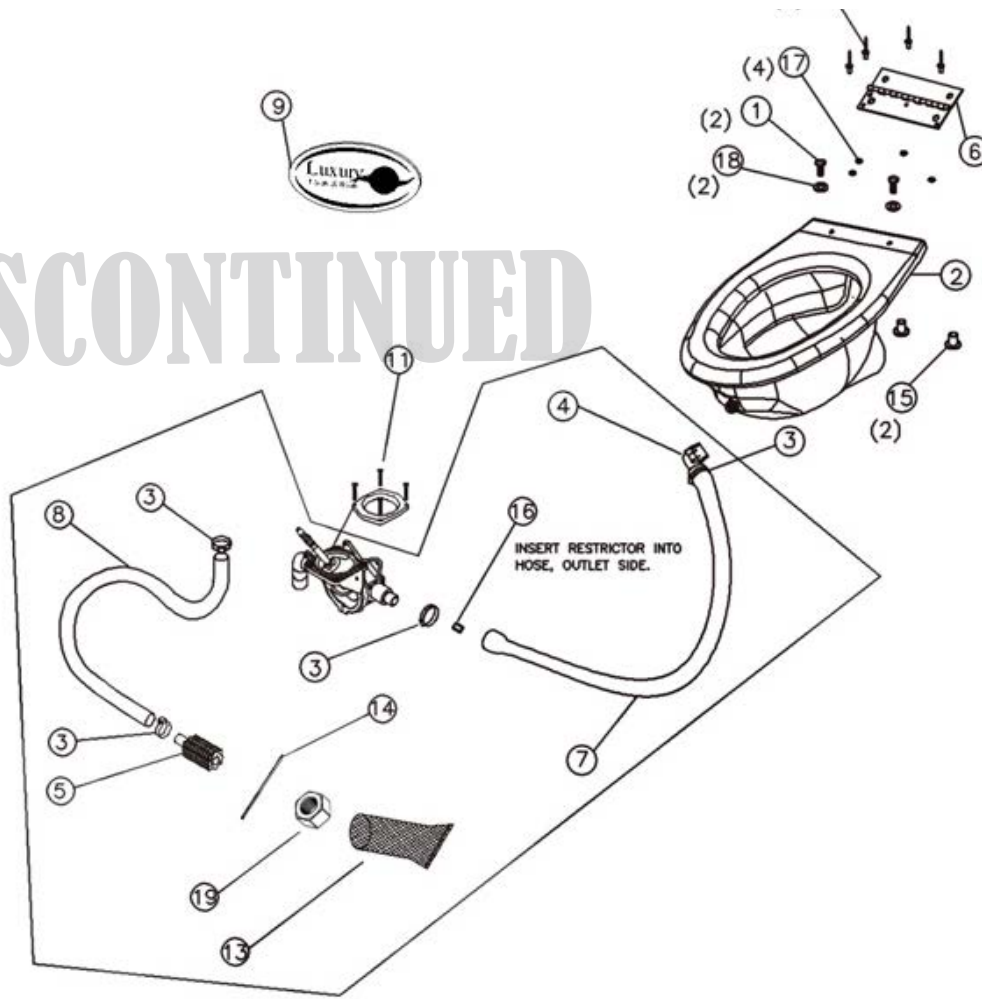


DISCONTINUED

ITEM #	PART #	QPU	DESCRIPTION
	21765	1	KIT- MX3 FRSH FOOTFLUSH PL WITH FLAP
1	21208	1	BOWL ASSY- PLST FOOTFLUSH WITH FLAP
2	10281	1	CLAMP- WORMDRIVE #20
3	12588	3	CLAMP- WORMDRIVE #12
4	21150	1	DECAL- FOOT FLUSHING
5	21212	1	FITTING- 3/4 FPT X 1 INS PVC
	20943	1	FLAPPER- MX3 TURBO BOWL STNLS (works on plastic)
7	17169	1	HINGE- FLUSH BOWL
8	15968	1	HOSE- 1 X 8 GREEN
9	14384	8"	HOSE- #44 FLEX
10	17318	1	ICON- UPGRADE DECAL
11	21766	1	INSTR- MX3 FRSH FOOTFLUSH WITH FLAP
12	16858	1	PLATE- MX3 FILL/PUMP-OUT DGRY
13	22383	1	PLUG- URINAL MX3 3000 II
14*	17436	4	RIVET- AVDEL SILVER
15	18798	4	RIVET- #616 AAL POP
16*	18718	2	SCREW- 1/4-20 X 1 TRUSS HEAD
17	19585	2	SPACER- STNLS BOWL
18	16884	2	T-NUT- 1/4-20 X 3/4 PLTD
19	12382	2	WASHER- 1/4 FLAT STNLS
20	11315	4	WASHER- 3/16 RIVET STNLS
21	21085	1	WASHER- 1in FLAT STLNS

KIT- MAXIM3000 REC HAND FLUSH NO/FLAPPER
REPLACEMENT PARTS ONLY

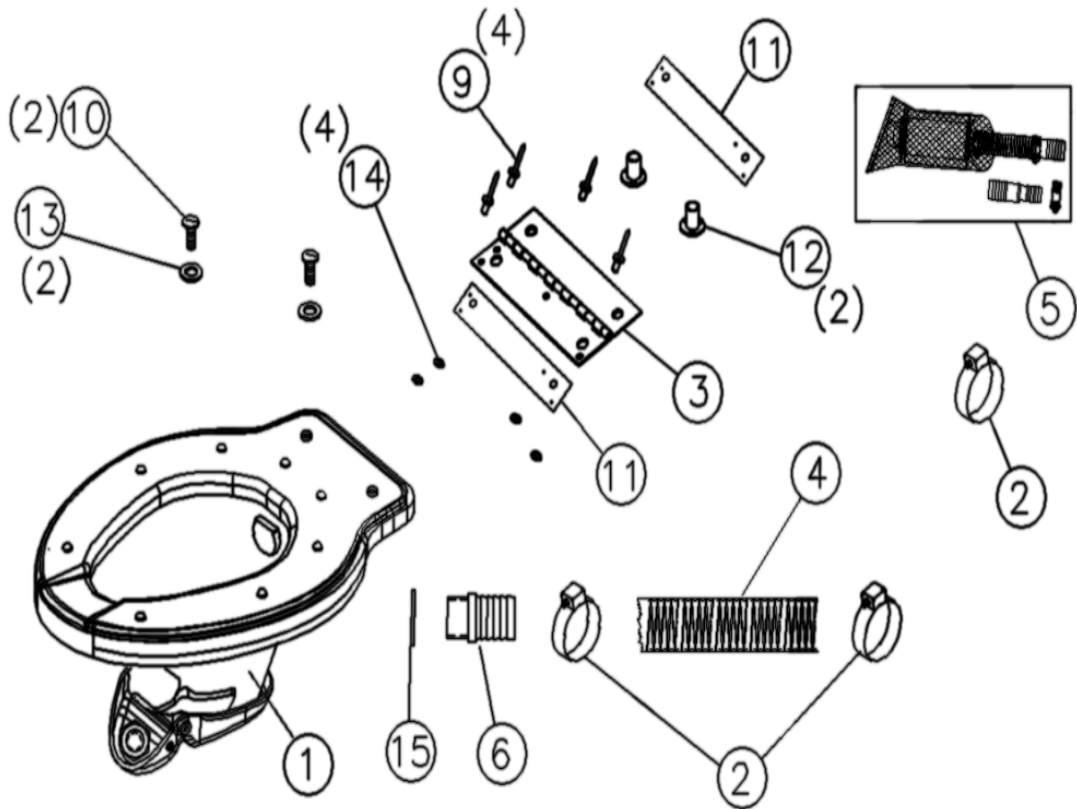
DISCONTINUED



ITEM #	PART #	QPU	DESCRIPTION
	17642	1	KIT- MX3 REC HANDFLUSH NO/FLAP
1*	13216	2	BOLT- 1/4-20 X 3/4 SLOT PNHD
2	17442	1	BOWL ASSY- MX3 PLST NO/FLAPPER
3	12588	4	CLAMP- WORMDRIVE #12
4	18145	1	ELBOW- 90 3/4 FPT X3/4 INS BLK
5	15143	1	FILTER- RECIRCULATING FLUSH
6	17169	1	HINGE- FLUSH BOWL
7	17643	1	HOSE- 3/4 X 28 GREEN
8	14384	35"	HOSE- #44 FLEX
9	17318	1	ICON- UPGRADE DECAL
	17645	1	INSTR- MX3 RECI HANDFLUSH NO/FLAP
11	19173	1	PUMP- BILGE WITH ELBOW (ELBOW ONLY #14958)
12*	11270	4	RIVET- #68 STNLS
13	16949	1	SCREEN- TURBO RECIRC FILTER
14	11261	1	TIE- WIRE 6IN
15	16884	2	T-NUT- 1/4-20 X 3/4 PLTD
16	17644	1	TUBE- RESTRICTOR
17*	11315	4	WASHER- 3/16 RIVET STNLS
18*	12382	2	WASHER- 1/4 FLAT STNLS
19	21697	1	NUT- 1-1/8-7 UNC STNLS

KIT- MAXIM3000/3000 II RECIRCULATING FLUSH WITH FLAPPER

CAN BE USED ON TUFWAY- MAXIM 3000- MAXIM 3000 II- GLOBAL- GLOBAL 1.5 & HIGH RISE



ITEM #	PART #	QPU	DESCRIPTION
	24167	1	KIT- MX3/TUF REC F/FL W/FLP EUT
1	21208	1	BOWL ASSY- PLST FOOTFLUSH WITH FLAP
2	12588	3	CLAMP- WORMDRIVE #12
3	17169	1	HINGE- FLUSH BOWL
4	14384	8"	HOSE- #44 FLEX
5	24165	1	FILTER ASSY EU
6	21212	1	FITTING- 3/4 FPT X 1 INS PVC
	20943	1	FLAPPER- MX3 TURBO BOWL STNLS (works on plastic)
8	21333	1	INSTR-KIT- MX3/MX3II/TUF REC F/FLW/FLP (SEE WEBSITE)
9	18798	4	RIVET- #616 AAL POP
10*	18718	2	SCREW- 1/4-20 X 1 TRUSS HEAD
11	19585	2	SPACER- STNLS BOWL
12*	16884	2	T-NUT- 1/4-20 X 3/4 PLTD
13*	12382	2	WASHER- 1/4 FLAT STNLS
14*	11315	4	WASHER- 3/16 RIVET STNLS
15	21085	1	WASHER- 1in FLAT STLNS



HEAVY-DUTY ALUMINUM TRAILERS



MULTIPLE UNITS IN STOCK AND READY TO SHIP

TWO UNIT COMBO, TWO UNIT & SINGLE UNIT TRAILERS

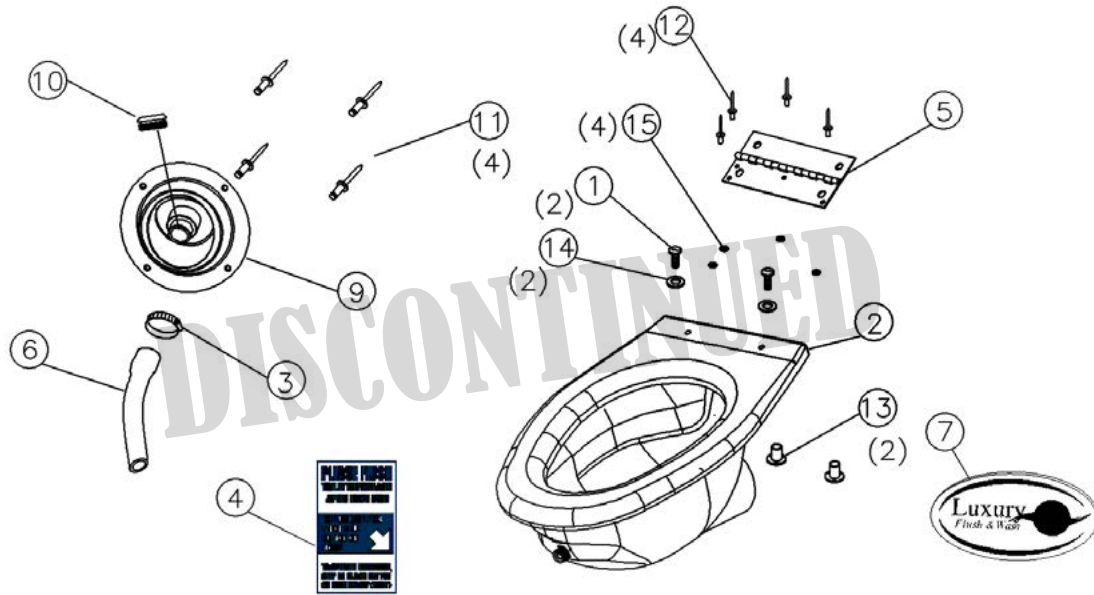
*TUFWAY RED IS A SPECIALTY COLOR. MINIMUM QUANTITY ORDER REQUIRED.

INFORMATION@SATELLITEINDUSTRIES.COM | SATELLITEINDUSTRIES.COM | 800.883.1123



MAXIM 3000® FRESH FLUSH PLASTIC

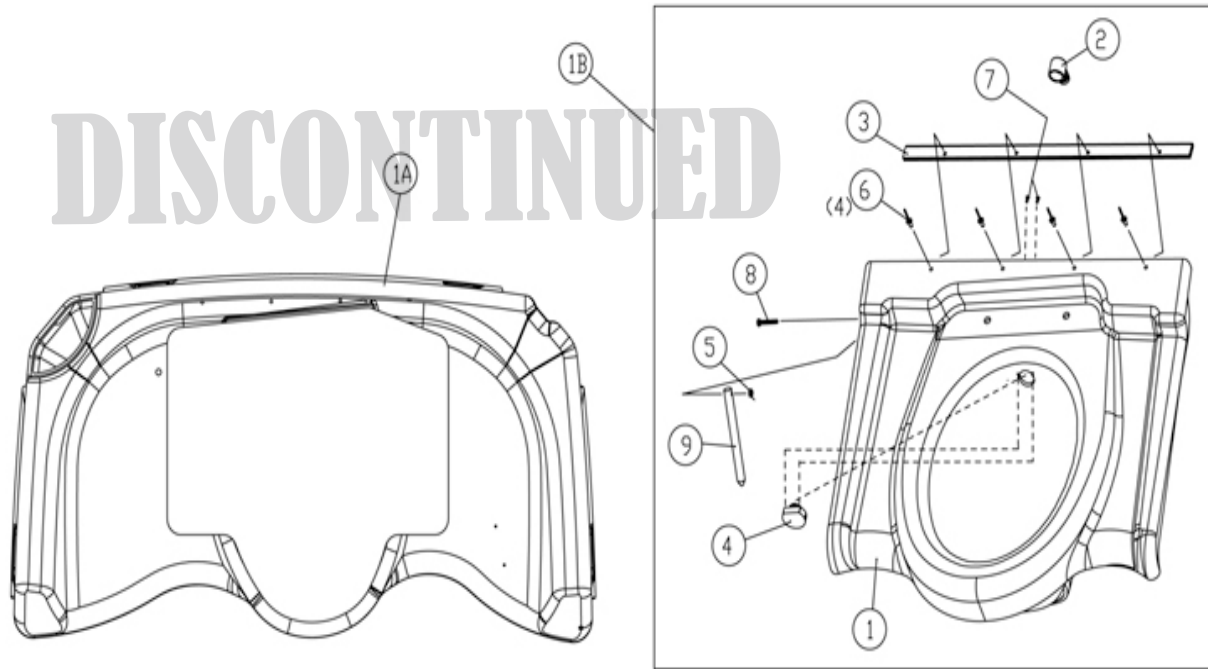
ONLY FOR MAXIM3000 V.1



REV K ITEM #	PART #	QPU	DESCRIPTION
	17816	1	KIT- MX3 FRESH FOOT PLST BOWL
1*	13216	2	BOLT- 1/4-20 X 3/4 SLOT PNHD
2	17442	1	BOWL ASSY- MX3 TURBO WITH COLLAR
3	10281	1	CLAMP- WORMDRIVE #20
4	21150	1	DECAL- FOOT FLUSH
5	17169	1	HINGE- FLUSH BOWL
6	15968	1	HOSE- 1 X 8 GREEN
7	17318	1	ICON- UPGRADE DECAL
9	16858	1	PLATE- FILL/PUMP-OUT
10	17224	1	PLUG- 1-5/8 ROUND HOLE
11*	17436	4	RIVET- AVDEL SILVER
12*	11270	4	RIVET- #68 STNLS
13*	16884	2	T-NUT- 1/4-20 X 3/4 PLTD
14*	12382	2	WASHER- 1/4 FLAT STNLS
15*	11315	4	WASHER- 3/16 RIVET STNLS
	19050	1	INSTRUCTIONS- MX3 TUR PLST <small>BLOW (SEE WEBSITE)</small>

* Only sold in multiples of 100

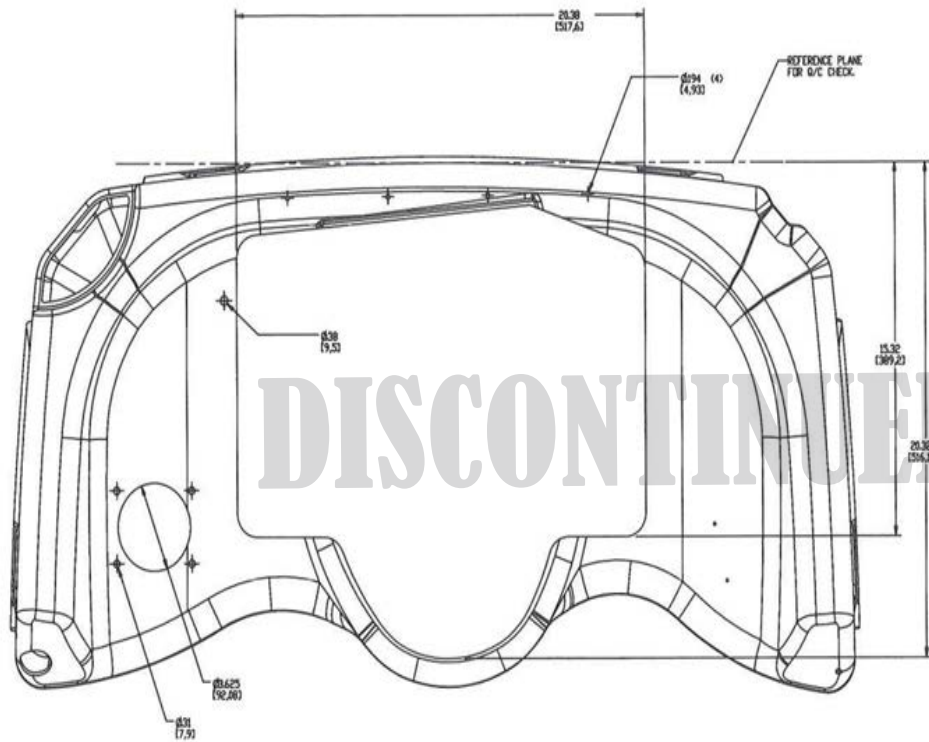
MAXIM 3000 FLIP TOP FOOT FLUSH



ITEM #	PART #	QPU	DESCRIPTION
	21753	1	TANK PKG- MX3 FOOTFLUSH FP (CONTAINS 20595, 20596, 24165)
1A	20595	1	TANK- MX3 FOOTFLUSH FLIPTOP
1B	20596	1	DECK ASSY- MX3 FLIPTOP
1	20594	1	DECK- MX3 FLUSH FLIPTOP
2	18145	1	ELBOW- 90 3/4 FPT X3/4 INS BLK
3	20937	1	HINGE- TUFWAY FLUSH FLIPTOP
4	14403	1	NOZZLE- SINGLE SLOT FLUSH DGRY
5	20903	1	NUT- #10-24 NYLOC STNLS
6	11027	4	RIVET- #66 ALUM
7	15537	2	SCREW- #4 X 3/8 FH STNLS
8	20842	1	SCREW- #10-24 X 1-1/4 PH STNLS
9	20938	1	STRUT- TUFWAY FLUSH FLIPTOP
	24165	1	FILTER ASSY EU

* Enquire for spares availability

MAXIM 3000 FLIP TOP HAND FLUSH

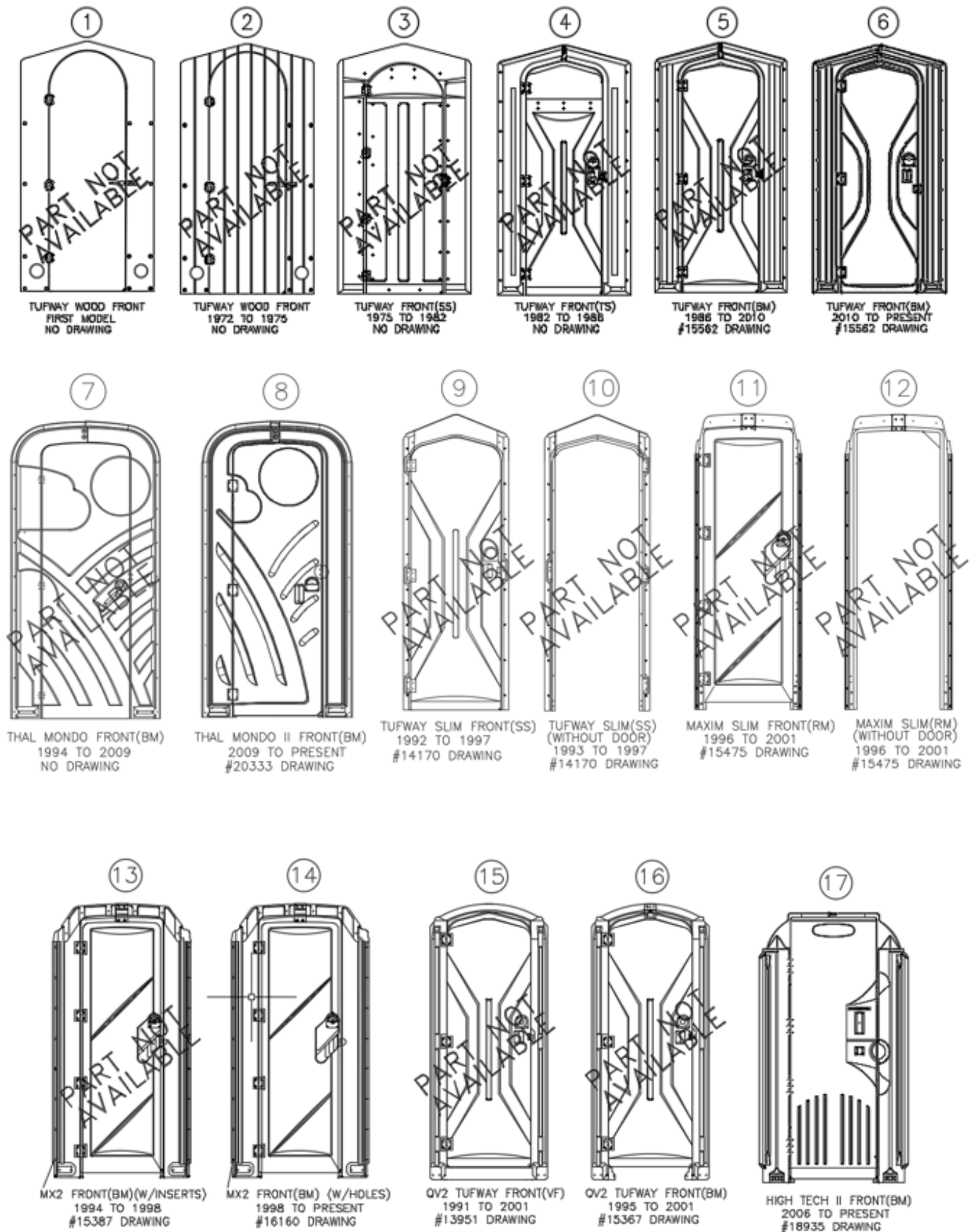


DISCONTINUED

ITEM #	PART #	QPU	DESCRIPTION
	21752	1	TANK PKG- MX3 HANDFLUSH FP (contains 12588, 20596, 17096, 24208, 20593)
	20596	1	DECK ASSY- MX3 FLIPTOP
	20593	1	TANK- MX3 HANDFLUSH FLIPTOP
	12588	2	CLAMP- WORMDRIVE #12
	17096	1	HOSE- 3/4 X 25 GREEN
	24208	1	PUMP ASSY- HANDFLUSH EU

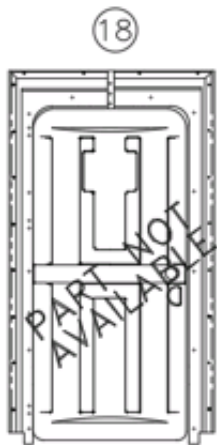
FRONT ASSEMBLY CHART (INCLUDES DISCONTINUED MODELS - SEE PREVIOUS CATALOGS)

THE ACTIVE FRONT IS THE REPLACEMENT FRONT FOR OLDER VERSION FRONT

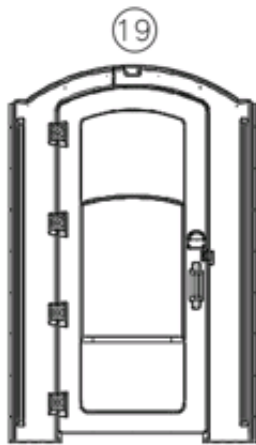


* For specific PNs of current fronts in each color, please refer to each Unit Major Assembly pages.

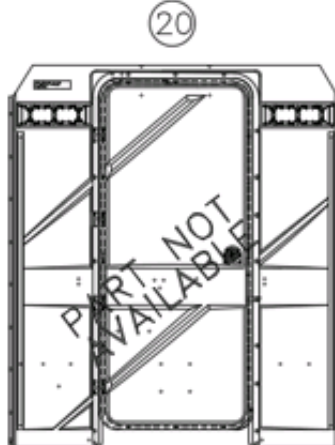
FRONT ASSEMBLY CHART CONTINUED (INCLUDES DISCONTINUED MODELS - SEE PREVIOUS CATALOGS)



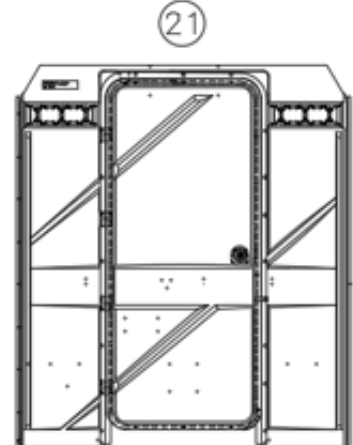
WCA (HCP) FRONT(SS)
1987 TO 1997
#10518 DRAWING



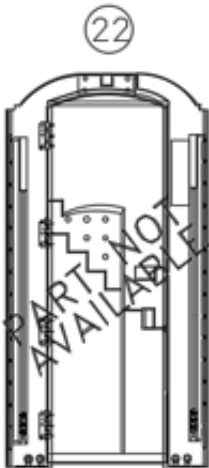
LIBERTY FRONT(TS)
2003 TO PRESENT
#18011 DRAWING



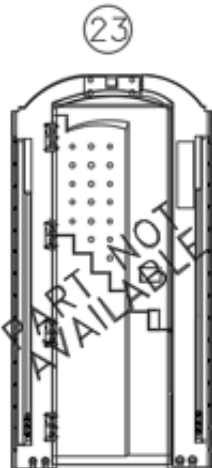
FREEDOM2 FRONT(SS)(W/CLIPS)
1994 TO 1996
NO DRAWING



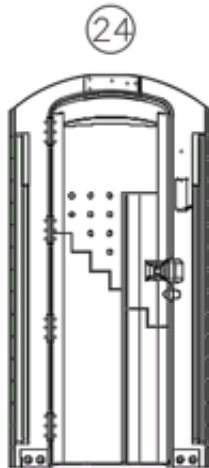
FREEDOM2 FRONT(SS)(W/RIVETS)
1996 TO PRESENT
#15167 DRAWING



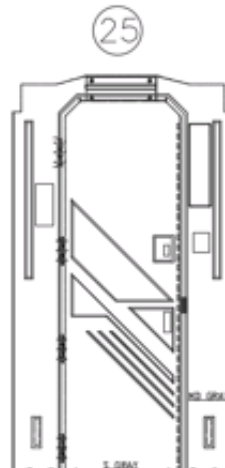
TAURUS ECLIPSE
FRONT(TS)
2003 TO 2005
NO DRAWING



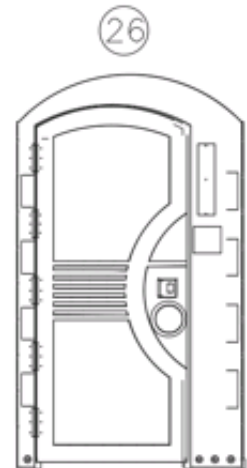
TAURUS FRONT(TS)
1996 TO 2005
NO DRAWING



TAURUS FRONT(BM)
2005 TO PRESENT
#18765 DRAWING

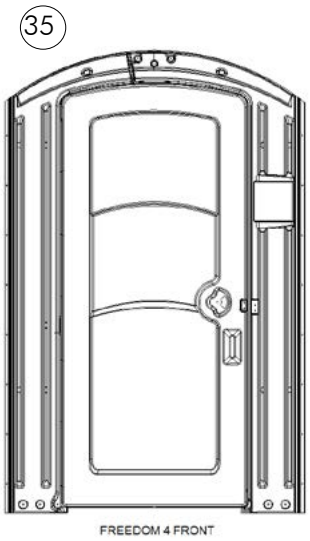
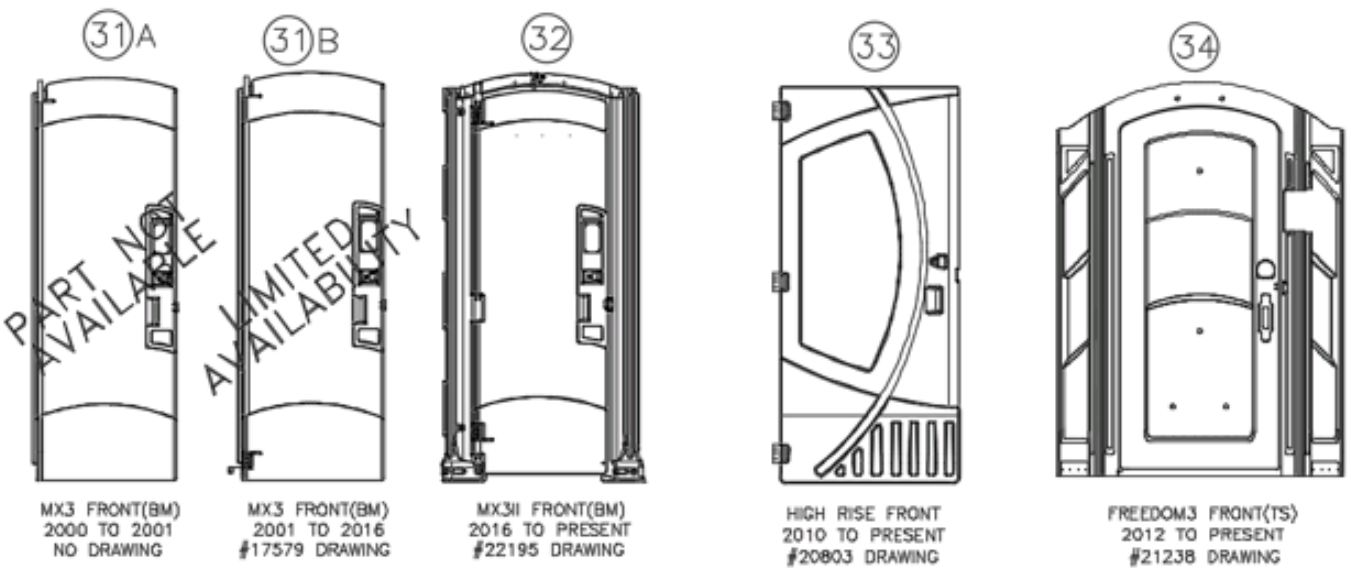
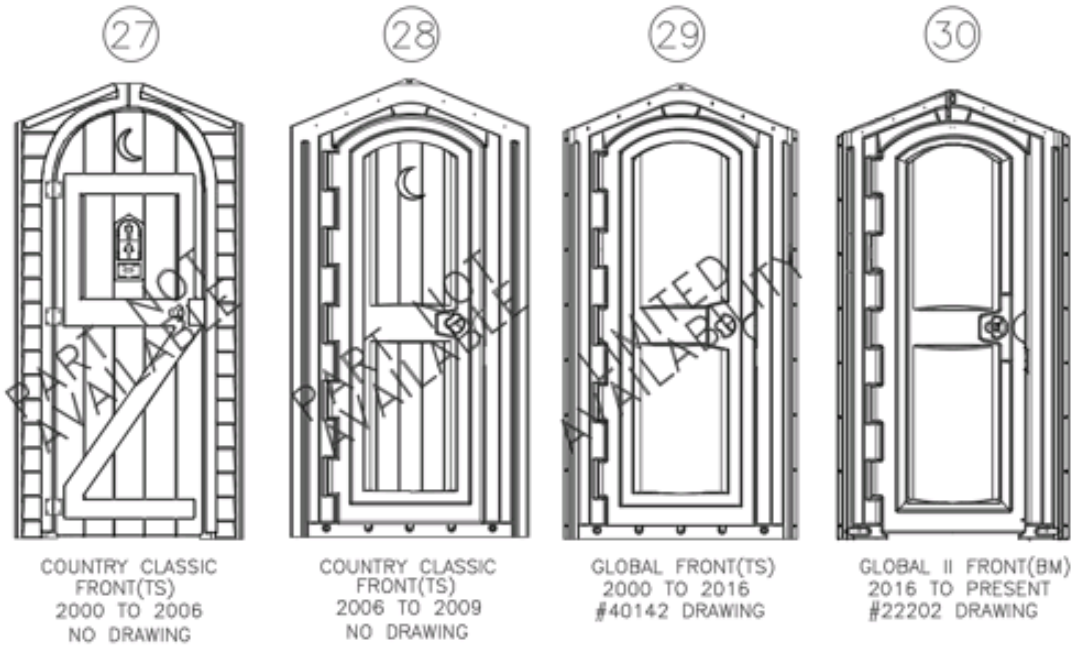


HIGH TECH FRONT(TS)
1992 TO PRESENT
#18637 DRAWING



WORLD CARE FRONT(TS)
1996 TO PRESENT
#18646 DRAWING

FRONT ASSEMBLY CHART CONTINUED (INCLUDES DISCONTINUED MODELS - SEE PREVIOUS CATALOGS)



ROOF CHART (INCLUDES DISCONTINUED MODELS - SEE PREVIOUS CATALOGS)

①



②



(FRONT VIEW)



③



(FRONT VIEW)



④



(FRONT VIEW)



⑤



(FRONT VIEW)



TUFWAY WOOD ROOF
1958 TO 1972
NO DRAWING

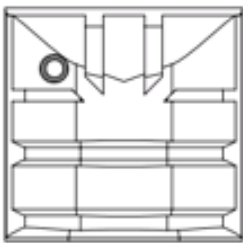
TUFWAY PEAK ROOF
1972 TO 2006
#15224 DRAWING

TUFWAY DOME ROOF
1987 TO PRESENT
#16045 DRAWING

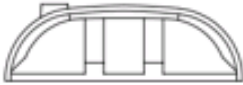
TUFWAY PEAK EASTERN ROOF
1988 TO PRESENT
#13298 DRAWING

TUFWAY ULTRASAN ROOF
1990 TO 2003
#13778 DRAWING

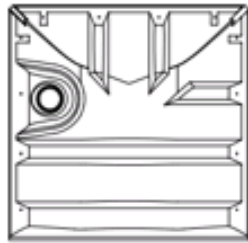
⑥



(FRONT VIEW)



⑦



(FRONT VIEW)



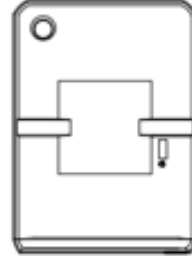
⑧



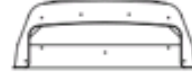
(FRONT VIEW)



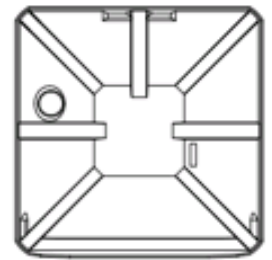
⑨



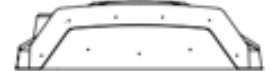
(FRONT VIEW)



⑩



(FRONT VIEW)



THAL MONDO ROOF
1994 TO PRESENT
NO DRAWING
#19975

THAL MONDO II ROOF
2009 TO PRESENT
#20337 DRAWING

TUFWAY SLIM ROOF
1992 TO 1997
#15223 DRAWING

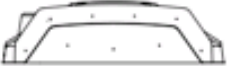
MAXIM 2000 SLIM ROOF
1996 TO PRESENT
#15510 DRAWING

MAXIM 2000 ROOF
1994 TO PRESENT
#16167 DRAWING

⑪



(FRONT VIEW)



⑫



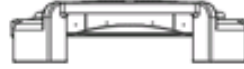
(FRONT VIEW)



⑬



(FRONT VIEW)



⑭



(FRONT VIEW)



⑮



LIBERTY ROOF
2003 TO PRESENT
#18036 DRAWING

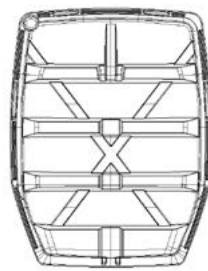
MAXIM 2000 EW/NS ROOF
1998 TO PRESENT
#16169 DRAWING

QV2 ROOF
1991 TO PRESENT
#13955 DRAWING

HIGH TECH 2 ROOF
2006 TO PRESENT
#18938 DRAWING

WCA (HCP) ROOF
1987 TO 1997
#15225 DRAWING

⑯



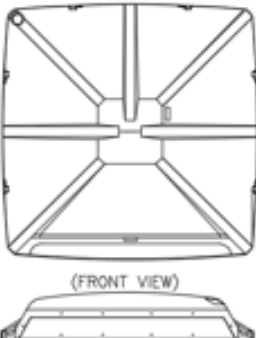

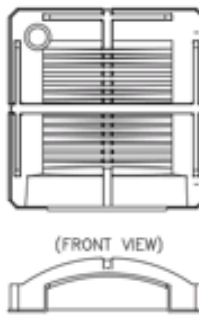
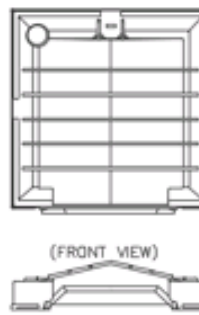

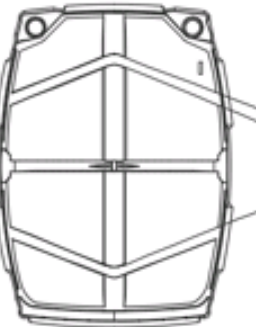

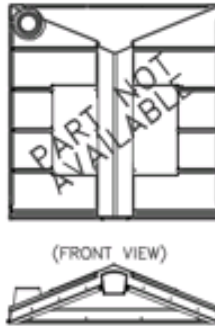
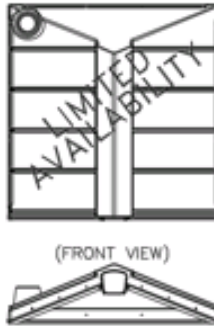
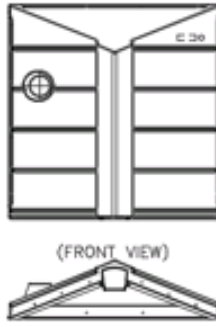


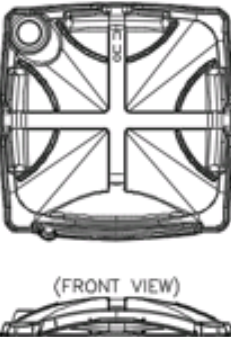
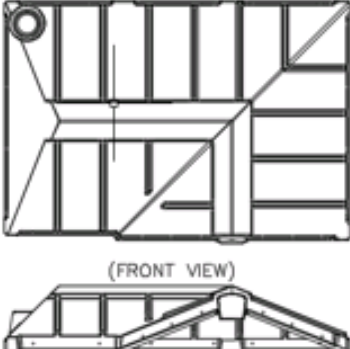
FREEDOM 3 ROOF

⑰



FREEDOM 4 ROOF

ROOF CHART CONTINUED (INCLUDES DISCONTINUED MODELS - SEE PREVIOUS CATALOGS)

<p>16</p>  <p>(FRONT VIEW)</p> <p>FREEDOM2 ROOF 1994 TO PRESENT #14510 DRAWING</p>	<p>17</p>  <p>(BACK VIEW)</p> <p>(FRONT VIEW)</p> <p>FREEDOM2 SROWT ROOF 1997 TO 2001 #15924 DRAWING (CUSTOMER CAN MAKE WITH (2) FREEDOM2 ROOFS)</p>	<p>18</p>  <p>(FRONT VIEW)</p> <p>TAURUS ROOF 1996 TO PRESENT #18765 DRAWING</p>	<p>19</p>  <p>(FRONT VIEW)</p> <p>HIGH TECH 1 ROOF 1992 TO PRESENT #18662 DRAWING</p>	<p>20</p>  <p>(FRONT VIEW)</p> <p>HIGH RISE ROOF 2010 TO PRESENT #20819 DRAWING</p>
<p>21</p>  <p>WORLD CARE I ROOF 1996 TO PRESENT #18892 DRAWING</p>	<p>22</p>  <p>WORLD CARE II ROOF 1996 TO PRESENT #18684 DRAWING</p>	<p>23</p>  <p>(FRONT VIEW)</p> <p>COUNTRY CLASSIC ROOF 2000 TO 2009 NO DRAWING</p>	<p>24</p>  <p>(FRONT VIEW)</p> <p>GLOBAL ROOF 2000 TO 2016 #40016 DRAWING</p>	<p>25</p>  <p>(FRONT VIEW)</p> <p>GLOBAL II ROOF 2016 TO PRESENT #40223 DRAWING</p>
<p>26</p>  <p>(FRONT VIEW)</p> <p>MAXIM 3000 ROOF 2001 TO 2005 #17618 DRAWING (OBLONG VP HOLE)</p>	<p>27</p>  <p>(FRONT VIEW)</p> <p>MAXIM 3000 ROOF 2005 TO 2016 #19049 DRAWING (ROUND VP HOLE)</p>	<p>28</p>  <p>(FRONT VIEW)</p> <p>MAXIM 3000 II ROOF 2016 TO PRESENT #22191 DRAWING</p>	<p>29</p>  <p>(FRONT VIEW)</p> <p>GLOBAL 1.5 ROOF 2005 TO PRESENT #40075 DRAWING</p>	

HARDWARE CHART (INCLUDES DISCONTINUED MODELS - SEE PREVIOUS CATALOGS)



PN 10047
PUSH CAP, 3/16" ID



PN 10801
RIVET, SOLID LONG
(DOME)



PN 10629
RIVET, SOLID SHORT
(FLAT)



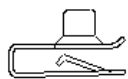
PN 18721
RIVET, SOLID SHORT
FLAT WITH WASHER



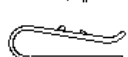
PN 18722
RIVET, SOLID LONG
DOME WITH WASHER



PN 14880
U-NUT, 5/16-18



PN 13481
U-NUT, #10-24 PLTD



PN 10131
U-NUT, NO THREADS



PN 10068
WASHER, RUBBER
3/32 THICK



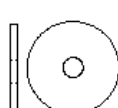
PN 18845
WASHER, RUBBER
3/16 THICK



PN 11368
WASHER, 5/16 FLAT
STNLS



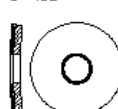
PN 11315
WASHER, 3/16 RIVET
STNLS



PN 11361
WASHER, 3/16 ID
FENDER



PN 12382
WASHER, 1/4 FLAT
STNLS



PN 17826
WASHER, 5/16
RUBBER CLAD



PN 16809
SCREW, 5/16-18 X 1-1/2" TORX



PN 16808
SCREW, 5/16-18 X 3/4" TORX



PN 13173
BOLT, 5/16 X 3in HWHD



PN 13860
SCREW, #14 X 1-1/2"
WITH WASHER GOLD



PN 14768
BOLT, 1/4" X 1-1/2"
PINCH GOLD



PN 13770
SCREW, #8-32 X 1-3/4"
ROUND STNLS



PN 10122
SCREW, #10 X 3/4" PN PH TAP



PN 13280
SCREW, #10-24 X 1/2" PN PH



PN 10804
SCREW, #8 X 3/4" TAP GOLD



PN 12007
SCREW, #10 X 1-1/4"
PNPH TAP



PN 10105
BOLT, 1/4-20 X 1 PPHN PLTD



PN 18705
SCREW, 1/4-20 X 3/4
TRUSS STNLS



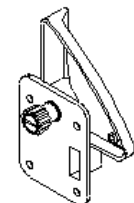
PN 18718
SCREW, 1/4-20 X 1 TRUSS HEAD



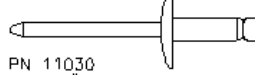
PN 14985
SCREW, #10-24 X 5/8
STNLS PPHN



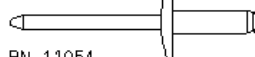
PN 18813
SCREW, #10-24 X 3/4
TRUSS STNLS



PN 14767
LATCH, RESTROOM PLASTIC



PN 11030
RIVET, #66 AAL POP



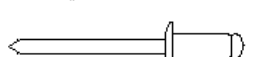
PN 11054
RIVET, #68 AAL POP



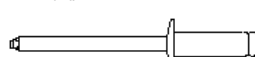
PN 22543
RIVET, #610 AAL POP



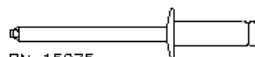
PN 18798
RIVET, #616 AAL POP



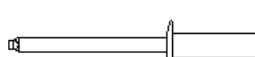
PN 12393
RIVET, #64 AAP POP



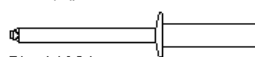
PN 11027
RIVET, #66 ALUM



PN 15975
RIVET, #66 STNLS



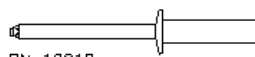
PN 11270
RIVET, #68 STNLS



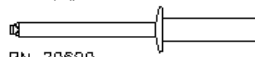
PN 11024
RIVET, #610 AAP



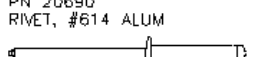
PN 14351
RIVET, #610 CCP



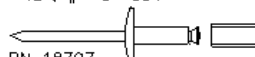
PN 10812
RIVET, #612 ALUM



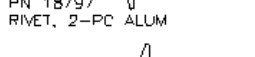
PN 20690
RIVET, #614 ALUM



PN 15144
RIVET, #410 ALUM



PN 18797
RIVET, 2-PC ALUM



PN 22604
RIVET, TRI-LOBE X 5/8 LF



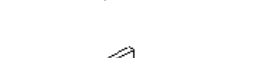
PN 22199
RIVET, 3/16 TRIFIX ALUM LF



PN 14311
SCREEN, 3" X 13" PLSTC VENT

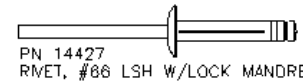


PN 10891
HOOK, FLAT COAT STNLS

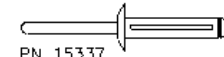


PN 16833
SCREEN, MAX3000 VENT

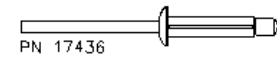
EXPANDING/PEEL RIVETS



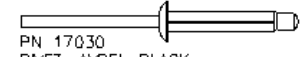
PN 14427
RIVET, #66 LSH W/LOCK MANDREL



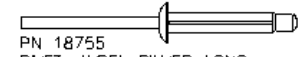
PN 15337
RIVET, .195in PLASTIC EXPANDNG



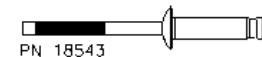
PN 17436
RIVET, AVDEL SILVER



PN 17030
RIVET, AVDEL BLACK



PN 18755
RIVET, AVDEL SILVER LONG



PN 18543
RIVET, 3/16 T PEEL



PN 10769
NUT, 5/16" NC



PN 10773
NUT, 1/4" NC STNLS



PN 10775
NUT, #10-24 STNLS



PN 13128
NUT, 1/4-20 NYLOC



PN 14777
NUT, #10-24 NYLOC



PN 13131
NUT, 5/16 NYLOC



PN 19307
RIVET, PINE TREE 1/4 MTAN



PN 17440
RIVET, PINE TREE 5/16"



PN 16804
RIVET, PINE TREE 1/4" X 9/16"



PN 13795
NUT, #10-24 ACORN
HIGH LOCK SS



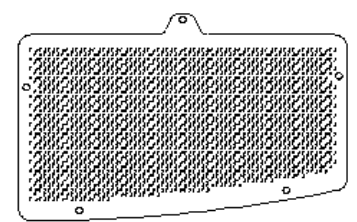
PN 15501
RIVET, 1/4 X 7/16 RATCHETING



14762
RIVET, 3/16 RATCHETING



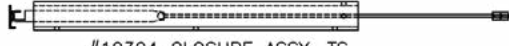
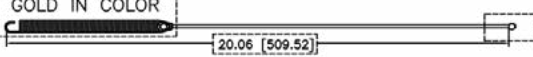
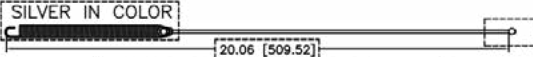
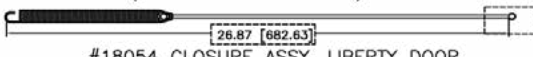
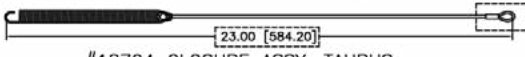
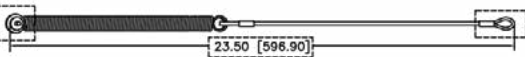
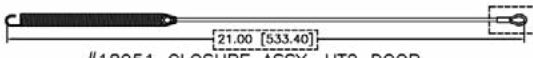
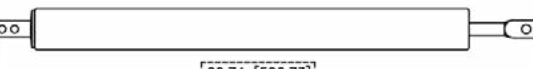
PN 14112
SCREEN 3.8 X 15.25 PLSTC VENT

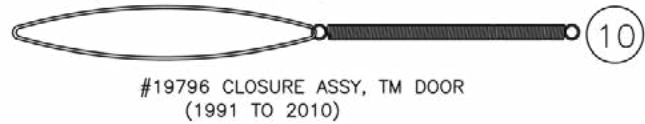
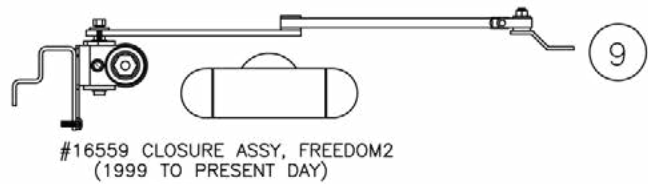


PN 16833
SCREEN, MAX3000 VENT

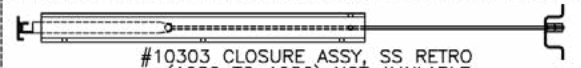


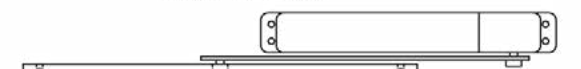
ITEMS NOT TO SCALE

DOOR CLOSURE CHART (INCLUDES DISCONTINUED MODELS - SEE PREVIOUS CATALOGS)

- 1  #10304 CLOSURE ASSY, TS (1982 TO 1986)
- 2  #10888 CLOSURE ASSY, TUFWAY DOOR (1986 TO PRESENT DAY)
[20.06 [509.52]]
- 3  #14649 CLOSURE ASSY, DOOR MX2/TM II (1994 TO PRESENT DAY)
[20.06 [509.52]]
- 4  #18054 CLOSURE ASSY, LIBERTY DOOR (2002 TO PRESENT DAY)
[26.87 [682.63]]
- 5  #18704 CLOSURE ASSY, TAURUS (2005 TO PRESENT DAY)
[23.00 [584.20]]
- 6  #18850 CLOSURE ASSY, HIGH TECH (1992 TO PRESENT DAY)
USED ON TAURUS FRONTS FROM (1996 TO 2005)
[23.50 [596.90]]
- 7  #18951 CLOSURE ASSY, HT2 DOOR (2006 TO PRESENT DAY)
[21.00 [533.40]]
- 8  #18802 CLOSURE, WORLD CARE DOOR (1996 TO PRESENT DAY)
[20.74 [526.73]]



THESE CLOSURE ARE NO LONGER IN PRODUCTION, BUT SOME PARTS ARE STILL AVAILABLE.

- 11  #10303 CLOSURE ASSY, SS RETRO (1982 TO 1986) NOT AVAILABLE
- 12  #11124 SPRING CABLE ASSY, TS (1982 TO 1986) AVAILABLE
- 13  #10305 CLOSURE/LATCH ASSY, WCA (1988 TO 1995)
- 14  #14576 CLOSURE, AUTOMATIC DOOR (USED ON FREEDOM 1994 TO 2001)

VINTAGE PHOTO FROM SATELLITE

URINAL CHART (INCLUDES DISCONTINUED MODELS - SEE PREVIOUS CATALOGS)

THE ACTIVE URINAL IS THE REPLACEMENT URINAL FOR OLDER VERSION URINAL
TUFWAY/MAXIM 2000/GLOBAL II RESTROOM

①



10693 URINAL,
1975 TO 1982

②



1409B URINAL, TRIAD
MOUNT
1991 TO 1993

③



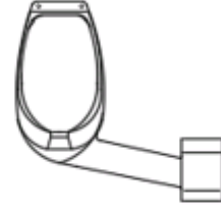
16155 URINAL, VERTICAL
DRAIN WHT
1998 TO 2004

④



11999 URINAL, SPLASHGUARD
DGRY
1987 TO PRESENT

⑤



14119 URINAL, STANDOVER DGRY
1992 TO PRESENT
15131 URINAL, STANDOVER GRANITE
PART NOT AVAILABLE
1995 TO 2010

**GLOBAL
RESTROOM**

⑥



40162 URINAL, GLOBAL
2006 TO 2016
(NOT AVAILABLE AS A REPLACEMENT PART)
(USE #21636 KIT, GB URINAL SPLSHGUARD DGRY)

**MAXIM 3000
RESTROOM**

⑦



16794 URINAL, MX3 DGRY
2000 TO 2016

**MAXIM 3000 II
RESTROOM**

⑧



22193 URINAL, MAXIM 3000 II DGRY
2016 TO PRESENT

**QV2
RESTROOM**

⑨



13958 URINAL, QV2
1991 TO 2001

HI-RISE URINAL TAURUS/HIGH TECH 1 RESTROOM

⑩



11337 URINAL, HI-RISE
1980 TO 1998

⑪



18701 URINAL, TROUGH
2002 TO 2012

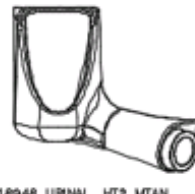
⑫



18700 URINAL, TRS/HT
W/TUBE DGRY
2002 TO PRESENT

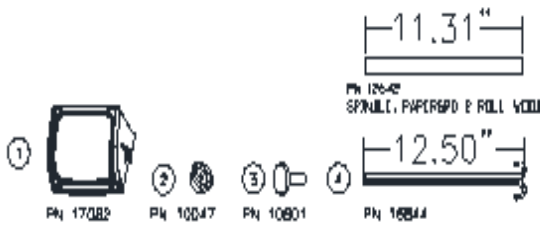
**HIGH TECH 2
RESTROOM**

⑬

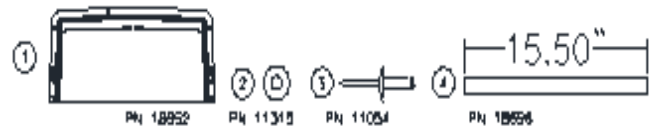


18948 URINAL, HT2 MTAN
2006 TO PRESENT
(USED ONLY WITH NO HANDWASH OR WASTEBASKET)

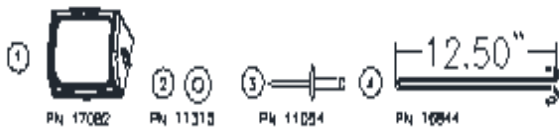
PAPERGUARD CHART (INCLUDES DISCONTINUED MODELS - SEE PREVIOUS CATALOGS)



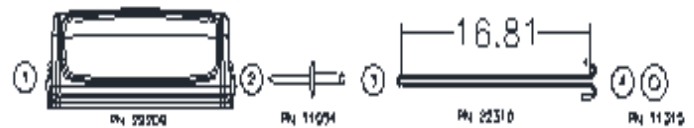
REV E ITEM#	PART#	QTY	DESCRIPTION
	16928	1	KIT, PAPERGRD 2 ROLL PUSH CAP
1	17082	1	HOOD, PAPERGUARD 2 ROLL DGRY
2	10047	4	PUSH CAP, 3/16 ID
3	10801	4	RIVET, SOLID LONG (DOME)
4	16844	1	SPINDLE, PAPERGRD 2 ROLL METAL



REV A ITEM#	PART#	QTY	DESCRIPTION
	21344	1	KIT, PAPERGRD 3 ROLL W/SP P/RV1
1	18652	1	HOOD, PAPERGUARD 3 ROLL DGRY
	18142	1	INSTRUCTION, PAPERGUARD 3 ROLL (NOT SHOWN)
2	11315	4	WASHER, 3/16 RIVET STNLS
3	11054	4	RIVET, #68 AAL POP
4	18696	1	SPINDLE, PAPERGRD 3 ROLL VOOD



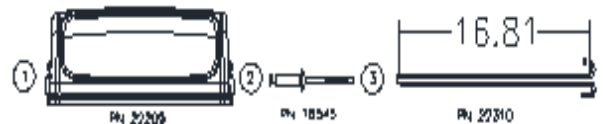
REV E ITEM#	PART#	QTY	DESCRIPTION
	16845	1	KIT, PAPERGRD 2 ROLL POP RIVET
1	17082	1	HOOD, PAPERGUARD 2 ROLL DGRY
2	11315	4	WASHER, 3/16 RIVET STNLS
3	11054	4	RIVET, #68 AAL POP
4	16844	1	SPINDLE, PAPERGRD 2 ROLL METAL



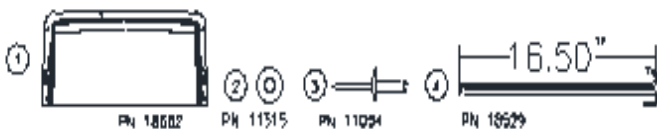
REV A ITEM#	PART#	QTY	DESCRIPTION
	22335	1	KIT- PAPERGRD 11 3ROLL POP RVT
1	22209	1	HOOD- PAPERGRD 3 ROLL DGRY
	22338	1	INSTR- PAPERGUARD 3 ROLL (NOT SHOWN)
2	11054	4	RIVET- #68 AAL POP
3	22310	1	SPINDLE- PRGRD 11 3 ROLL METAL
4	11315	4	WASHER- 3/16 RIVET STNLS



REV C ITEM#	PART#	QTY	DESCRIPTION
	19136	1	KIT, PAPERGRD 3 ROLL PUSH CAP
1	18652	1	HOOD, PAPERGUARD 3 ROLL DGRY
	18142	1	INSTRUCTION, PAPERGUARD 3 ROLL (NOT SHOWN)
2	10047	4	PUSH CAP, 3/16 ID
3	10801	4	RIVET, SOLID LONG (DOME)
4	18529	1	SPINDLE, PAPERGRD 3 ROLL METAL



REV A ITEM#	PART#	QTY	DESCRIPTION
	22336	1	KIT- PAPERGRD 11 3ROLL EXP RVT
1	22209	1	HOOD- PAPERGRD 3 ROLL DGRY
	22338	1	INSTR- PAPERGUARD 3 ROLL (NOT SHOWN)
2	18543	4	RIVET- 3/16 T PEEL
3	22310	1	SPINDLE- PRGRD 11 3 ROLL METAL



REV B ITEM#	PART#	QTY	DESCRIPTION
	19014	1	KIT, PAPERGRD 3 ROLL POP RVT
1	18652	1	HOOD, PAPERGUARD 3 ROLL DGRY
	18142	1	INSTRUCTION, PAPERGUARD 3 ROLL (NOT SHOWN)
2	11315	4	WASHER, 3/16 RIVET STNLS
3	11054	4	RIVET, #68 AAL POP
4	18529	1	SPINDLE, PAPERGRD 3 ROLL METAL



REV A ITEM#	PART#	QTY	DESCRIPTION
	22337	1	KIT- PAPERGRD 11 3ROLL PUSHCAP
1	22209	1	HOOD, PAPERGUARD 3 ROLL DGRY
	22338	1	INSTR- PAPERGUARD 3 ROLL (NOT SHOWN)
2	10047	4	PUSH CAP, 3/16 ID
3	10829	4	RIVET- SOLID SHORT (FLAT)
4	22310	1	SPINDLE- PRGRD 11 3 ROLL METAL

FOOT PUMP CHART

REVISIONS			
REV	DESCRIPTION	DATE	DR
A	ECO# 2970	6-1-11	BCF

FOR FOOT PUMP #17504 & 21013

3. ABBREVIATION: (FT)= FOOT
NOTES:

ITEM #	PART #	QTY	DESCRIPTION
SIGNATURES DATE DRAWN BCF 6-1-11 CHECKED ENGR. MFC. ENL. SA. ENL. THIRD ANGLE PROJECTION			
Satellite Industries, Inc. Minneapolis, MN 55441 U.S.A. TITLE: KIT, STRAIGHT GUZZLER FT VALVE DWG NO: 21168 REV: A SCALE NTS SUPERSEDES: SHEET 1 OF 1			

REVISIONS			
REV	DESCRIPTION	DATE	DR
A	ECO# 2516	1-1-05	CEK

5. ABBREVIATION: (CLAM)= CLAMP
4. KIT CONTAINS: A. SPRING
B. SPRING CAP
C. CLAMP.
3. USED IN PUMPS: #14484 AND 16305.
NOTE:

ITEM #	PART #	QTY	DESCRIPTION
SIGNATURES DATE DRAWN CEK 1-7-05 CHECKED ENGR. MFC. ENL. SA. ENL. THIRD ANGLE PROJECTION			
Satellite Industries, Inc. Minneapolis, MN 55441 U.S.A. TITLE: KIT, BABY FOOT SPRING/CAP/CLAM DWG NO: 18878 REV: A SCALE NTS SUPERSEDES: SHEET 1 OF 1			

REVISIONS			
REV	DESCRIPTION	DATE	DR
A	ECO# 2630	7-8-08	CEK

FOR FOOT PUMP #16305 & #14484

3. BOOT (DIAPHRAGM): NEOPRENE.
NOTES:

ITEM #	PART #	QTY	DESCRIPTION
SIGNATURES DATE DRAWN CEK 7-10-08 CHECKED ENGR. MFC. ENL. SA. ENL. THIRD ANGLE PROJECTION			
Satellite Industries, Inc. Minneapolis, MN 55441 U.S.A. TITLE: BOOT, BABY FOOT PUMP DWG NO: 20508 REV: A SCALE NTS SUPERSEDES: SHEET 1 OF 1			

REVISIONS			
REV	DESCRIPTION	DATE	DR
A	ECO# 2516	1-1-05	CEK

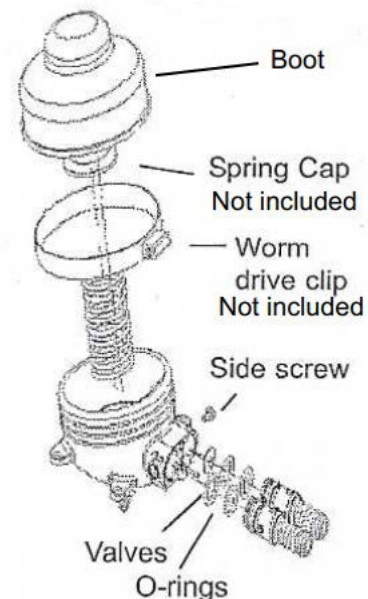
4. KIT CONTAINS: A. SPRING (USED IN PUMPS WITH A WHITE BOTTOM AND THREADS ON THE INLET AND OUTLET NIPPLES)
B. SMALL GASKET
C. SMALL O-RING
D. PLUNGER COVER
E. LARGE O-RING
F. LARGE GASKET
G. LOCK PIN
3. USED IN PUMPS: #14484 AND 16305.
NOTE:

ITEM #	PART #	QTY	DESCRIPTION
SIGNATURES DATE DRAWN CEK 1-7-05 CHECKED ENGR. MFC. ENL. SA. ENL. THIRD ANGLE PROJECTION			
Satellite Industries, Inc. Minneapolis, MN 55441 U.S.A. TITLE: KIT, BABY FOOT IN/OUTLET PARTS DWG NO: 18879 REV: A SCALE NTS SUPERSEDES: SHEET 1 OF 1			

FOR FOOT PUMP 16445 AND 16968
FOR FOOT PUMP 17504 AND 21013

4. COLOR: BLUE
3. THICKNESS: 0.060 [1.52]±0.005[0.13].
2. MATERIAL: POLYBLENK.
NOTES:

ITEM #	PART #	QTY	DESCRIPTION
SIGNATURES DATE DRAWN BCF 3/28/08 CHECKED ENGR. MFC. ENL. SA. ENL. THIRD ANGLE PROJECTION			
Satellite Industries, Inc. Minneapolis, MN 55441 U.S.A. TITLE: BOOT, BUTTON PUMP DWG NO: 15801 REV: B SCALE 1X SUPERSEDES: SHEET 1 OF 1			



MAKING A DIFFERENCE

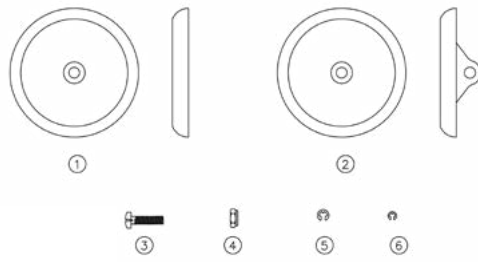
one jobsite & event at a time



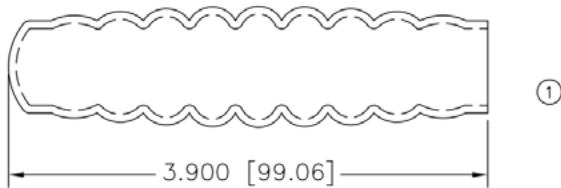
SINK | SUITE

Looking for an innovative solution to the growing demand for handwash units? Look no further! The Satellite Sink Suite will fill that demand. The Sink Suite will meet your customers needs without infringing on your drivers daily routine. The 16' reinforced chassis allows it to be trailered with a full fresh OR graywater tank, making it easy to set-up and take-down. Bulk soap and paper towel dispensers along with push button metered faucets assure a full day of service.

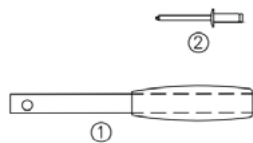
HAND PUMP CHART



ITEM #	PART #	QPU	DESCRIPTION
	18873		KIT- BILGE INNER/OUTER PLATES, CONTAINS:
1		1	INNER PLATE
2		1	OUTER PLATE
3		1	SCREW
4		1	NUT
5		2	LARGE CIRCLIP
6		2	SMALL CIRCLIP
FOR BILGE 14877 PUMP, 15512 PUMP, AND 19173 PUMP.			

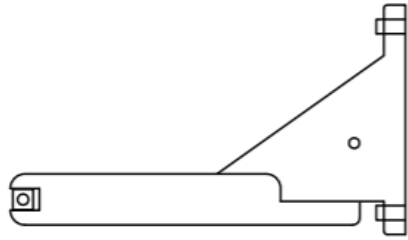


ITEM #	PART #	QPU	DESCRIPTION
	15939	1	SLEEVE- BILGE HANDLE REPLACMNT FOR BILGE 14877 PUMP, 15512 PUMP, AND 19173 PUMP



ITEM #	PART #	QPU	DESCRIPTION
	19010		KIT- BILGE HANDLE ASSY, CONTAINS:
		1	HANDLE
		1	RIVET
FOR BILGE PUMP #14877, 15512 & 19173			

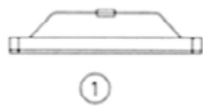
HAND PUMP CHART



①



ITEM #	PART #	QPU	DESCRIPTION
	18875		KIT- BILGE UNDERDECK RING FOR BILGE 14877 PUMP, 15512 PUMP, AND 19173 P.



①



②



③



④



⑤



ITEM #	PART #	QPU	DESCRIPTION
	16713		KIT- BILGE VALVE REPLACMNT, CONTAINS:
	19821	1	DIAPHRAGM
	20047	1	INLET VALVE
	20048	1	OUTLET VALVE
		2	SMALL CIRCLIPS
		2	LARGE CIRCLIPS
			FOR BILGE 14877 PUMP, 15512 PUMP, AND 19173 P.

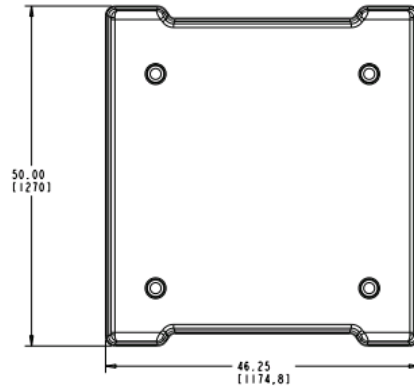


①



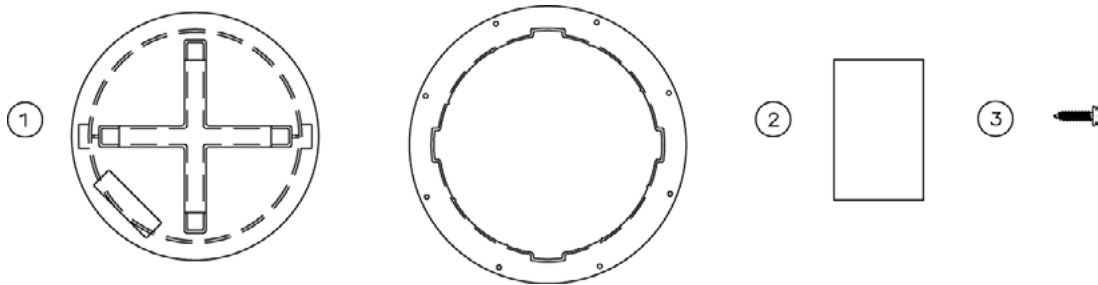
ITEM #	PART #	QPU	DESCRIPTION
	18877		KIT- BILGE GAITER FOR DECKPLAT, CONTAINS:
	19821	1	DIAPHGAGM, BILGE FOR BILGE 14877 PUMP, 15512 PUMP, AND 19173 PUMP.

CONTAINMENT TRAY

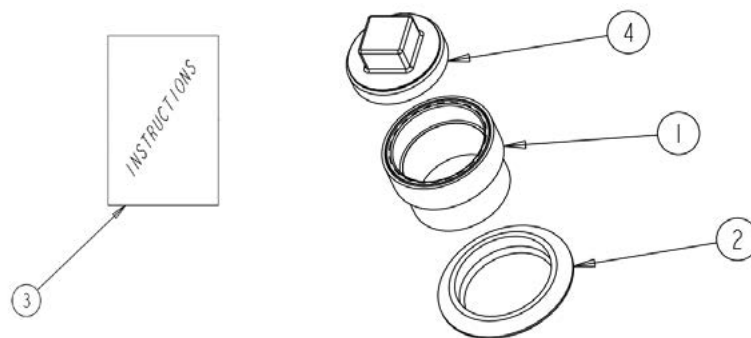


ITEM #	PART #	QPU	DESCRIPTION
	22410	1	TRAY- CONTAINMENT II

10" MANWAY KIT PRE-FALL 2016

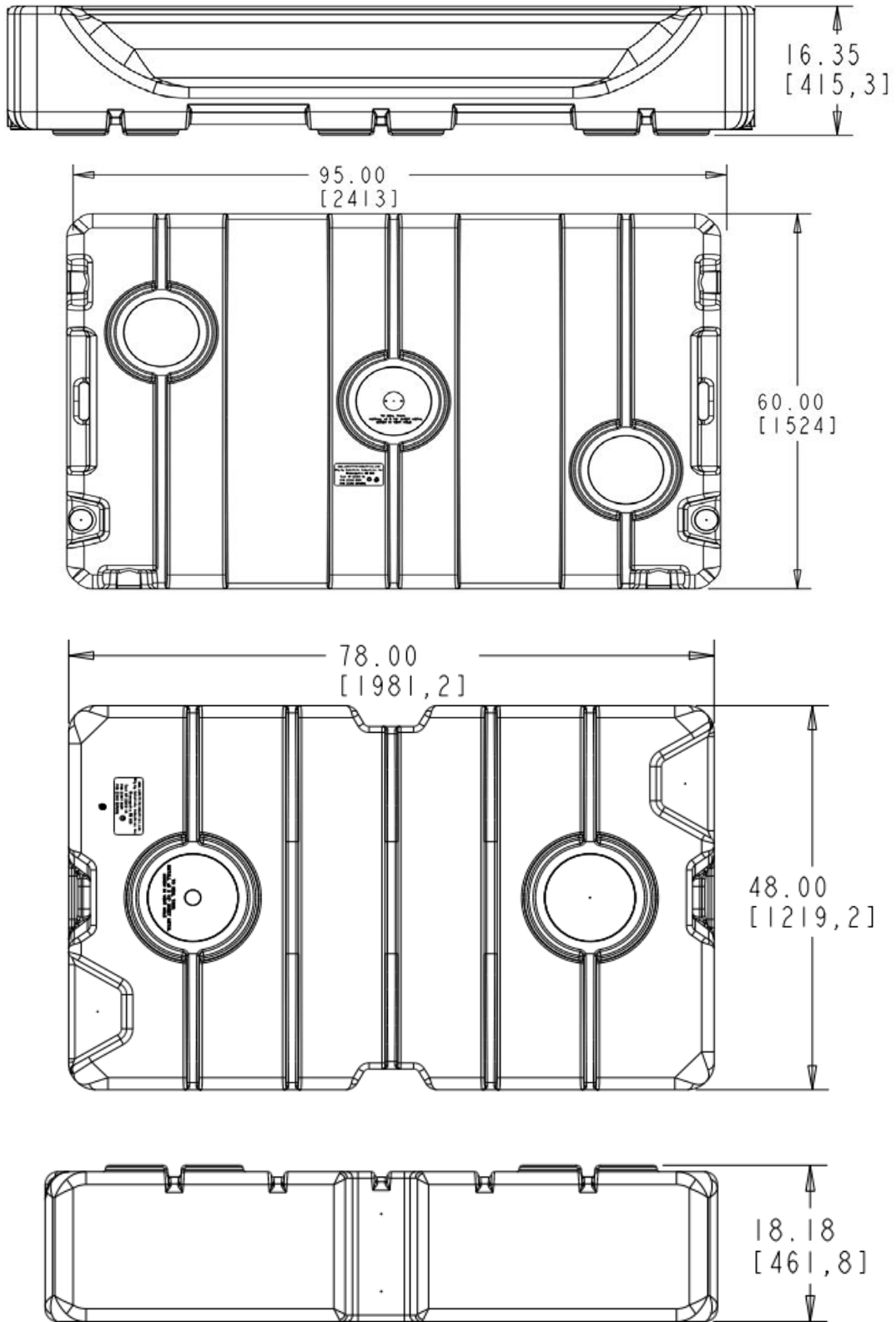


ITEM #	PART #	QPU	DESCRIPTION
	18120		KIT- 10in PLASTIC MANWAY (For holding tanks PART #18056 & 18055)
1	18118	1	CAP/RING ASSY- 10in PLS MANWAY
2	18119	1	INSTRUCTIONS- 10" PLSTC MANWAY (SEE WEBSITE)
3*	10122	8	SCREW- #10 X 3/4 PHPN TAP PLTD



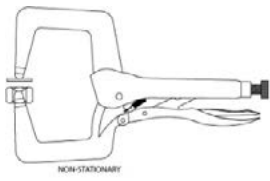
ITEM #	PART #	QPU	DESCRIPTION
	22477	2 Per Tank	KIT- 3" SPIGOT 250 GALLON TANK (For holding tanks fall 2016 to present)
1	22448	1	ADAPTER- 3" FPT X3" SPIGOT PVC
2	22447	1	GASKET- 3" UNISEAL ADAPTER
3	22468	1	INSTRUCTIONS - 250G TNK 3" SPIGOT ASSY (SEE WEBSITE)
4	22449	1	PLUG- 3" MIPT PVC

HOLDING TANK MAJOR ASSEMBLY

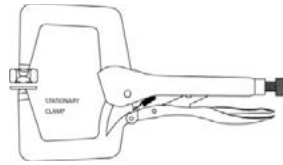


ITEM #	PART #	QPU	DESCRIPTION
B	22394	1	HOLDING TANK - 300GAL DGRY II
B	22395	1	HOLDING TANK - 300GAL NAT II
A	22417	1	HOLDING TANK- 250 GAL DGRY (May need Kit Part #22477)
A	22418	1	HOLDING TANK - 250 GAL NAT (MAY NEED KIT PART 22477)

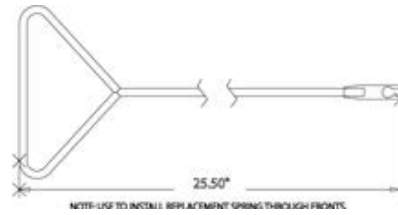
TOOLS



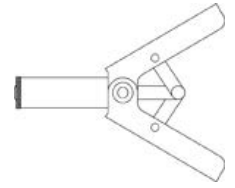
11593



14402



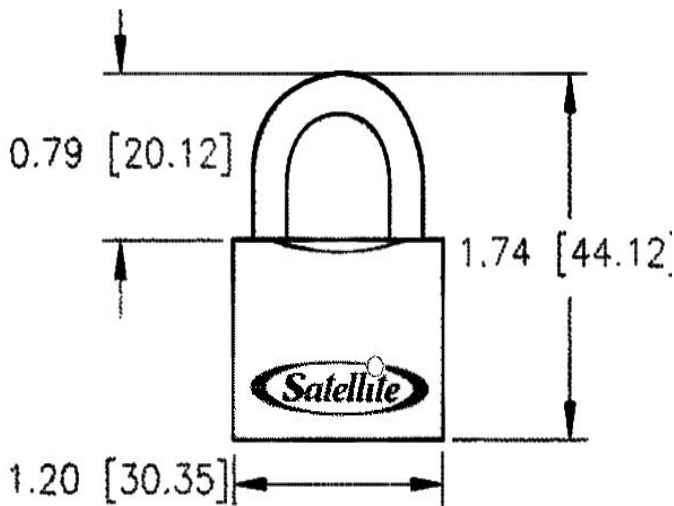
19008



15814

ITEM #	PART #	DESCRIPTION
D	11593	CLAMP- NON-STATIONARY PUSH CAP
B	14402	CLAMP- STATIONARY PUSH CAP
A	15814	TOOL- PLSTC EXPND RIVET INSALL
A	19008	TOOL- CLOSURE SPRING INSTALL

PADLOCKS



ITEM #	PART #	DESCRIPTION
	4675	PADLOCK- 30MM SATELLITE (12 PER BOX)
	21764	KEY- PADLOCK 30MM SATELLITE
	1038-699	PADLOCK (55/25) WITH KEY (5253) (Key- 1050-699)
	1050-699	KEY FOR POLY LOCK

SOLAR LIGHT & FAN

1



2



ITEM #	PART #	QPU	DESCRIPTION
1	10019	1	SOLAR LIGHT- 5 LED
2	10018	1	SOLAR FAN- PORTABLE TOILET

INSTA PATCH & UV FLASHLIGHT



1

**INSTA PATCH
REPAIR KIT
PN 24081**

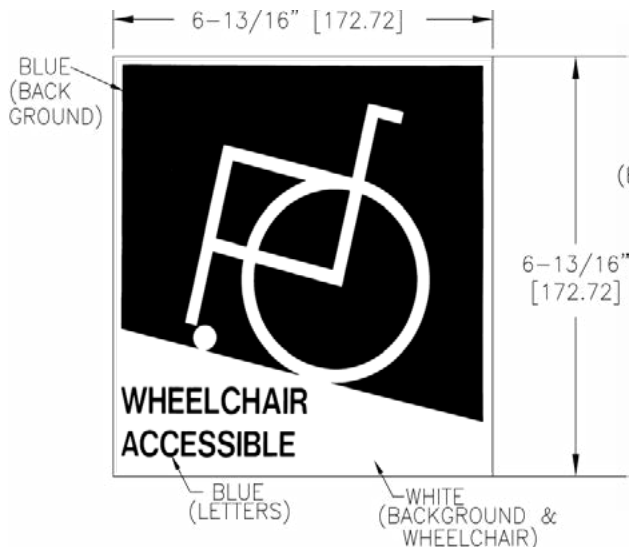


2

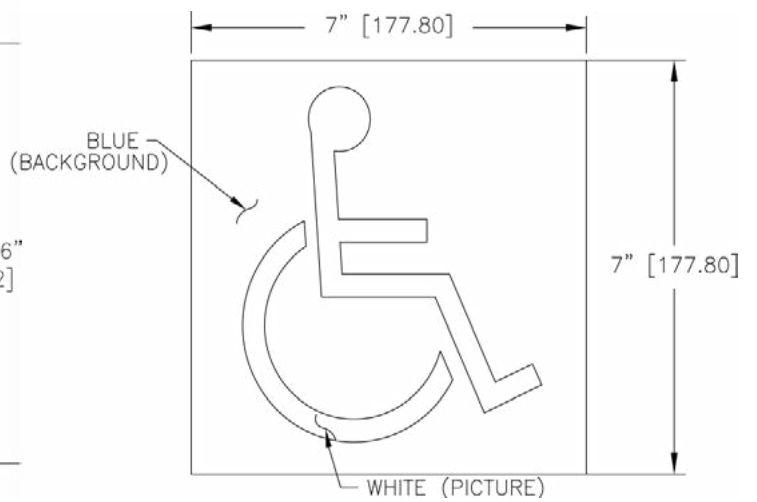
**UV Flashlight
PN 24082
(sold separately)**

ITEM #	PART #	QPU	DESCRIPTION
1	24081	1	INSTA PATCH REPAIR KITS
2	24082	1	UV FLASHLIGHTS

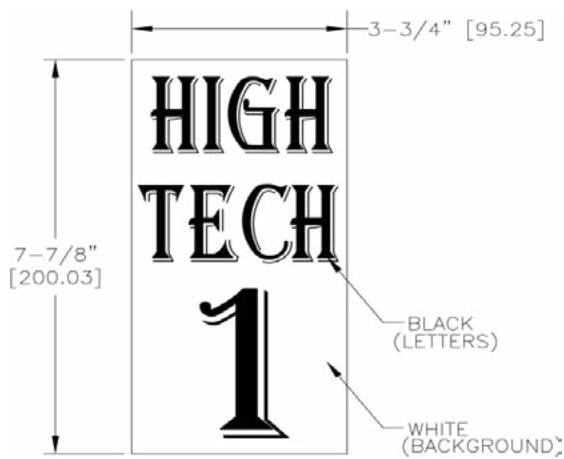
DECAL REFERENCE CHART



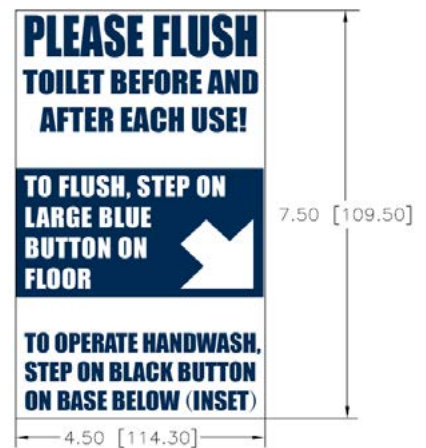
**14401 DECAL
LIBERTY**



**10394 DECAL
ISA FREEDOM2**



**18720 DECAL HIGH TECH 1
\$1.12**



**21150 DECAL
FOOT FLUSH
\$4.43**

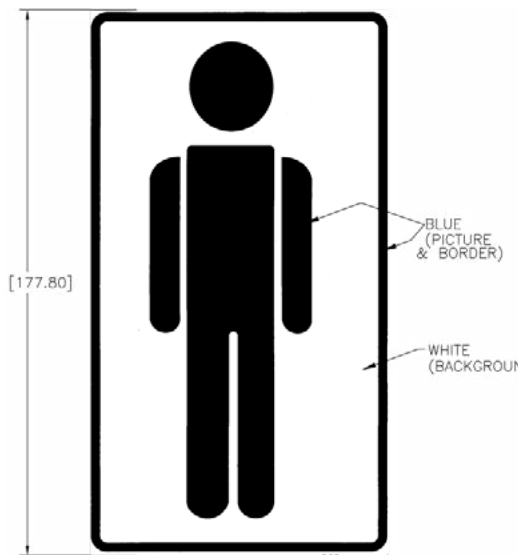


**1135-699 DECAL
CHANGING TABLE**

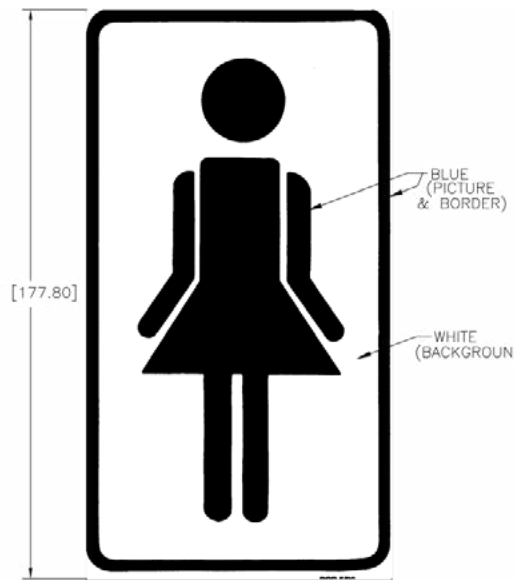


**1131-699 DECAL
ADA RESTROOM**

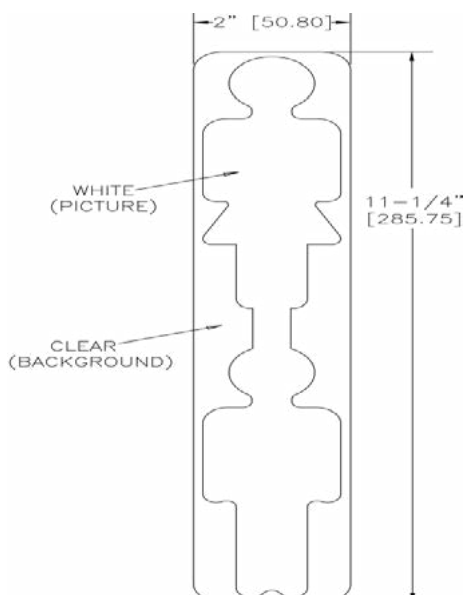
DECAL REFERENCE CHART



**10690
DECAL MEN**



10693 DECAL WOMAN



**18808 DECAL
MX3
TRS-HT GENDER**

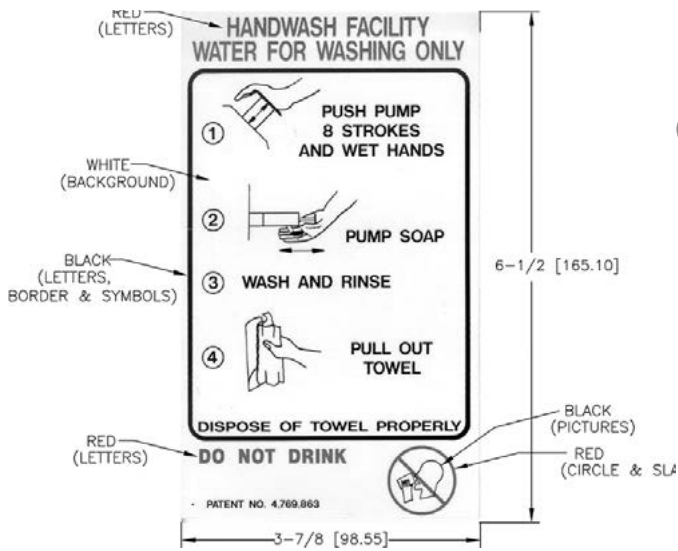
Maxim 3000® Wet Lift

- * Lift kit must contain the following parts:
 (2) Turn Buckles (1) Spreader Bar
 (4) 1/8" x 104.5" cables w/ threaded ends
 (1) Top Lift Cable Assembly (8) Inserts w/screws
 (4) 5/16" x 2.5" bolts w/washers (1) Wire Tie
- * Maximum allowable lifting weight; 1,072 lbs/487 kg
- * **WARNING;** Customer assumes all responsibility for damages if unit is lifted more than the maximum allowable weight
- * Customer assumes all responsibility if anything other than Satellite approved components are used for lifting
- * **DO NOT** lift unit with person inside
- * **DO NOT** lift unit over people
- * Cables should be checked for tightness before usage, if loose, tighten using turnbuckles at bottom of unit
- * Inspect for damage and wear before lifting and always use safe lifting practices
- * **DO NOT** leave unit hanging for more than two (2) hours

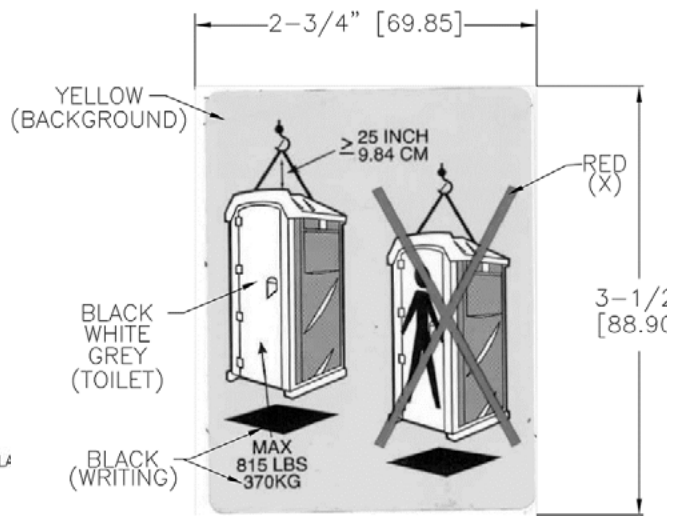
#17155 Rev. D

**17155 DECAL
MX3
WET LIFT WARNING**

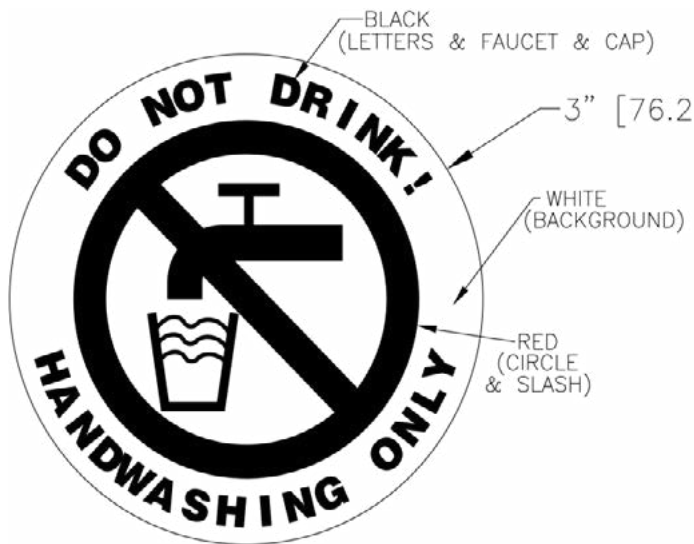
DECAL REFERENCE CHART



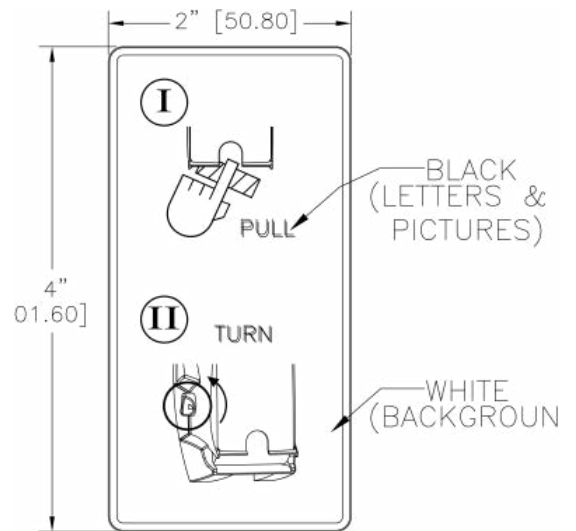
**13464 DECAL
 HANDWASH INSTRUCTIONS**



**15049 DECAL
 MX2 WET LIFT**



**13776 DECAL
 DO NOT DRINK**

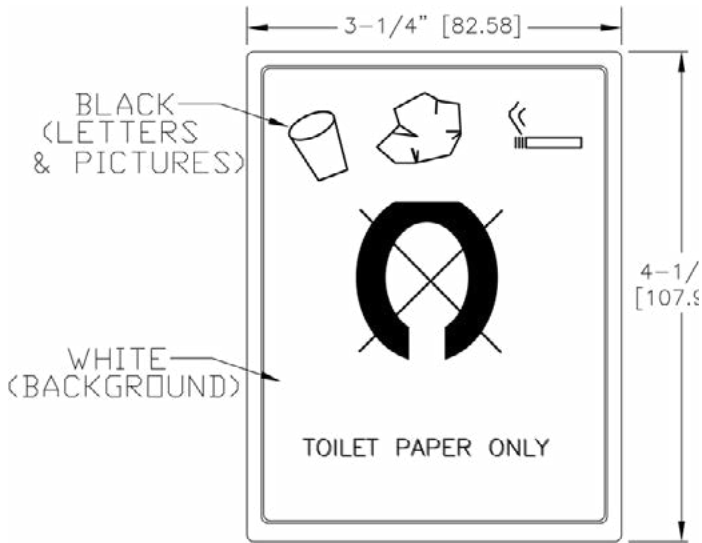


**19308 DECAL
 4 ROLL TP DISPENSER**

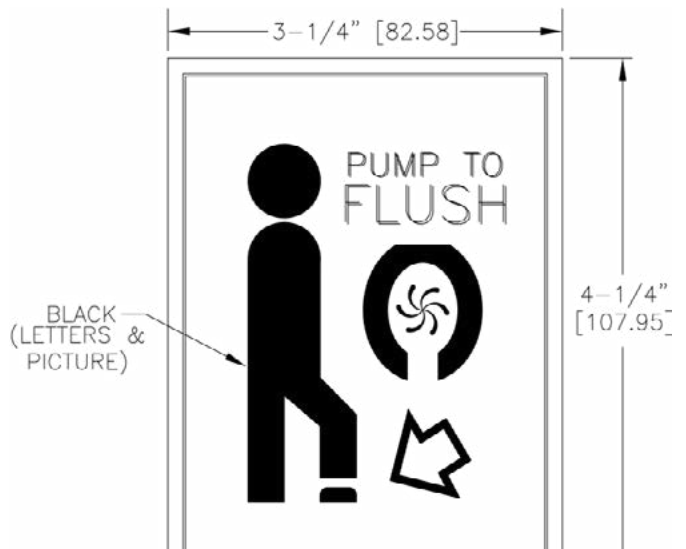


**1124-699 DECAL
 DO NOT DRINK**

DECAL REFERENCE CHART



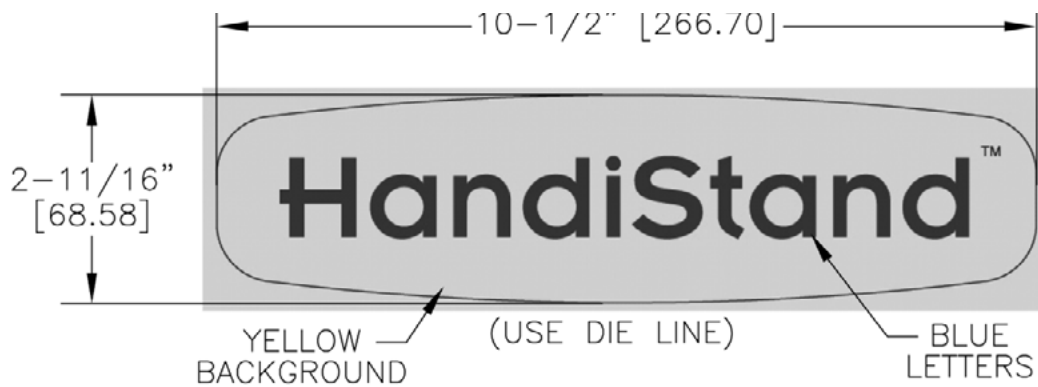
**19260 DECAL
TOILET PAPER ONLY**



**19259 DECAL
HT2 FLUSH INSTRUCTIONS**



**21151 DECAL
FLUSHING UNIT**

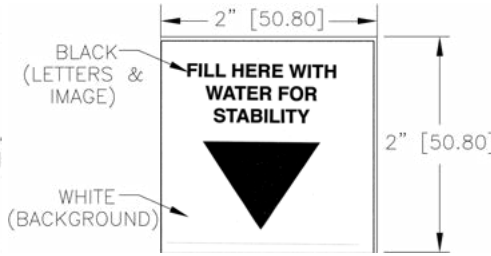


**21083 DECAL
HANDISTAND**

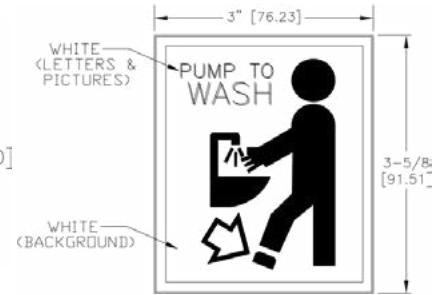
DECAL REFERENCE CHART



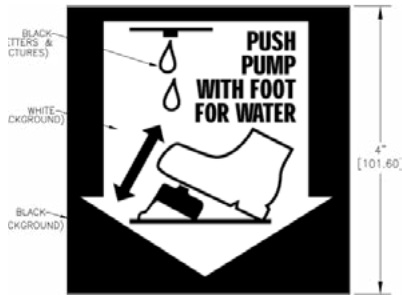
17318 DECAL
ICON LUXURY FLUSH & WASH



20889 DECAL
HANIDSTAND



1 DECAL
HT2 HAND WASH



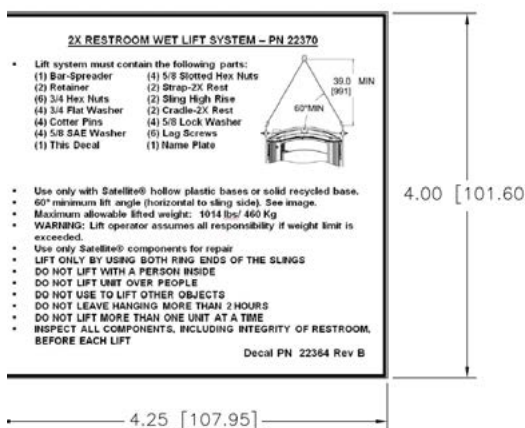
17463 DECAL
WAVE / BREEZE



1126-699 DECAL
DOOR CLOSER



1125-699 DECAL
FLUSH DECAL



22364 DECAL
2X WET LIFT



1130-699 DECAL
FRESH START SHAWER



1128-699 DECAL
AVAILABLE IN SPANISH

NEW **IMPACT** BASE

5x STRONGER



AVAILABLE
NOW



BUILT to LAST

Want a base that is more rigid, doesn't warp and withstands five times the impact of our Dirt Buster™ base? The wait is over! The new **Impact Base™** is here.

Designed to fit all Satellite Industries standard restrooms* and conveniently

interchange with all current standard bases, the new **Impact Base™** comes with a grated (Dirt Buster™ style) floor or solid floor option. Fasteners attach from the bottom to minimize dirt collection, making regular unit maintenance with the solid floor base quick and easy.

Replaceable runners, traditional stake down holes and compatibility with

Satellite Industries 2x wet lift increases base longevity and flexibility. Integrated foot pump mount and hose channels streamlines flushing installation and protects components from forklift damage.

Add strength and versatility to your fleet with the Satellite Industries **Impact Base™**. Contact your Regional Manager to order today!

satelliteindustries.co.uk | info@satelliteindustries.com



ADDITIONAL JOB SITE EQUIPMENT AND ACCESSORIES *ACCESSORIES FOR FORMER POLYPORTABLES UNITS

PART #	QPU	DESCRIPTION
HOLDING TANKS		
4004-500		TANK: 250-GAL WITH (4) UNISEALS NATURAL
4004-505		TANK: 250-GAL GRAY WITH (4) UNISEALS
4005-500		TANK: 250-GAL WITH (2) UNISEALS
4003-600		TANK: 250-GAL NATURAL (CALIFORNIA) WITH UNISEALS
4020-605		TANK: 30-GAL HOLDING TANK GRAY
4108-699		UNISEAL AND 3" PLUG FOR TANKS
4190-602		TANK: 300-GAL BLACK (CALIFORNIA) WITH 2 UNISEALS
4008-602		CONTAINMENT SYSTEM 250-GAL TANK BLACK
BASE OPTIONS & HARDWARE CONTINUED		
1713-699	2	WASHER: 1/4" STAINLESS FLAT
1759-699	2	NUT: LOCK 1/4-20 WITH EXT LOCKWASHER SS
1950-699	3	BOLT: 1/4-20 X 2.5 HEX HEAD SS FULL THREAD
1959-699	3	BOLT: HEX HEAD SS 1/4-20 X1.5 FULL THREAD
23045		BASE- ROTO GREY AXXIX/VANTAGE
1709-699	6	WASHER: WHITE PLASTIC 1/4 X 1.25
13860	4	SCREW- #14 X 1- 1/2 WITH WSH GOLD
1930-699	4	SCREW: 1/4-20 X 2-1/4 SS PHILLIPS FLAT
1754-699	4	NUT: 1/4-20
1713-699	4	WASHER: 1/4" STAINLESS FLAT
23045		BASE- ROTO GREY AXXIX/VANTAGE
1759-699	6	NUT: LOCK 1/4-20 WITH EXT LOCKWASHER SS
1712-699	6	WASHER: FENDER 1/4 X 1 SS
1713-699	6	WASHER: 1/4" STAINLESS FLAT
1959-699	6	BOLT: HEX HEAD SS 1/4-20 X1.5 FULL THREAD
6165-599-99		SKID: COMBO (WOOD WITH PL RUNNERS / SOLID PL FLOOR) - KIT / INTEGRA
1951-699	2	BOLT: 1/4-20 X 3.5 HEXHEAD FULL THREAD SS
1950-699	4	BOLT: 1/4-20 X 2.5 HEX HEAD SS FULL THREAD
1712-699	6	WASHER: FENDER 1/4 X 1 SS
1709-699	5	WASHER: WHITE PLASTIC 1/4 X 1.25
1713-699	6	WASHER: 1/4" STAINLESS FLAT
1759-699	6	NUT: LOCK 1/4-20 WITH EXT LOCKWASHER SS
6165-599-99S		SKID: COMBO (WOOD WITH PL RUNNERS / SOLID PL FLOOR) - KIT / STANDARD
1951-699	2	BOLT: 1/4-20 X 3.5 HEXHEAD FULL THREAD SS
1950-699	4	BOLT: 1/4-20 X 2.5 HEX HEAD SS FULL THREAD
1712-699	6	WASHER: FENDER 1/4 X 1 SS
1709-699	5	WASHER: WHITE PLASTIC 1/4 X 1.25
1713-699	6	WASHER: 1/4" STAINLESS FLAT
1759-699	6	NUT: LOCK 1/4-20 WITH EXT LOCKWASHER SS

ADDITIONAL JOB SITE EQUIPMENT AND ACCESSORIES *ACCESSORIES FOR FORMER POLYPORTABLES

PART #	QPU	DESCRIPTION
6165-599-99V		SKID: COMBO (WOOD WITH PL RUNNERS / SOLID PL FLOOR) - KIT / VANTAGE
1951-699	2	BOLT: 1/4-20 X 3.5 HEXHEAD FULL THREAD SS
1950-699	4	BOLT: 1/4-20 X 2.5 HEX HEAD SS FULL THREAD
1712-699	6	WASHER: FENDER 1/4 X 1 SS
1713-699	6	WASHER: 1/4" STAINLESS FLAT
1759-699	6	NUT: LOCK 1/4-20 WITH EXT LOCKWASHER SS
1951-699	2	BOLT: 1/4-20 X 3.5 HEXHEAD FULL THREAD SS
1950-699	4	BOLT: 1/4-20 X 2.5 HEX HEAD SS FULL THREAD
1712-699	6	WASHER: FENDER 1/4 X 1 SS
1709-699	5	WASHER: WHITE PLASTIC 1/4 X 1.25
1713-699	6	WASHER: 1/4" STAINLESS FLAT
1759-699	6	NUT: LOCK 1/4-20 WITH EXT LOCKWASHER SS

ADDITIONAL JOB SITE EQUIPMENT AND ACCESSORIES

PART #	QPU	DESCRIPTION
BASE OPTIONS & HARDWARE CONTINUED		
1709-699	6	WASHER: WHITE PLASTIC 1/4 X 1.25
13860	4	SCREW- #14 X 1- 1/2 WITH WSH GOLD
1930-699	4	SCREW: 1/4-20 X 2-1/4 SS PHILLIPS FLAT
1754-699	4	NUT: 1/4-20
1713-699	4	WASHER: 1/4" STAINLESS FLAT
1950-699	3	BOLT: 1/4-20 X 2.5 HEX HEAD SS FULL THREAD
1712-699	6	WASHER: FENDER 1/4 X 1 SS
1713-699	6	WASHER: 1/4" STAINLESS FLAT
1759-699	6	NUT: LOCK 1/4-20 WITH EXT LOCKWASHER SS
1950-699	3	BOLT: 1/4-20 X 2.5 HEX HEAD SS FULL THREAD
6314-602		PLASTIC SKID RUNNER 4 X 4 X 47"
6316-602		PLASTIC LUMBER RUNNER 4 X 4 X 54"
1047-699		ALUM THRESHOLD: PUNCHED / FINISHED / STANDARD UNIT
1048-599		KICK PLATE FINISHED - GALVANIZED METAL
1071-599		THRESHOLD: PUNCHED / FINISHED / INTEGRA UNIT
1944-699		SCREW: 18-8 SS FLAT HEAD PHILLIPS (WOOD SCREW # 14 X 1-1/2" LENGTH)
1981-699		NAIL: ROOFING 1.25" LONG GALVANIZED
5046-605		GRAY STD FLOOR COVER.130T X 20.5L X 41W LEVANT
5072-605		FLOOR GRAY PLASTIC-.500 GA 41 X 20 1/2"
OFFICE TRAILER SYSTEM		
4902-599		FRESH WATER DELIVERY TANK SYSTEM (60 GAL.)
4070-500	1	TANK: 60-GAL FRESH WATER TANK NATURAL WITH LID
4907-699	1	PUMP FLOJET 4300-0545A, 115 VOLT, 3.5 GPM 40 PSI (PSE C/W PRESSURE SWITCH)
1292-699	1	STRAINER: FLOJET QUAD PORT X 1/2" BARB, 40 MESH (INLET)
1331-699	4	BULK HEAD FITTING 1/2"
1668-699	2	ADAPTER 1/2 MP X 1/2 SLIP CPVC
1674-699	1	ADAPTER: 1/2" NYLON HEX NIPPLE
1261-699	1	CONDUIT BODY: 1/2" TYPE T THREADED WITH COVER AND GASKET
1262-699	2	CORD CONNECTOR: 1/2" NPT TYPE, NYLON, STRAIGHT BLACK (CORD DIA 0.17-0.45 IN)
1264-699	1	FLOAT SWITCH: CABLE FLOAT SWITCH 20 FT CORD
1265-699	1	POWER CORD: 10 FT IN-LINE GFCI CORD
1266-699	1	DECK PLATE: 4" SCREW DOWN, WHITE
1243-699	1	CLEAR PVC TUBING 1/2 ID X 3/4 OD REINFORCED
1224-699	2	HOSE CLAMP #6 5/16" TO 7/8"DIA 5/16"W S/S WORM DRIVE CLAMP WITH 300 S/S SCREW
1663-699	3	PIPE 1/2" X 120" LONG CPVC

ADDITIONAL JOB SITE EQUIPMENT AND ACCESSORIES

PART #	QPU	DESCRIPTION
1450-699	1	BARCODE LABEL
1806-699	2	RIVET: AB64AV
1705-699	2	WASHER: ALUMINUM 3/16
1937-699	6	SCREW: PHILLIPS PAN HD 6X1/2 SS
1665-699	1	ADAPTER: 1/2" NPT X 1/2" BARB ELBOW
1607-699	2	PLUG 1/2" THREADED
1969-699	1	STEEL U-BOLT: 5/16"-18 X 1" THREAD LENGTH, FOR 3" OD, ZINC-PLATED
1332-699	4	PUMP ISOLATOR MOUNT
1333-599	1	PUMP MOUNT BRACKET FOR 60 GALLON FRESH WATER DELIVERY SYSTEM
1765-699	8	NUT: NYLON INSERT LOCK NUT SS 1/4 X 20
1713-699	8	WASHER: 1/4" STAINLESS FLAT
1711-699	2	WASHER: 5/16 LOCK WASHER
1717-699	2	WASHER: 5/16 FLAT SS .625 OD X 21/64 ID X .07 THICK. 18-8 SS
4907-699		PUMP FLOJET 4300-0545A, 115 VOLT, 3.5 GPM 40 PSI PSE C/W PRESSURE SWITC
OTHER ACCESSORIES		
1118-699		DECAL: HEATER SINK
1119-699		DECAL: EMPLOYEES MUST WASH HANDS PRIOR TO RETURNING TO WORK
1122-699		DECAL: FOOT PUMP
1123-699-M		DECAL: MEN DESIGNATION
1123-699-W		DECAL: WOMEN DESIGNATION
1124-699		DECAL: NOT FOR DRINKING OR COOKING
1125-699		DECAL: AMBASS."FLUSH PLEASE"
1125-699-S		DECAL: AMBASS."FLUSH PLEASE" -- SPANISH
1126-699		DECAL: AUTOMATIC DOOR CLOSER
1127-699		DECAL: EMPLOYEES MUST USE HAND SANITIZER
1128-699		DECAL: FOOT FLUSH
1128-699-S		DECAL: FOOT FLUSH - SPANISH
1129-699		DECAL: SERVICE RECORD
1130-699		DECAL: SHOWER
1133-699		DECAL: ANSI STANDARD
1134-699		DECAL: EAU (WHEELCHAIR)
1135-699		DECAL: FAMILY ROOM
9031-699		DECAL: TOILET SEAT CLEANER
1122-302-40		KIT - POLY ROTOBASE 1-HOOK LIFT
1276-502	4	HIGH RISE LIFTBAR
1277-502	1	HIGH RISE TOP (SOLD AS PART OF KIT)
1989-999	1	HDWE FOR HIGH RISE KIT - MOLDED SKID
1276-502	4	HIGH RISE LIFTBAR
1989-999	1	HDWE FOR HIGH RISE KIT - MOLDED SKID

ADDITIONAL JOB SITE EQUIPMENT AND ACCESSORIES

PART #	QPU	DESCRIPTION
OTHER ACCESSORIES		
8030-502		HIGH RISE KIT - SUPER TWIN
1162-699	4	EAU DOOR ROD LONG 69-7/8 X 5/8 SQ. TUBE X 18 GA
1555-699	4	CASTER WHEEL WITH LOCK FOR POLY MINI
1977-699	8	BOLT: 3/8-16 X 1 FOR HIGH RISE LIFT BAR
1761-699	8	LOCK NUT NYLON 3/8-16
1409-699	0.22	STEEL ANGLE 3 X 3 X 1/4 - 20' PIECE (MNF PART ONLY)
1410-699	0.51	STEEL ANGLE 2 X 2 X 1/4 - 20' PIECE (MNF PART ONLY)
1411-699	0.05	STEEL FLAT 4 X 1/4THICK - 20' PIECE (MNF PART ONLY)
1970-699	16	BOLT: 5/16-18 X 1/2 L HEX HEAD
1013-699	0.05	1/4" X 1.5" X 20' FLAT BAR HOTROLL (MNF PART ONLY)
1015-699	0.15	1-1/4 X 20' SQ.TUBE-HIGHRISE 14 GA (MNF PART ONLY)
1016-699	0.06	3/8" X 20' ROD FOR HIGH RISE (MNF PART ONLY)
1162-699	1	EAU DOOR ROD LONG 69-7/8 X 5/8 SQ. TUBE X 18 GA
1412-699	0.17	STEEL FLAT 3 X 1/4THICK - 20' PIECE (MNF PART ONLY)
1704-699	16	WASHER: RIVET BURR 3/8 FOR SKID
9999-190	1	POWDER COAT / SHOT BLAST - SUPERTWIN HIGH RISE TOP - (GPC BLACK)
9999-191	1	POWDER COAT / SHOT BLAST - SUPERTWIN HIGH RISE BASE - (GPC BLACK)
9999-192	4	POWDER COAT / SHOT BLAST - SUPERTWIN HIGH RISE LIFT BAR - (GPC BLACK)
1147-699	1	HIGH RISE LIFT CERTIFICATION TAG - SUPERTWIN
1809-699	2	RIVET: AB66A-SHORT/SMALL HEAD
8031-502		HIGH RISE KIT - TAG ALONG
1162-699	4	EAU DOOR ROD LONG 69-7/8 X 5/8 SQ. TUBE X 18 GA
1977-699	8	BOLT: 3/8-16 X 1 FOR HIGH RISE LIFT BAR
1761-699	8	LOCK NUT NYLON 3/8-16
1704-699	16	WASHER: RIVET BURR 3/8 FOR SKID
1015-699	18.5	1-1/4 X 20' SQ.TUBE-HIGHRISE 14 GA (MNF PART ONLY)
1016-699	14.4	3/8" X 20' ROD FOR HIGH RISE (MNF PART ONLY)
1013-699	1	1/4" X 1.5" X 20' FLAT BAR HOTROLL (MNF PART ONLY)
1936-699	16	SCREW: 1/4-20 X .5 PHILLIPS PAN HEAD SS WITH LOCK PATCH
1759-699	16	NUT: LOCK 1/4-20 WITH EXT LOCKWASHER SS
9999-193	1	POWDER COAT / SHOT BLAST - TAGALONG HIGH RISE TOP - (GPC BLACK)
9999-194	1	POWDER COAT / SHOT BLAST - TAGALONG HIGH RISE BASE - (GPC BLACK)
9999-195	4	POWDER COAT / SHOT BLAST - TAGALONG HIGH RISE LIFE BAR - (GPC BLACK)
1502-699	4	CASTER- 2" LOCKING SWIVEL
1414-699	0.39	STEEL ANGLE 2 X 2 X 1/8 - 20' PIECE (MNF PART ONLY)
1148-699	1	HIGH RISE LIFT CERTIFICATION TAG - TAGALONG
1809-699	2	RIVET: AB66A-SHORT/SMALL HEAD
1400-699		RIVET AIR GUN
4136-605		URINAL: OFFSET
4999-599		TANK TOTER - FRAME ONLY
1629-699	40	TUBING 1" X 1" X 11 GAGE FOR TANK TOTERS (MNF PART ONLY)
1550-699	2	WHEEL SOLID RUBBER 12"X3" 540LB CAPACITY FOR TANK TOTER

ADDITIONAL JOB SITE EQUIPMENT AND ACCESSORIES

PART #	QPU	DESCRIPTION
ACCESSORIES CONTINUED		
22407	8	SCREW-1/4-20X1-1/2 TRUSS
1713-699	8	WASHER: 1/4" STAINLESS FLAT
1759-699	8	NUT: LOCK 1/4-20 WITH EXT LOCKWASHER SS
6000-502		BLACK CONTAINMENT PAN-THERMOFORMED
6039-605		TP HOLDER - 3 ROLL, GRAY
1030-699		TOILET PAPER ROD FOR 3 ROLL HOLDER (SILVER OLD STYLE 3 ROLL)
8008-605		AG BASIN - 12" GRAY
8009-605		AG BASIN - 24" GRAY
8010-605		AG BASIN - 36" GRAY
19196		KIT-TOILET SEAT 2-1/2 BOLT/NUT SET
EASTERN STYLE SQUATTING SYSTEM		
1058-699-99		SQUAT TANK GRAB BAR ASSEMBLY -KIT
1058-699	1	GRAB BAR 18" LONG
1062-699	2	GRAB BAR BACKER PLATE
1751-699	6	NUT: ACORN 1/4-20
1941-699	6	SCREW: 1/4-20 X 3/4 PAN HD PHIL M/S 18-8
1707-699	6	WASHER: 1/4" STAR ZINC
4195-505		TANK: SQUAT (SPLIT TANK)
4195-705		TANK: SQUAT KIT
4196-505		LID: SQUAT FLUSH
4197-505		BOWL: SQUAT FLUSH
4197-599R		SQUAT TANK BOWL ASSEMBLY (REC FOOT FLUSH)
4271-699	2	DISCHARGE NOZZLE FOR FLIP-TOP TANK
1721-699	2	NUT FOR DISCHARGE NOZZLE
4197-505	1	BOWL: SQUAT FLUSH
1239-699	2	WHITE (NYLON) SWIVEL FEMALE 3/4 NPT X 1/2" BARB
1243-699	3.1	CLEAR PVC TUBING 1/2 ID X 3/4 OD REINFORCED
1243-699	1.33	CLEAR PVC TUBING 1/2 ID X 3/4 OD REINFORCED
1243-699	0.1667	CLEAR PVC TUBING 1/2 ID X 3/4 OD REINFORCED
1224-699	5	HOSE CLAMP #6 5/16" TO 7/8" DIA 5/16"W S/S WORM DRIVE CLAMP WITH 300 S/S SCREW
1670-699	1	BARBED HOSE TEE 1/2" X 1/2" X 1/2"
4281-699	1	FLAPPER: STAINLESS STEEL
22407	2	SCREW-1/4-20X1-1/2 TRUSS
1765-699	2	NUT: NYLON INSERT LOCK NUT SS 1/4 X 20
1713-699	2	WASHER: 1/4" STAINLESS FLAT
1977-699	1	BOLT: 3/8-16 X 1 FOR HIGH RISE LIFT BAR
1761-699	1	LOCK NUT NYLON 3/8-16
1718-699	11	WASHER: FENDER 3/8 X 1-1/2
4285-699	1	DISCHARGE NOZZLE SPACER

ADDITIONAL JOB SITE EQUIPMENT AND ACCESSORIES

PART #	QPU	DESCRIPTION
EASTERN STYLE SQUATTING SYSTEM CONTINUED		
4410-599		FLUSH SKID ASM FOOT FLUSH
23045	1	BASE- ROTO GREY AXXIX/VANTAGE
22668	1	PUMP- FOOT FLUSH 3/4
1965-699	9	SCREW: #8 X 1" PHILLIPS PAN
1938-699	4	SCREW 10-24 X 1-1/4" L WITH LOC
1705-699	9	WASHER: ALUMINUM 3/16
1329-599	1	PUMP SKID PLATE FOR FLUSH UNIT
1299-599-40	2	HOSE-3/4" CLEAR-40" LONG
1228-699	2	CLAMP #8 7/16"-1"DIA 1/2"W
16969	1	BEZEL- FOOT PUMP
4451-799-ST		DISCHARGE HOSE ASSEMBLY FOR SQUAT TANK-FLUSH SKID
1228-699	2	CLAMP #8 7/16" TO 1"DIA 1/2"W
1299-699	24.5	HOSE-CLR-3/4" DIAM. BY INCH
1299-699	17	HOSE-CLR-3/4" DIAM. BY INCH
1627-699	1	ELBOW - 3/4" BARBED X 3/4" BARBED, GRAY PVC
1965-699	1	SCREW: #8 X 1" PHILLIPS PAN HEAD SS
1338-699	1	NYLON LOOP CLAMP 1-1/2"
4450-799-ST		SUCTION HOSE ASSEMBLY FOR SQUAT TANK-FLUSH SKID
1228-699	6	CLAMP #8 7/16" TO 1"DIA 1/2"W
1299-599-02	1	HOSE-3/4" CLEAR-2" LONG (SOLD BY THE FOOT)
1627-699	3	ELBOW - 3/4" BARBED X 3/4" BARBED, GRAY PVC
1965-699	2	SCREW: #8 X 1" PHILLIPS PAN HEAD SS
1338-699	2	NYLON LOOP CLAMP 1-1/2"



Core Values Continue to Push Evolution Over Time

Founded in 1958 by Al Hilde, Jr. Satellite evolved from a simple notion of providing human dignity. He firmly believed that portable toilet services would be an essential and decent service for many. Later that year, Al Hilde built the first wooden prototype toilet. Shortly thereafter Hilde designed a service truck equipped with a vacuum pump and waste tank, and then went on to develop a deodorizer formula to ensure pleasing conditions inside the toilets.

In 1988 Satellite's rental and service division was sold in order for the company to focus on improving their design & supply of portable toilet equipment, service trucks, deodorizers and cleaning supplies to businesses around the world. Better equipment design and function was a significant driving force. Reducing minutes, even seconds, on service and repair times directly improved the operators' profitability and success.

Sixty-two years later Satellite's core focus remains the same, providing quality products that make you and your operators more efficient, successful and profitable. Give your operators the very best service vehicles, Satellite Vacuum Trucks won't let you down! Our technicians take great pride in building trucks that are ergonomically designed to reduce downtime, driver fatigue and service time.



*available in stainless steel

MD1600
(steel)

2020 Hino 268
Fresh: 500 gal
Waste 1100 gal



MD995
(steel)

2020 Hino 268
Fresh: 300 gal
Waste 695 gal



*available in stainless steel

MD950
(steel)

2020 Ford F-550
Fresh: 300 gal
Waste 650 gal



satellitevacuumtrucks.com | information@satelliteindustries.com | 800.883.1123





TAG 4 SINK

WORKS, ANYWHERE



NOW
WITH
HEAT



satelliteindustries.com | information@satelliteindustries.com | 800.883.1123

'21 PARTS & PRICE GUIDE



SECTION 3

HANDWASH, SANITIZER & ACCESSORIES

Free-Standing

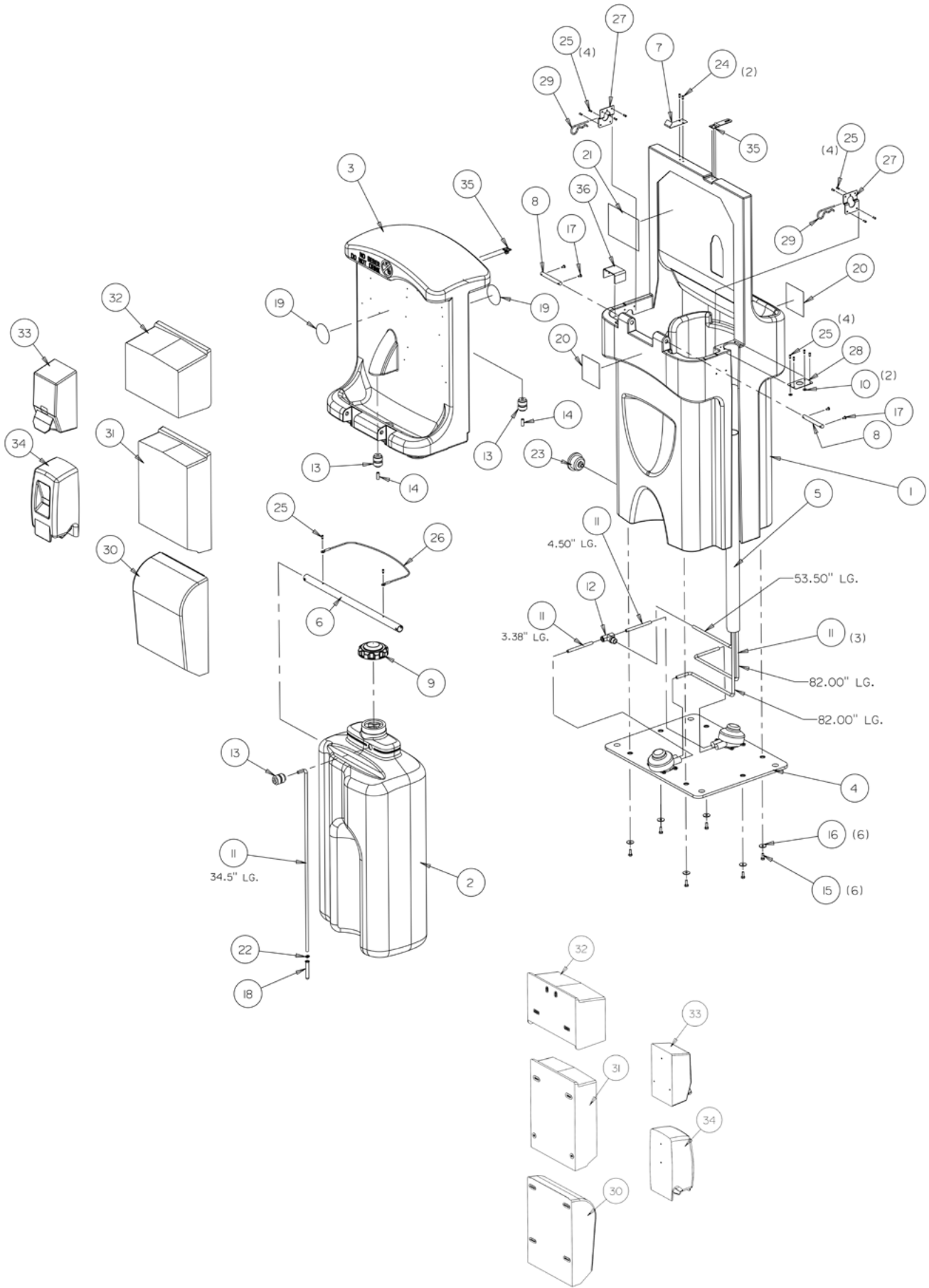
- Breeze I
- Breeze II
- Tag2
- Tag4
- Wave II
- Agwash

In-Unit

- Slimmate
- Slimmate Forearm
- Maxim 3000 II
- Maxim 3000 II Forearm
- PRO-12/22
- Handistand
- Towel Dispensers
- Soap & Sanitizer Dispensers



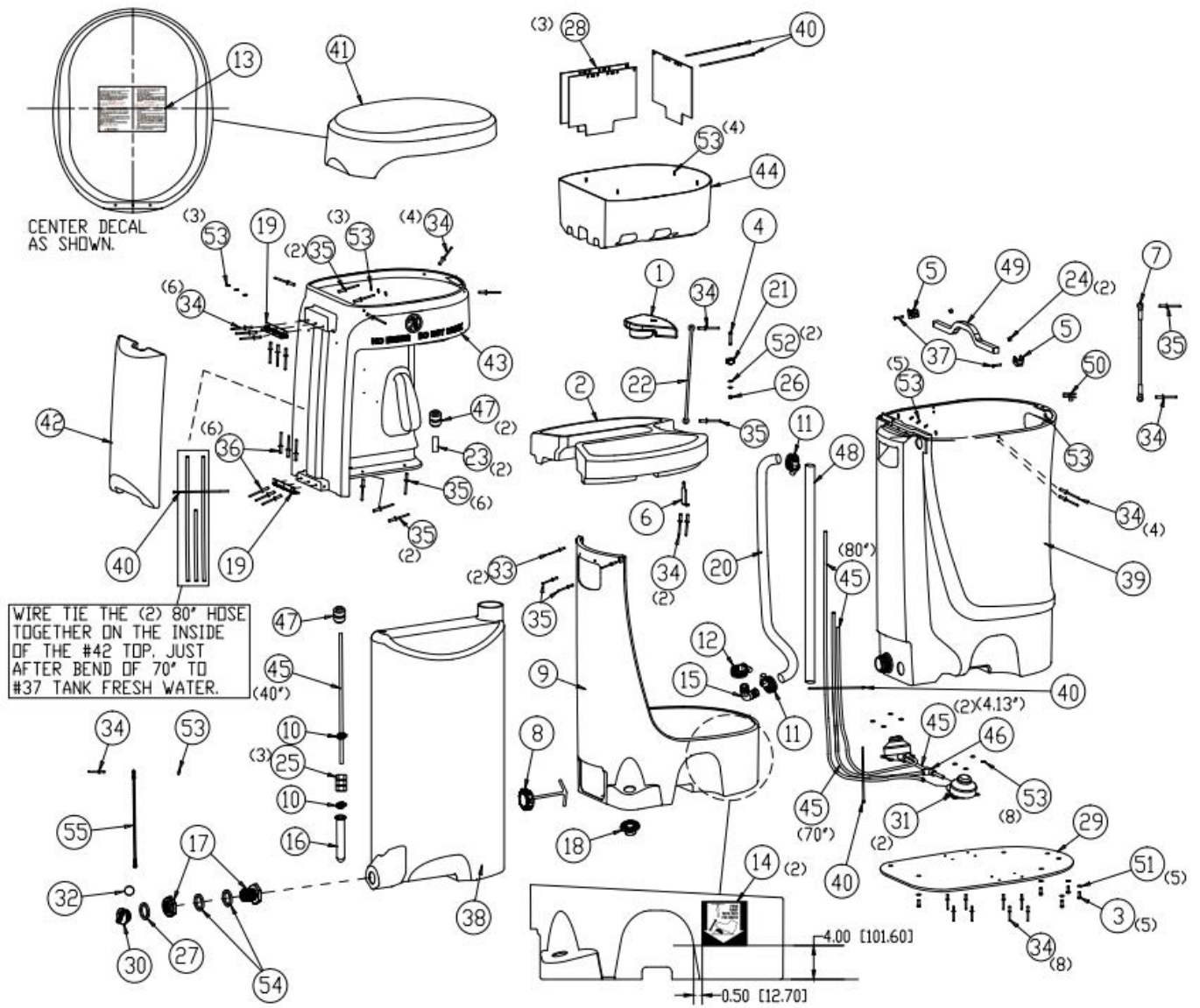
BREEZE I™ MAJOR ASSEMBLY



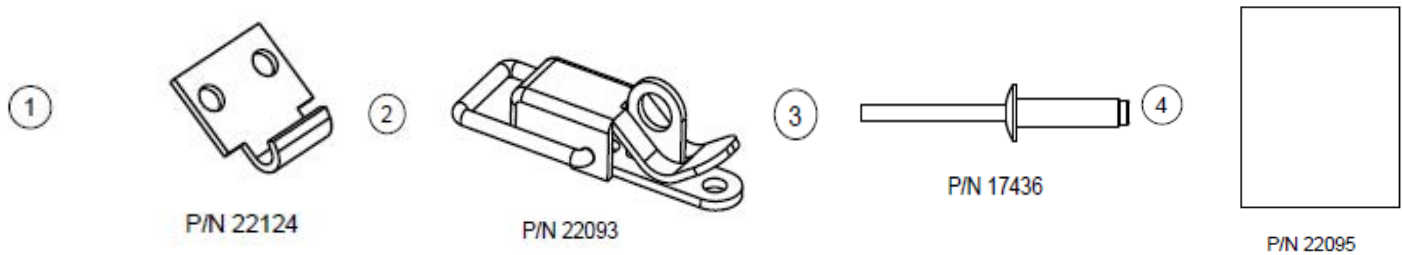
BREEZE I™ MAJOR ASSEMBLY

ITEM #	PART #	QPU	DESCRIPTION
	18233	1	THE BREEZE
1	18234	1	TANK. BREEZE GREY
2	18235	1	TANK, BREEZE FRESH
3	18236	1	BASIN. BREEZE
4	22504	1	PLATE ASSY. BREEZE BASE
5	18238	1	TUBE. BREEZE HOSE
6	18239	1	TUBE, BREEZE TANK HOLDDOWN AL
7	18240	1	LATCH, BREEZE
8	17395	2	STRUT. POLYETHYLENE SHORT
9	18344	1	CAP. 3H/2"WITH VENT
10	11315	2	WASHER. 3/16 RIVET STNLS
11	16304	260	HOSE, 3/8" OD TUBING
12	18345	1	TS FITTING, 3/8" HOS TEE
13	16823	3	TS FTG. 3/8"HOS X BULKHEAD
14	16819	2	NOZZLE. SPRAY
15	16814	6	BOLT. 1/4-20 X 3/4" HXHD STNLS
16	11360	6	WASHER. 1/4" I.D. FENDER STNLS
17	16393	4	SCREW, #10 X 1/2" HI-LO PHPN
18	16829	1	FILTER. 1/2" X 3.5 CYL
19	13776	2	DECAL, HANDWASH
20	17463	2	DECAL. PUMP INSTRUCTION
21	18242	1	DECAL. SERVICE PROCEDURE
22	10280	1	CLAMP. #06 WCRADRIVE
23	17458	1	PLUG 2.0" RUBBER HOLE
24	17435	2	RIVET. AVDEL SILVER
25	15975	14	RIVET #66 STNLS
26	2380	1	CABLE. BREEZE TANK
27	18374	2	BRACKET. BREEZE HOLDDOWN
28	18383	1	PLATE. BREEZE HOSE TUBE
29	18381	2	HAIRPIN COTTER 1" SS
			OPTIONS:
30	17898	2	KIT. SMOKE TOWEL DISPENSER
31	18366	2	KIT. MULTI FOLD TOWEL DISPENSER WHITE
32	18367	2	KIT. SINGLE FOLD TOWEL DISPENSER WHITE
33	18379	2	KIT. FOAM SOAP/SANITIZER DISPENSER
34	17402	2	DISPENSER. 800ML WITH FASTENERS
35	18446	1	KIT. HASP WITH FASTENERS
36	18447	1	KIT. WASTEBASKET BRACKET WITH FASTENERS

BREEZE II™ MAJOR ASSEMBLY



KIT- BREEZE II LATCH CAP LOCK



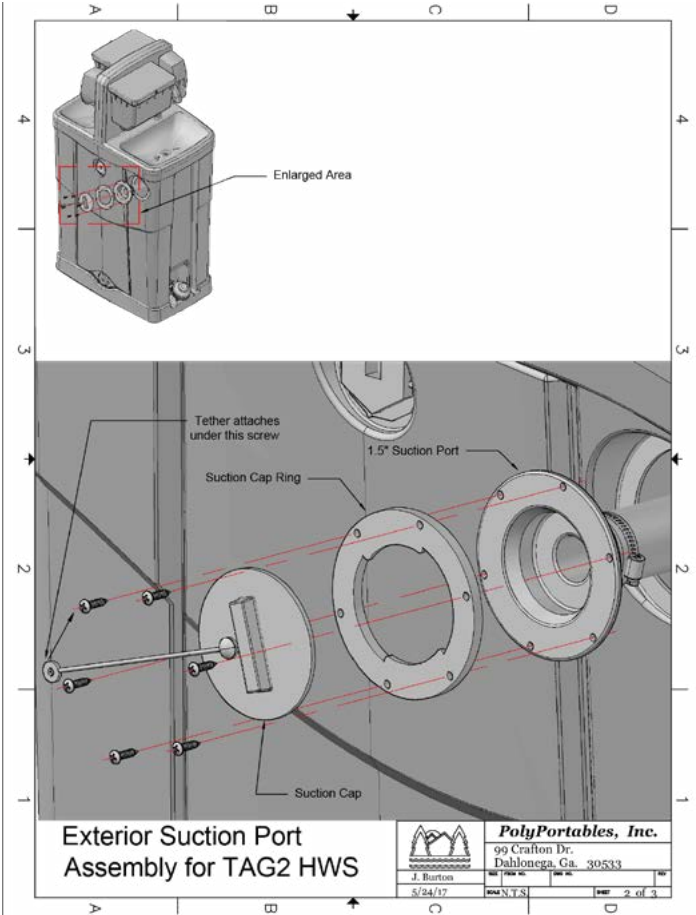
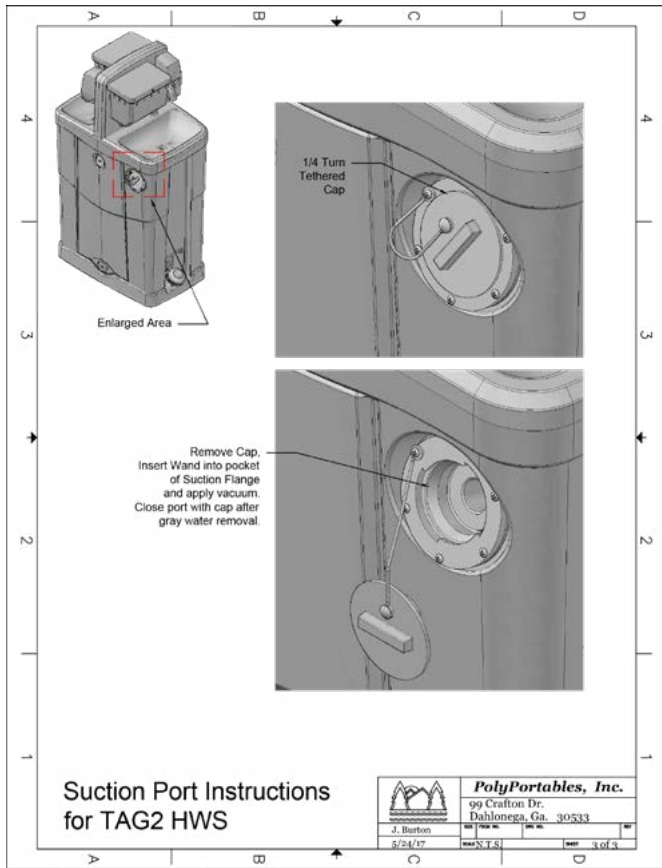
REV A ITEM #	PART #	QPU	DESCRIPTION
	22094	1	KIT- BREEZE II LATCH CAP LOCK
1	22124	1	STRIKE LATCH- BREEZE II CAP
2	22093	1	CATCH LATCH- BREEZE II CAP LCK
3	17436	4	RIVET- AVDEL SILVER
4	22095	1	INSTRUCTIONS- BREEZE II LATCH CP LOCK (SEE WEBSITE)

ITEM #	PART #	QPU	DESCRIPTION
	21300	1	BREEZE II- HANDWASH
1	21278	1	BASIN LID- BREEZE II DGRY
2	21272	1	BASIN- BREEZE II DGRY
3	16814	5	BOLT- 1/4-20 X 3/4 STNLS
4	12025	1	BOLT- 1/4-20 X 1-1/2 HX STNLS
5	21273	2	BRACKET- BREEZE II HOLDOWN
6	21326	1	BRACKET- BREEZE II BASIN LID
7	18380	1	CABLE- BREEZE TANK
8	21322	1	CAP- 2-1/4 WITH GSKT WITH TETHR PLST (Black Gray Water Cap)
9	21277	1	CAP- BREEZE II BOTTOM DGRY
10	21069	2	CLAMP- WORMDRIVE #4 STNLS
11	12588	2	CLAMP- WORMDRIVE #12
12	19386	1	CLAMP- WORMDRIVE #16
13	18242	1	DECAL- BREEZE/WAVE PROCEDURE
14	17463	2	DECAL- WAVE/BREEZE PUMP INSTR
15	21294	1	ELBOW- 90 3/4INS X 3/4INS POLY
16	16829	1	FILTER- 1/2 X 3-1/2 CYLINDER
17	21281	1	FITTING- BULKHEAD BREEZE II
18	21282	1	FITTING- PUMP OUT BREEZE II
19	21302	2	HINGE- BREEZE II
20	14384	44*	HOSE- #44 FLEX
21	21297	1	KNOB- 1/4 WING THUMB SCREW
22	21320	1	LAYNARD- 8in 2 EYELETS NYLON
23	16819	2	NOZZLE- THE WAVE
24	20903	2	NUT- #10-24 NYLOC STNLS
25	19271	3	NUT- 5/8-11 NC STNLS
26*	16307	1	NUT- 1/4-20 NYLOC STNLS
27	21511	1	O RING- 0.103 THK x 0.924 ID
28	21274	3	PANEL- BREEZE II TOWEL
29	21283	1	PLATE- BREEZE II BOTTOM
30	21284	1	PLUG- 3/4in STR PIPE WITH O RING (O'ring use PART # 21511) White Fresh Water Cap
31	16305	2	PUMP- BABY FOOT 3/8 HOSE INS
32*	21318	1	RING- SPLIT BREEZE II BASIN
33*	21327	2	RIVET- #616 AAP ALUM
34*	11027	27	RIVET- #66 ALUM
35	17436	14	RIVET- AVDEL SILVER
36*	15975	6	RIVET- #66 STNLS
37	19184	2	SCREW- #10-24 1-1/2 STNLS PHPN
38	21285	1	TANK- BREEZE II FRESH WATER
39	21286	1	TANK- BREEZE II GREY WATER
40	11261	5	TIE- WIRE 6in
41	21275	1	TOP CAP- BREEZE II DGRY
42	21276	1	TOP STRIPE- BREEZE II DGRY
43	21287	1	TOP- BREEZE II BLUE
44	21279	1	TOP- BREEZE II INSERT DGRY
45	16304	278*	TS HOSE- 3/8 OD TUBING
46	18345	1	TS FITTING- 3/8 HOS TEE
47	16823	3	TS FITTING- 3/8 HOS X BULKHEAD
48	21319	1	TUBE- 3/4 X 32in PVC SCH40
49	21288	1	TUBE- BREEZE II FRESH HOLDOWN
50*	21280	1	U-NUT- 1/4-20 PLTD
51*	11360	5	WASHER- 1/4 ID FENDER STNLS
52*	12382	2	WASHER- 1/4 FLAT STNLS
53	11315	25	WASHER- 3/16 RIVET STNLS
54	21295	2	WASHER- 1-1/2 ID RUBBER
55	22120	1	LANYARD- 8in BALL CHAIN STNLS
	21516	1	KIT- BREEZE II HEATER
	21558	1	PLUG- 1-1/2 ROUND WITH DRAIN HOLE
	20508	1	BOOT - BABY FOOT PUMP (BLACK)
	21416	1	INSTRUCTION- TOWEL BREEZE II (SEE WEBSITE)

* Only sold in multiples of 100

TAG 2 MAJOR ASSEMBLY

Tag2



TagAlong



TAG 2 SPECIFICATIONS

HEIGHT: 51.75" (1240MM)

LENGTH: 29" (710MM)

WEIGHT: 70 lbs (31.75kg)

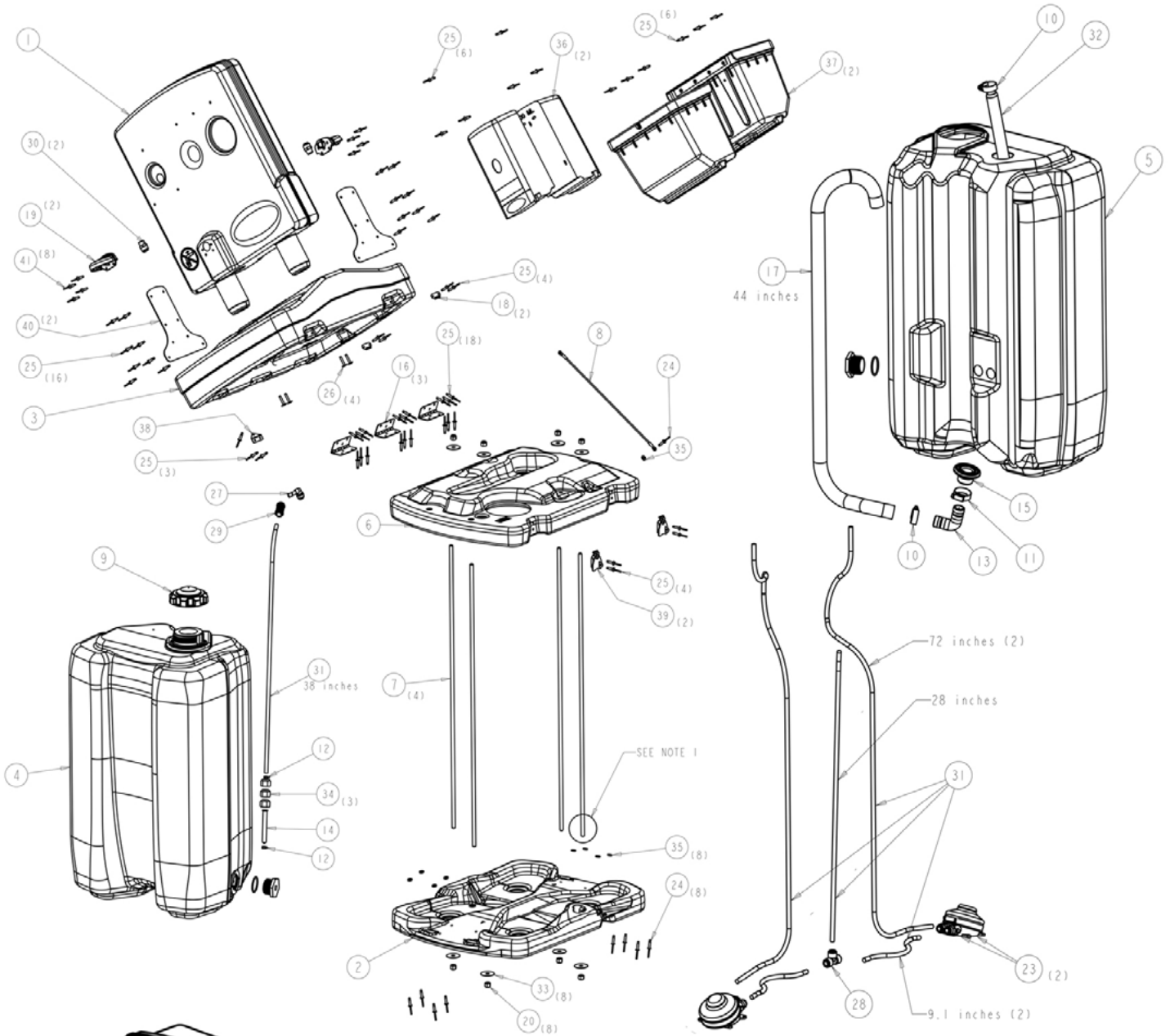
WIDTH: 17" (430MM)

TAG 2 MAJOR ASSEMBLY

ITEM #	QPU	DESCRIPTION
Tag2		
8029-605	1	FRESHWATER TANK FOR TAG 2 HANDWASH STATION - GRAY - MTO
8028-605	1	BASE FOR TAG 2 HANDWASH STATION - GRAY - MTO
8150-605	2	TOWEL DISPENSER: GRAY
1808-699	8	RIVET: 688 TRI-BULB (COAT HOOK, MIRROR, SLIDE LATCH BRACKET)
1038-699	2	PADLOCK (55/25) WITH KEY (5253) (Key- 1050-699)
1124-699	2	DECAL: NOT FOR DRINKING OR COOKING
9801-699		DISPENSER
9803-699	1	REFILL: MOISTURIZING SOAP
9807-699	1	LABEL (SMALL) HAND SANITIZER / MOISTURIZING SOAP
1102-699	1	PUMP- FOOT PUMP FOR TAG 2 GP4634B (10MM NIPPLE) - OLD TAG ALONG ONLY
TagAlong		
8150-605-99	2	TOWEL DISPENSER WITH LOCK: GRAY
8150-605	2	TOWEL DISPENSER: GRAY
1038-699	2	PADLOCK (55/25) WITH KEY (5253) (Key- 1050-699)
9803-699	2	REFILL: LOTION SPRAY SOAP - 400 ML BAG
9801-699	2	DISPENSER: SPRAY SOAP - 400 ML BAG
8150-605-99	1	TOWEL DISPENSER WITH LOCK: GRAY
8150-605	1	TOWEL DISPENSER: GRAY
1038-699	1	PADLOCK (55/25) WITH KEY (5253) (Key- 1050-699)
9803-699	2	REFILL: LOTION SPRAY SOAP - 400 ML BAG
9801-699	1	DISPENSER: SPRAY SOAP - 400 ML BAG
8156-603	1	SUPERMATE HAND WASH ASSEMBLED BLUE

DISCONTINUED

TAG 4 MAJOR ASSEMBLY

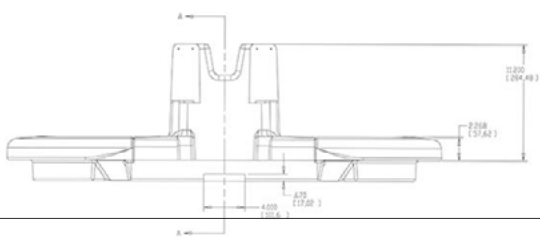
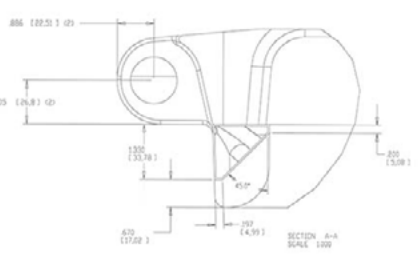
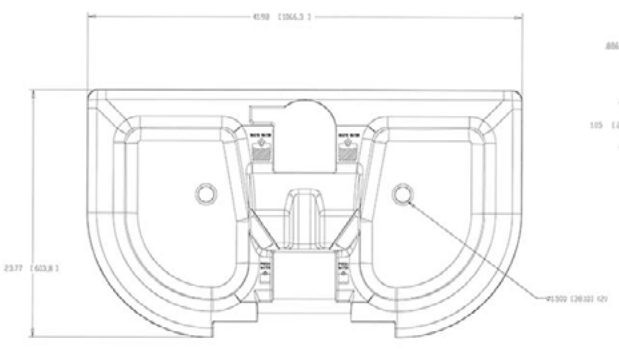
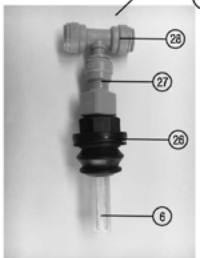
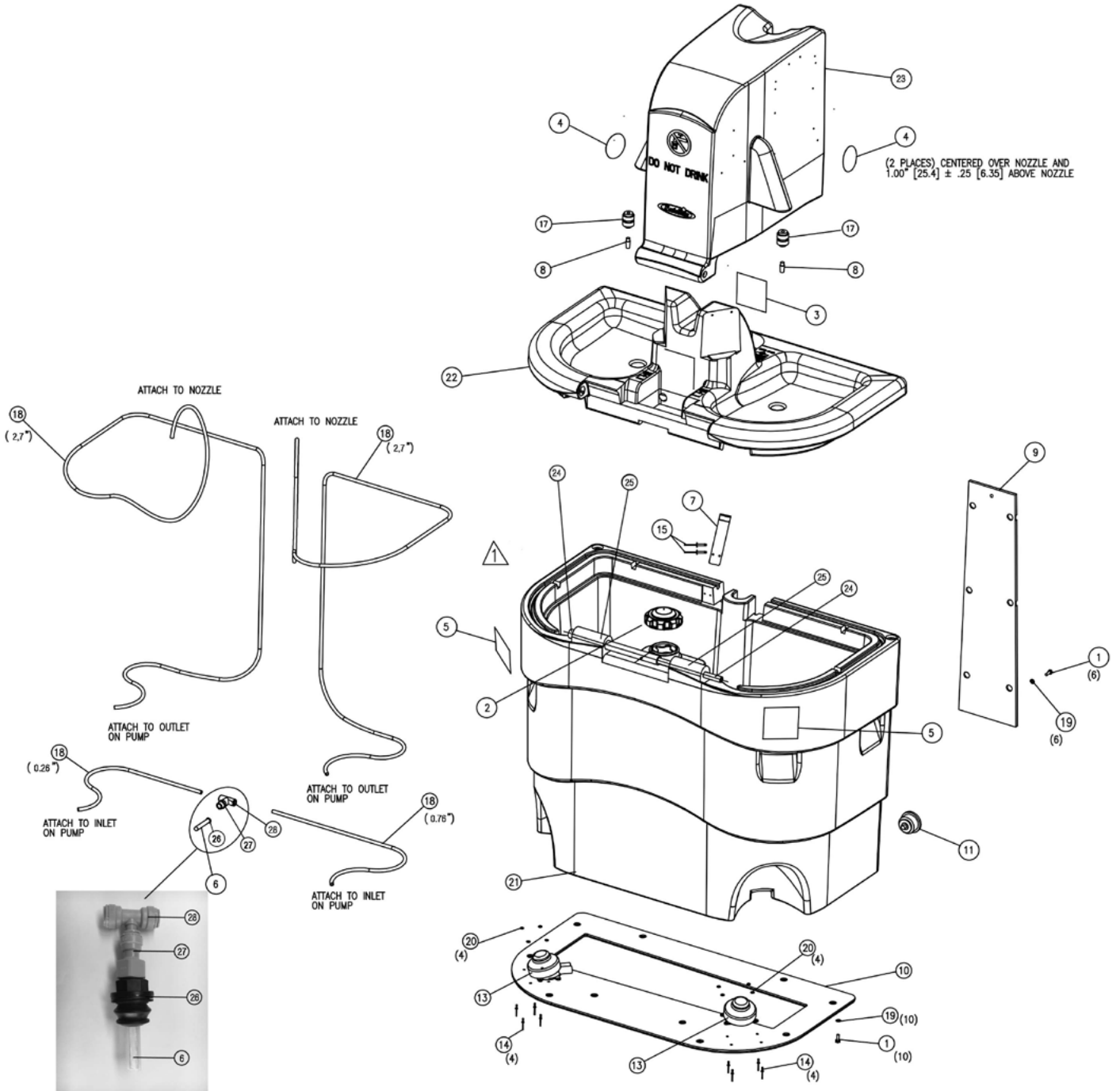


TAG 4 SIZE SPECIFICATIONS	
HEIGHT: 51.75" (1240MM)	LENGTH: 29" (710MM)
WEIGHT: 70 lbs (31.75kg)	WIDTH: 17" (430MM)

TAG 4 MAJOR ASSEMBLY

ITEM #	PART #	QPU	DESCRIPTION
1	23345	1	BACKSPLASH- TAG4 DGRY
2	23346	1	BASE- TAG4 DGRY
3	23344	1	BASIN- TAG4 DGRY
4	23342	1	TANK ASSY- TAG4 FRESHWATR DGRY
5	23343	1	TANK ASSY- TAG4 GREYWATER DGRY
6	23347	1	TOPCAP- TAG4 DGRY
7	23348	4	ROD- TAG4 THREADED
8	23457	1	CABLE- 15" TAG4
9	18344	1	CAP- 3-1/2IN WITH VENT
10	12588	2	CLAMP- WORMDRIVE #12
11	19386	1	CLAMP- WORMDRIVE #16
12	21069	2	CLAMP- WORMDRIVE #4 STNLS
13	21294	1	ELBOW- 90 3/4INS X 3/4INS POLY
14	16829	1	FILTER- 1/2 X 3- 1/2 CYLINDER
15	21282	1	FITTING- PUMP OUT BREEZE II
16	23465	3	HINGE- 6 HOLE STNLS
17	14384	44"	HOSE- #44 FLEX
18	23376	2	STRIKE LATCH- 3674-00 STNLS
19	23458	2	NOZZLE- HOODED WATERFALL DGRY
20	52345	8	NUT- 3/8 NC NYLOC STNLS
23	16305	2	PUMP- BABY FOOT 3/8 HOSE INS
24	22207	9	RIVET- #68 AAP POP
25	17436	57	RIVET- AVDEL SILVER
26	22604	4	RIVET- TRI LOBE X 5/8 LF
27	22969	1	FITTING- TS 90DEG 3/8 HOSXSTEM
28	18345	1	TS FITTING- 3/8 HOS TEE
29	23534	1	TS FITTING- 1" BULKHEAD
30	16302	2	TS FITTING- 3/8 HOS X NPT
31	16304	228.2"	HOSE- 3/8 OD TUBING
32	23363	1	TUBE- 3/4 X 30IN PVC SCH40
33	23349	8	WASHER- 3/8 ID FENDER STNLS
34	19271	3	NUT- 5/8- 11 NC STNLS
35	11315	9	WASHER- 3/16 RIVET STNLS
36	20890	2	DISPENSER- 800ML IN BLACK
37	8150-605	2	TOWEL DISPENSER: GRAY
38	23372	1	BRACKET- TETHER MOUNT
39	23454	2	LATCH- TWIST BUTTERFLY STNLS
40	23461	2	PLATE- TAG4
41	18755	8	RIVET- AVDEL SILVER LONG

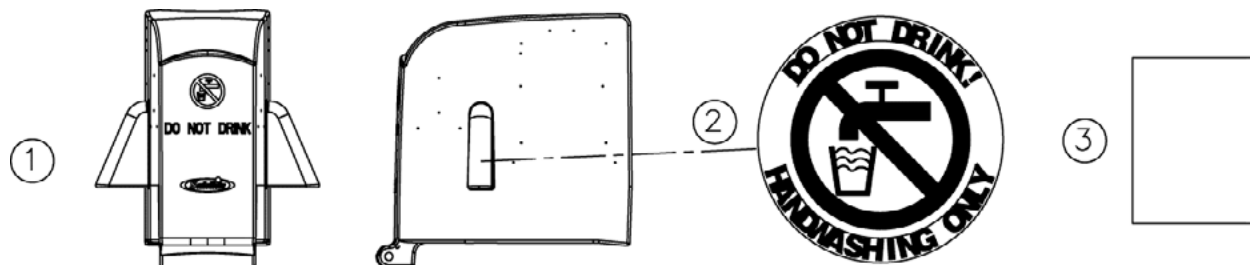
WAVE II™ MAJOR ASSEMBLY



WAVE II™ MAJOR ASSEMBLY

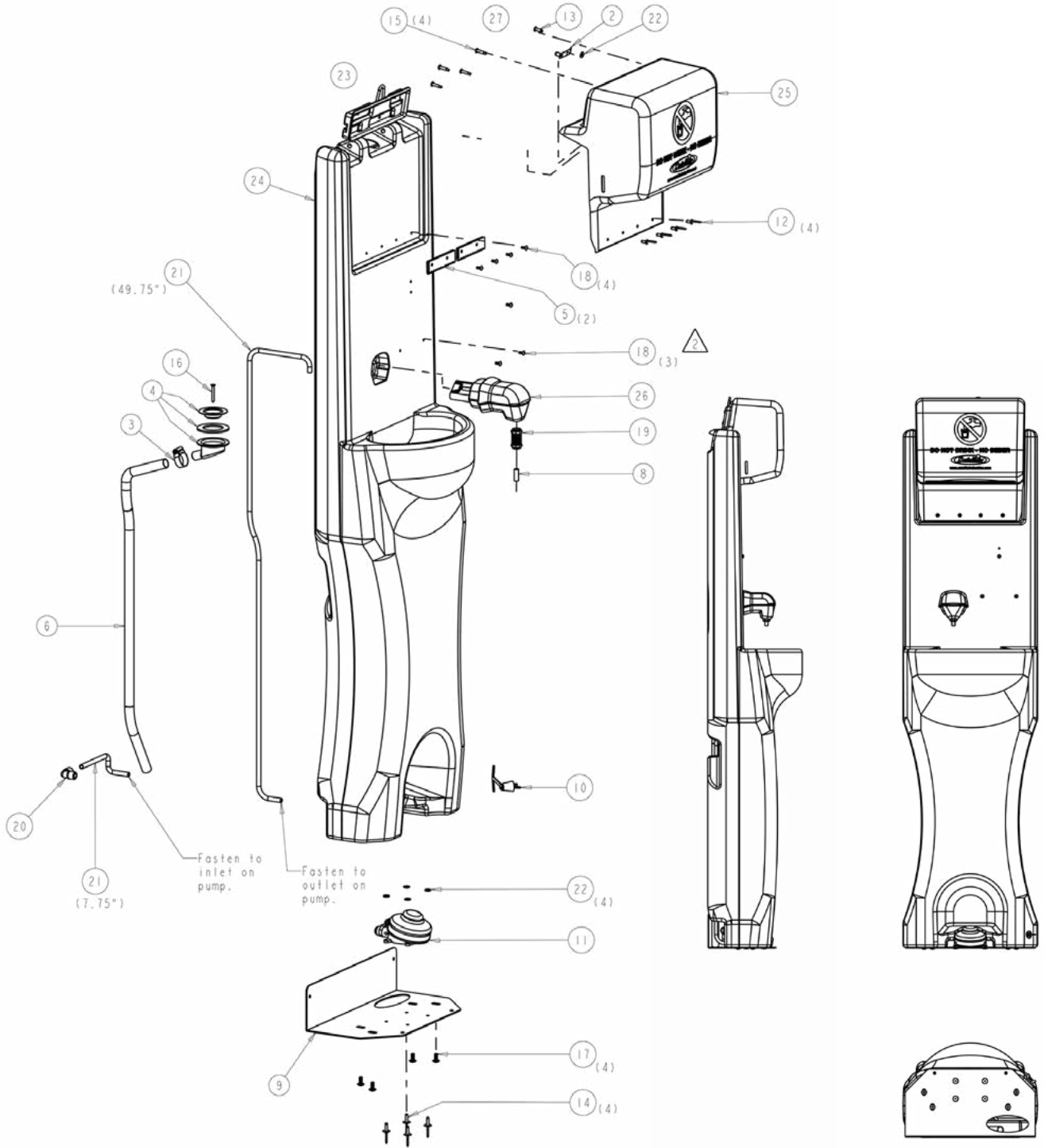
ITEM #	PART #	QPU	DESCRIPTION
	18378	1	THE WAVE II
1	23352	16	BOLT- M6/10MM
2	18344	1	CAP- 3- 1/2IN WITH VENT
3	18242	1	DECAL- BREEZE/WAVE PROCEDURE
4	13776	2	DECAL- DO NOT DRINK
5	17463	2	DECAL- WAVE/BREEZE PUMP INSTR
6	16829	1	FILTER- 1/2 X 3- 1/2 CYLINDER
7	16818	1	LATCH- THE WAVE
8	16819	2	NOZZLE- THE WAVE
9	16820	1	PLATE- THE WAVE BACK
10	16821	1	PLATE- THE WAVE BOTTOM
11	17458	1	PLUG- 2IN RUBBER HOLE
13	16305	2	PUMP- BABY FOOT 3/8 HOSE INS
14	11024	8	RIVET- #610 AAP
15	18755	2	RIVET- AVDEL SILVER LONG
17	16823	2	TS FITTING- 3/8 HOS X BULKHEAD
18	16304	276	TS HOSE- 3/8 OD TUBING
19	11360	16	WASHER- 1/4 ID FENDER STNLS
20	11315	8	WASHER- 3/16 RIVET STNLS
21	18339	1	TANK- WAVE II WITH LIFT HANDLES
22	18340	1	DECK- WAVE II
23	18341	1	COVER- WAVE II NARROW
24	23354	0.33	TUBE- THE WAVE 30MM
25	12007	2	SCREW- #10 X 1- 1/4 PN PH TAP
26	23353	1	EXP QUICK FITTING- 30MM 1/2
27	23471	1	TS FITTING- 3/8 HOS X 1/2 BSPP
28	23472	1	TS FITTING- 3/8 HOS X 3/8 PLUG

WAVE II™ COVER- NARROWR RETRO

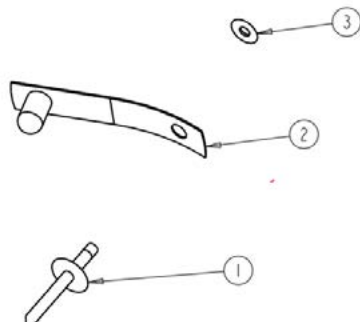


ITEM #	PART #	QPU	DESCRIPTION
	18436	1	KIT- WAVE II COVER NARROW RETR
1	18341	1	COVER- WAVE II NARROW
2	13776	2	DECAL- DO NOT DRINK
3	18435	1	INSTRUCTIONS WAVE II COVR/RTO (SEE WEBSITE)

AGWASH- HANDWASH



Agwash Button Spring

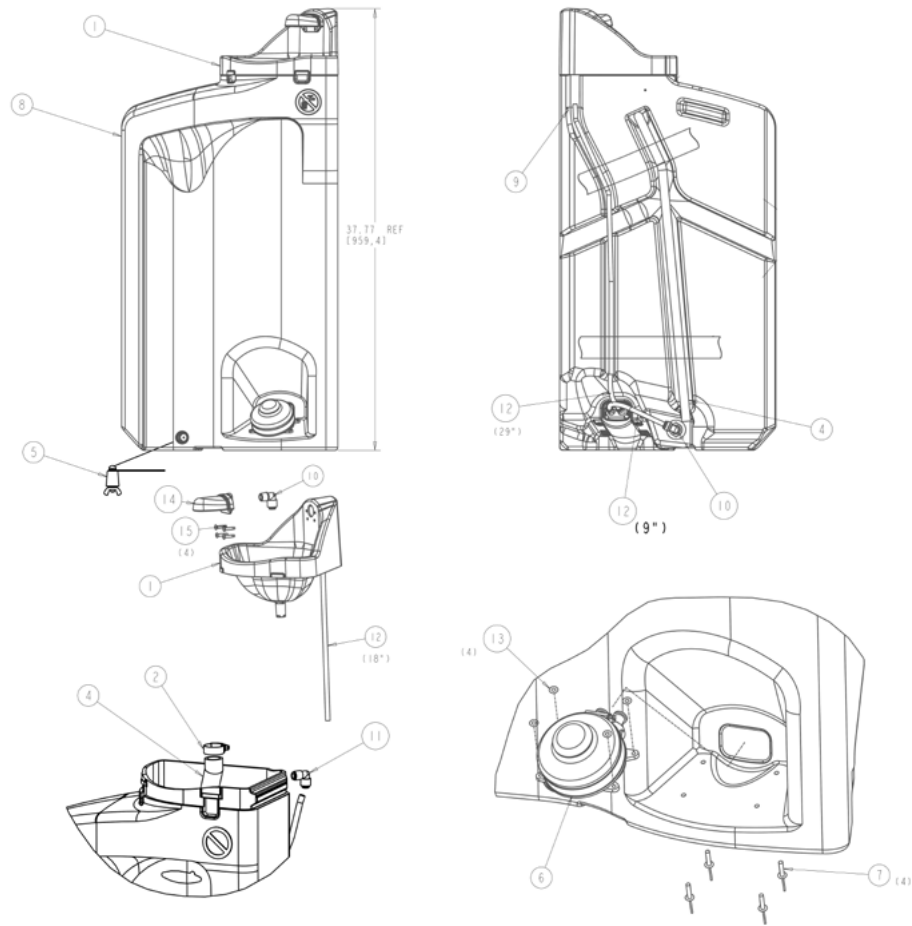


AGWASH- HANDWASH

ITEM #	PART #	QPU	DESCRIPTION
	40082	1	HANDWASH- AGWASH
1	22396	1	BODY/PARTS ASSEMBLY- AGWASH
2	22287	1	BUTTON-5/8 SPRING ARM HANDWASH
3	12588	1	CLAMP- WORMDRIVE #12
4	21460	1	DRAIN- AGWASH
5	21452	2	HINGE- AGWASH
6	16392	37.5"	HOSE- 3/4 LOW PRESSURE
7	21462	1	INSTRUCTION- AGWASH (SEE WEBSITE)
8	16819	1	NOZZLE- THE WAVE
9	21464	1	PLATE- AGWASH
10	20576	1	PLUG- 3/4 EXPANDING WITH TETHER
11	16305	1	PUMP- BABY FOOT 3/8 HOSE INS
12	12393	4	RIVET- #64 AAP POP
13	11027	1	RIVET- #66 ALUM
14	11054	4	RIVET- #68 AAL POP
15	18755	4	RIVET- AVDEL SILVER LONG
16	17505	1	SCREW- #10-24 X 1-1/2 STNLS PH
17	21465	4	SCREW- 1/4-20 X 5/8 TRUSS SS
18	21466	7	SCREW- 8-32 X 7/16 TRUSS PH SS
19	16823	1	TS FITTING- 3/8 HOS X BULKHEAD
20	16301	1	TS FITTING- 90DEG 3/8 HOSXNPTF
21	16304	57.5"	TS HOSE- 3/8 OD TUBING
22	11315	5	WASHER- 3/16 RIVET STNLS
23	21467	1	WIREFORM- AGWASH
	21993	1	KIT- AGWASH PAPER TOWEL HASP

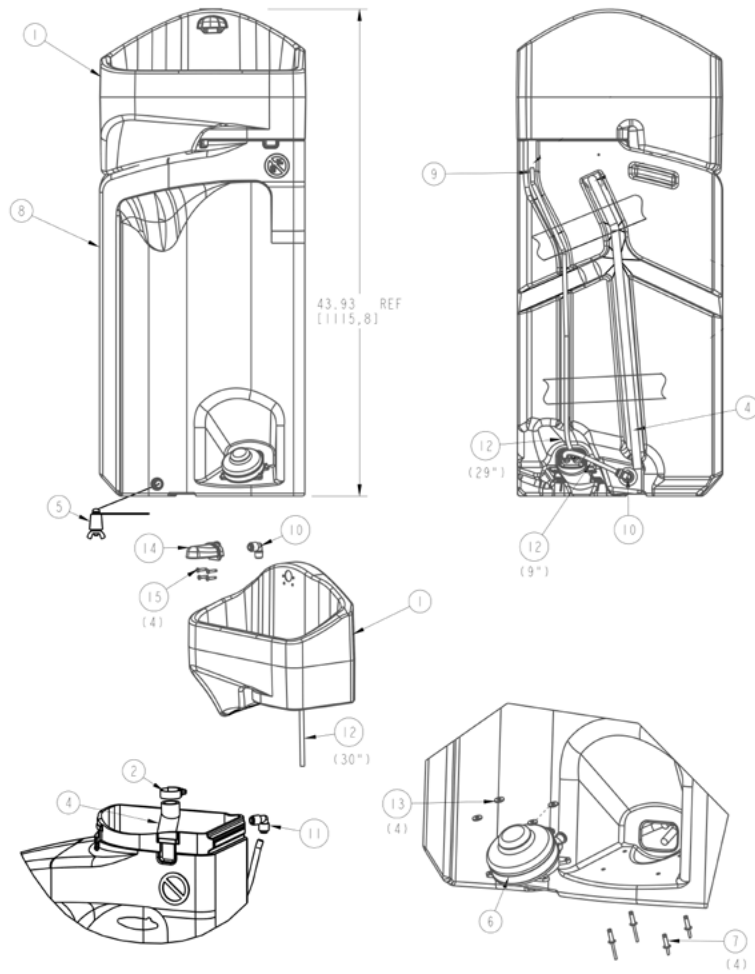
* Only sold in multiples of 100

SLIMMATE™

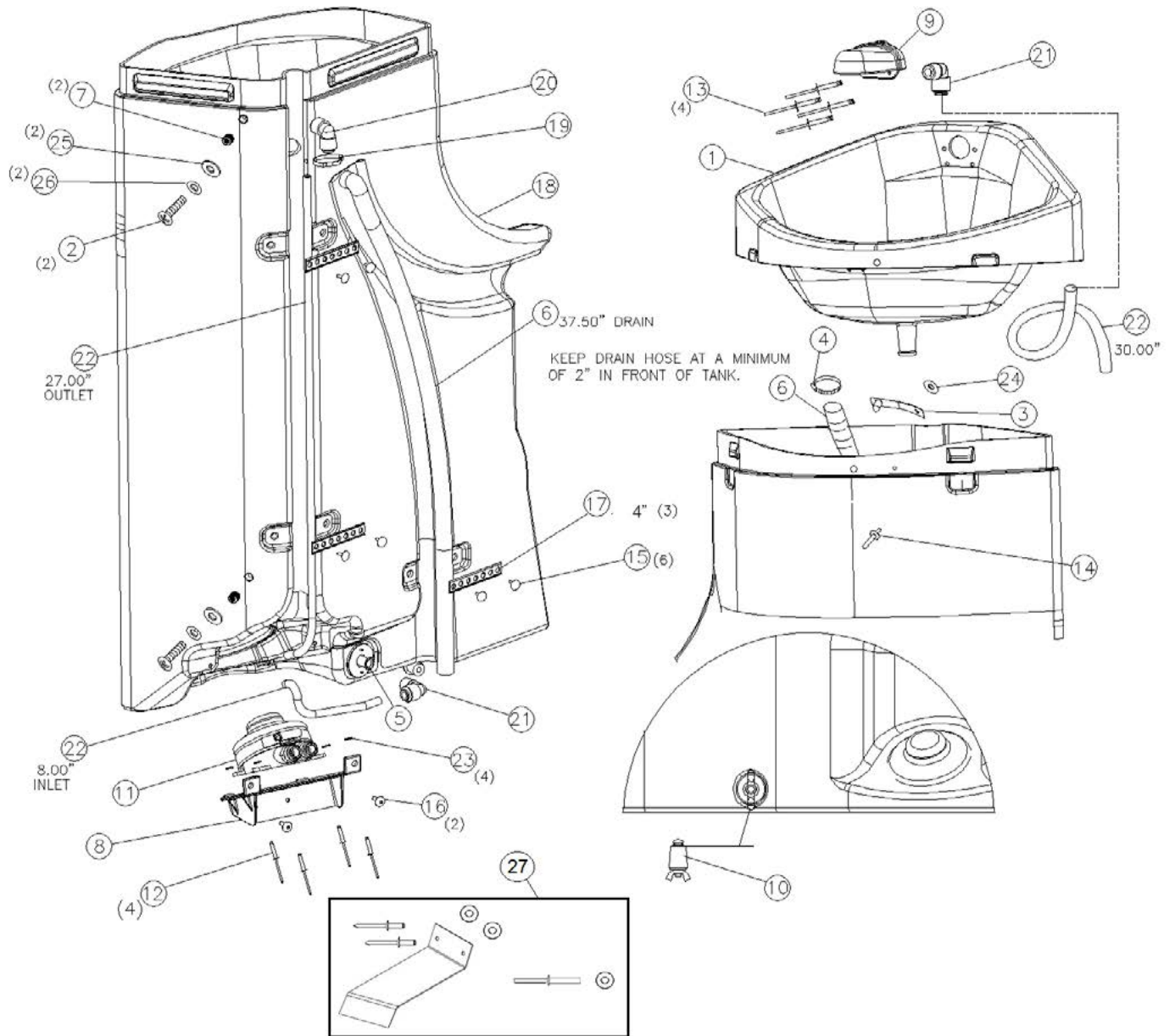


ITEM #	PART #	QPU	DESCRIPTION
	20626	1	SLIMMATE BASIN ASSY
1	20622	1	BASIN- SLIMMATE 11/3 DGRY
10	16301	2	TS FITTING- 90DEG 3/8 HOSXNPTF
12	16304	56"	TS HOSE- 3/8 OD TUBING
14	23458	1	NOZZLE- SLIM/HAND HOODED DGRY
15	18755	4	RIVET- AVDEL SILVER LONG
2	12588	1	CLAMP- WORMDRIVE #12
3	23703	1	HDWE KIT- SLIMMATE 3 EU, CONTAINS:
8	14506	1	SPACER- 0.260 ID X 0.750 NYLN
	1139-699	1	SINK BRACKET FLOOR FOR SLIM 12
	22476	1	SCREW- #10 X 1 PHPN TAP PLTD"
	23702	1	NUT- 1/4-20 STNLS
	15340	1	WASHER- 1/4 STAR STNLS
	23701	1	NUT- M6 WING TYPE A2 M6 STNLS
	23700	1	BOLT- M6X40 A2 STNLS
	23699	1	WASHER- 10.5MM TYPE A A2 STNLS
4	16392	37.5"	HOSE- 3/4 LOW PRESSURE
5	20576	1	PLUG- 3/4 EXPANDING WITH TETHER
6	16305	1	PUMP- BABY FOOT 3/8 HOSE INS
7	11027	4	4 RIVET- #66 ALUM
8	23130	1	TANK- SLIMMATE 3 DRGY
9	11261	1	TIE- WIRE 6IN
11	16656	1	TS FITTING- 90DEG 3/8 HOSXHOS
13	11315	4	WASHER- 3/16 RIVET STNLS

SLIMMATE™ FOREARM



ITEM #	PART #	QPU	DESCRIPTION
	20627	1	BASIN ASSY-FORM SLIM II/3 DGRY, CONTAINS:
1	20625	1	BASIN- SLIMMATE 11/3 FORM DGRY
10	16301	2	TS FITTING- 90DEG 3/8 HOSXNPTF
12	16304	68"	TS HOSE- 3/8 OD TUBING
15	18755	4	RIVET- AVDEL SILVER LONG
	18755	4	2 23458 1 NOZZLE- HOODED WATERFALL DGRY
2	12588	1	CLAMP- WORMDRIVE #12
3	23703	1	HDWE KIT- SLIMMATE 3 EU
4	16392	37.5"	HOSE- 3/4 LOW PRESSURE
5	20576	1	PLUG- 3/4 EXPANDING WITH TETHER
6	16305	1	PUMP- BABY FOOT 3/8 HOSE INS
7	11027	4	RIVET- #66 ALUM
8	23130	1	TANK- SLIMMATE 3 DRGY
9	11261	1	TIE- WIRE 61N
11	16656	1	TS FITTING- 90DEG 3/8 HOSXHOS
13	11315	4	WASHER- 3/16 RIVET STNLS
14	23458	1	NOZZLE- SLIM/HAND HOODED DGRY



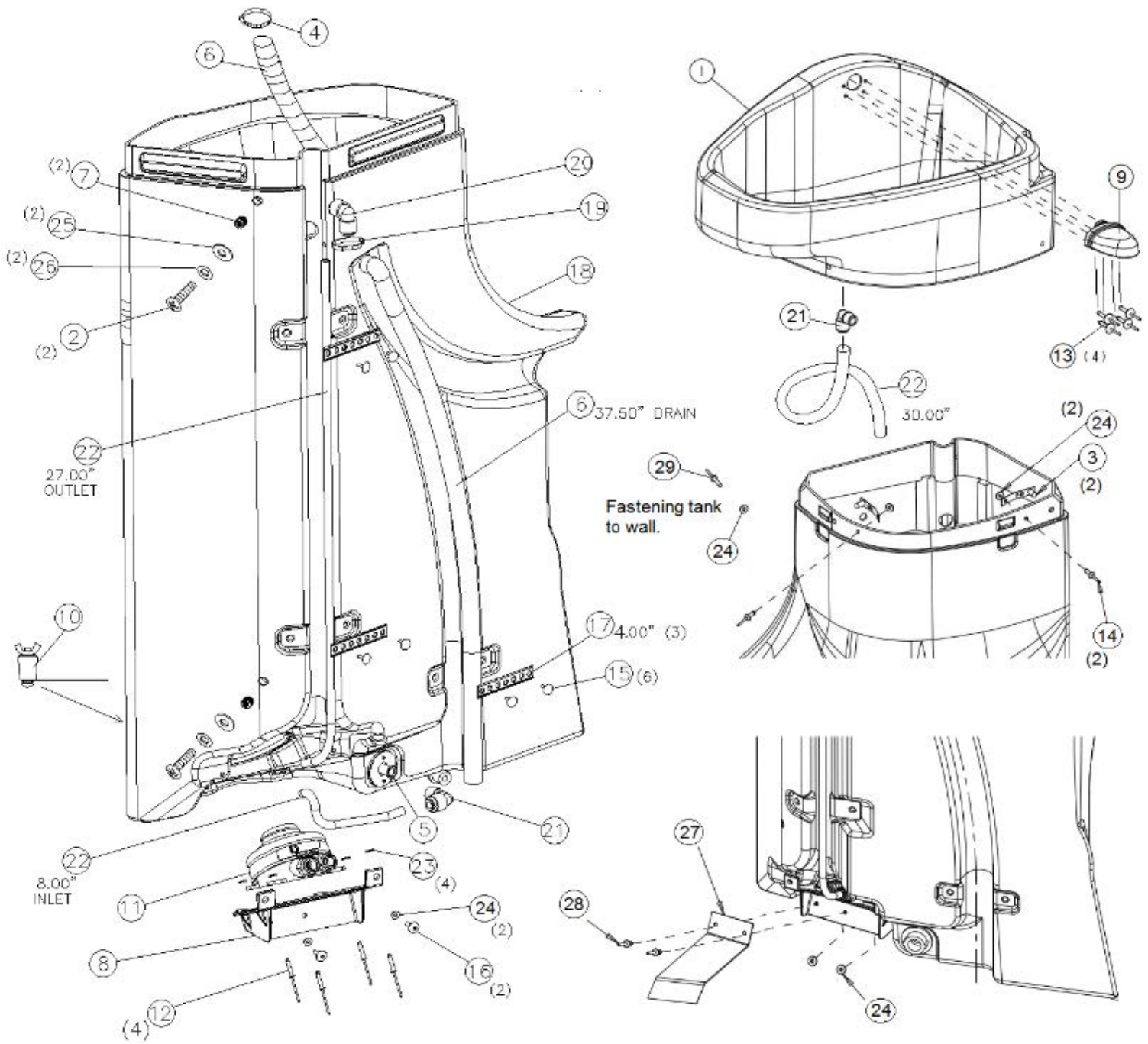
MAXIM 3000® II - HAND WASH MAJOR ASSEMBLY SEPTEMBER 2016

REV B ITEM #	PART #	QPU	DESCRIPTION
	22362	1	HANDWASH- MX3 II WITH SMALL BASIN
1		1	BASIN- MX3 HANDWASH
	19098	1	BASIN ASSY- HANDWASH MX3 RETRO
2*	16110	2	BOLT- 1/4-20 X 5/8 PN HD STNLS
3	22287	1	BUTTON- SPRING ARM HANDWASH
4	12588	1	CLAMP- WORMDRIVE #12
5	16829	1	FILTER- 1/2 X 3-1/2 CYLINDER
6	16392	37.50"	HOSE- 3/4 LOW PRESSURE
7	16303	2	INSERT- 1/4-20 STEEL ZINC COBL
8	16113	1	MOUNT PLATE- SLIMMATE II PUMP
9	23458	1	NOZZLE- HOODED GREY
10	20576	1	PLUG- 3/4 EXPANDING WITH TETHER
11	16305	1	PUMP- BABY FOOT 3/8 HOSE INS
12*	15144	4	RIVET- #410 ALUM
13*		4	RIVET- AVDEL SILVER LONG
14*	11027	1	RIVET- #66 ALUM
15*	16804	6	RIVET- PINE TREE 1/4 X 9/16
16*	16393	2	SCREW- #10 X 1/2 HI-LO PHPN
17	16873	12"	STRAPPING- 5/8 PERFORATED
18	16837	1	TANK- MAX3000 HANDWASH
19	11261	1	TIE- WIRE 6IN
20	16656	1	TS FITTING- 90DEG 3/8 HOSXHOS
21	16301	2	TS FITTING- 90DEG 3/8 HOSXNPTF
22	16304	65"	TS HOSE- 3/8 OD TUBING
23*	11384	4	WASHER- 1/8 RIVET STNLS
24*	11315	1	WASHER- 3/16 RIVET STNLS
25*	12382	2	WASHER- ¼ FLAT STNLS
26*	15340	2	WASHER- ¼ STAR STNLS
27	22361	1	HDWE KIT- MX3 II HDWSH/SMALL (NEED FOR NEW MIXIM UNIT), CONTAINS:
	11315	3	WASHER- 3/16 RIVET STNLS
	12393	2	RIVET- #64 AAP POP
	10812	1	RIVET- #612 ALUM
	22469	1	BRACKET- MX3 II HANDWASH MOUNT
	20508	1	BOOT - BABY FOOT PUMP (BLACK)
16	16304	30"	TS HOSE- 3/8 OD TUBING
	18437	1	INSTRUCTION- MX3FORM BASN RET (SEE WEBSITE)

* Only sold in multiples of 100

MAXIM 3000® II - HAND WASH FOREARM MAJOR ASSEMBLY

SEPTEMBER 2016



MAXIM 3000® II - HAND WASH FOREARM MAJOR ASSEMBLY

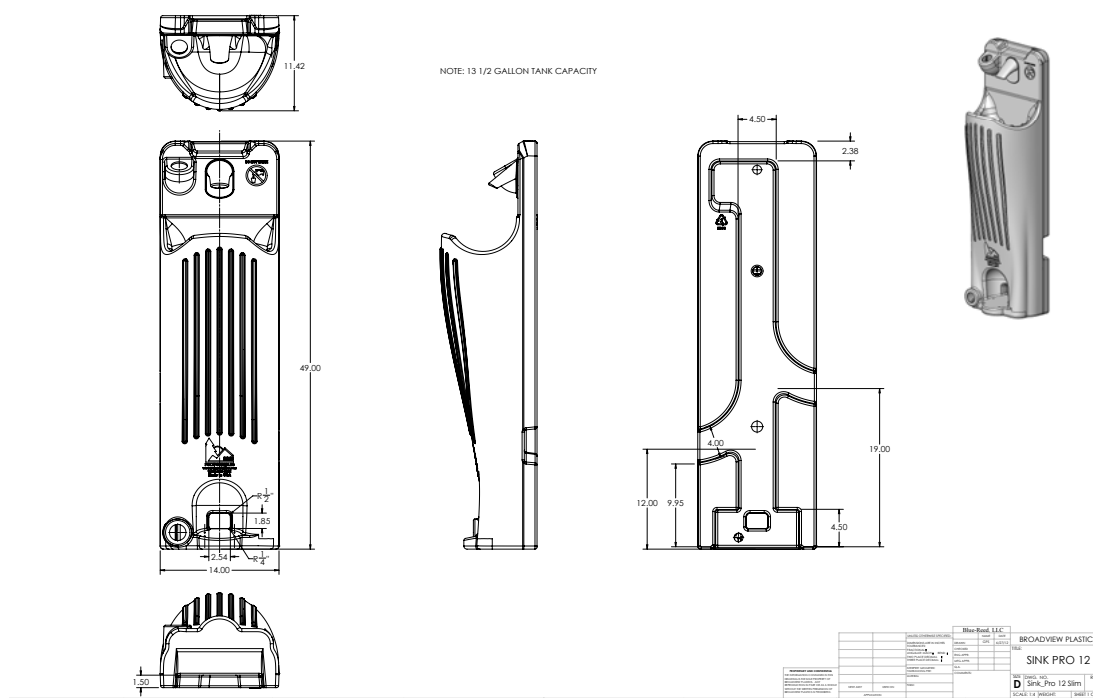
ITEM #	PART #	QPU	DESCRIPTION
	22300	1	HANDWASH- MX3 II FOREARM
	22288	1	BASIN ASSY- MX 3000 II FOREARM, CONTAINS:
22	16304	65"	TS HOSE- 3/8 OD TUBING
21	16301	2	TS FITTING- 90DEG 3/8 HOSXNPTF
	19969	4	RIVET- 4.8MM X 18MM PEEL ALUM
9	23458	1	NOZZLE- HOODED GREY
1	22253	1	BASIN- MX3 HANDWASH
2*	16110	2	BOLT- 1/4-20 X 5/8 PN HD STNLS
3	22287	2	BUTTON-5/8 SPRING ARM HANDWASH
4	12588	1	CLAMP- WORMDRIVE #12
5	16829	1	FILTER- 1/2 X 3-1/2 CYLINDER
6	16392	37.50"	HOSE- 3/4 LOW PRESSURE
7	16303	2	INSERT- 1/4-20 STEEL ZINC COBL
8	16113	1	MOUNT PLATE- SLIMMATE II PUMP
10	20576	1	PLUG- 3/4 EXPANDING WITH TETHER
11	16305	1	PUMP- BABY FOOT 3/8 HOSE INS
12*	15144	4	RIVET- #410 ALUM
13*	18755	4	RIVET- AVDEL SILVER LONG
14*	11027	2	RIVET- #66 ALUM
15*	16804	6	RIVET- PINE TREE 1/4 X 9/16
16*	16393	2	SCREW- #10 X 1/2 HI-LO PHPN
17	16873	12"	STRAPPING- 5/8 PERFORATED
18	16837	1	TANK- MAX3000 HANDWASH
	21728	1	TANK ASSY- MX3 HANDWASH DGRY
19	11261	1	TIE- WIRE 6IN
20	16656	1	TS FITTING- 90DEG 3/8 HOSXHOS
23*	11384	4	WASHER- 1/8 RIVET STNLS
24*	11315	5	WASHER- 3/16 RIVET STNLS
25*	12382	2	WASHER- ¼ FLAT STNLS
26*	15340	2	WASHER- ¼ STAR STNLS
27	22469	1	BRACKET- MX3 II HANDWASH MOUNT
28	12393	2	RIVET- #64 AAP POP
29	10812	1	RIVET- #612 ALUM
	20508	1	BOOT - BABY FOOT PUMP (BLACK)
	22419	1	INSTRUCTION- MX3 II HANDWASH (SEE WEBSITE)

* Only sold in multiples of 100

PRO-12 & 22 IN-UNIT HANDWASH STATIONS

PRO 12 SINK SPECIFICATIONS

HEIGHT: 39" (980MM)	LENGTH: 10.5" (270MM)
WEIGHT: 17 lbs (7.8kg)	WIDTH: 14" (360MM)



PRO 22 SINK SPECIFICATIONS

HEIGHT: 37" (930MM)	LENGTH: 13.5" (340MM)
WEIGHT: 25 lbs (11.35kg)	WIDTH: 17" (430MM)

WILL FIT IN:
 TUFWAY: NO URINAL
 GLOBAL: NO URINAL
 AXXIS: WITH URINAL
 VANTAGE: WITH URINAL

WILL NOT FIT IN:
 MAXIM 3000 II
 ASPEN
 GLACIER II

PRO-12 & 22 IN-UNIT HANDWASH STATIONS

ITEM #	QPU	DESCRIPTION
PRO 12 HANDWASH STATION		
8592-605-99		PRO 12 HANDWASH STATION KIT (WITH HARDWARE & DECAL)
1140-699	1	SINK BRACKET FLOOR
1937-699	2	SCREW: PHILLIPS PAN HD 6X1/2 SS
1124-699	1	DECAL: NOT FOR DRINKING OR COOKING
22407	1	SCREW-1/4-20X1-1/2TRUSS
1940-699	1	SCREW: 1/4-20 X1" PHD PAN SS
1712-699	2	WASHER: FENDER 1/4 X 1 SS
1713-699	2	WASHER: 1/4" STAINLESS FLAT
1751-699	2	NUT: ACORN 1/4-20
1776-699	1	SPACER: NYLON 1/2" ODX 1/4" IDX3/4 L UPPER DOOR CLOSER
PRO 22 HANDWASH STATION		
8241-605-99		PRO 22 HANDWASH STATION KIT (WITH HARDWARE & DECAL)
1140-699	1	SINK BRACKET FLOOR
1937-699	2	SCREW: PHILLIPS PAN HD 6X1/2 SS
1124-699	1	DECAL: NOT FOR DRINKING OR COOKING
22407	1	SCREW-1/4-20X1-1/2TRUSS
1940-699	1	SCREW: 1/4-20 X1" PHD PAN SS
1712-699	2	WASHER: FENDER 1/4 X 1 SS
1713-699	2	WASHER: 1/4" STAINLESS FLAT
1751-699	2	NUT: ACORN 1/4-20
1776-699	1	SPACER: NYLON 1/2" ODX 1/4" IDX3/4 L UPPER DOOR CLOSER
8300-505		PRO 22 WITH PROMOUNT KIT
8301-799-K	1	PROMOUNT KIT, NO SINK
1140-699	1	SINK BRACKET FLOOR
1937-699	2	SCREW: PHILLIPS PAN HD 6X1/2 SS
1124-699	1	DECAL: NOT FOR DRINKING OR COOKING
8305-505		GAP COMPLIANT HANDWASH KIT WITH PRO 22
1936-699	2	SCREW: 1/4-20 X .5 PHILLIPS PAN HEAD SS WITH LOCK PATCH
1616-699	1	ELBOW, 3/4 MP X 1/2 BARBED WHITE NYLON
1751-699	2	NUT: ACORN 1/4-20
1940-699	2	SCREW: 1/4-20 X1" PHD PAN SS
1713-699	2	WASHER: 1/4" STAINLESS FLAT
1141-699	1	SINK BRACKET: FOR SINK BACK FOR VANTAGE INSTALLATION
1821-699	2	RIVET: TRI-CLAMP AL0625ATB (VANTAGE ASSEMBLY)
1138-599	1	SINK BRACKET: WALL MOUNT FOR VANTAGE UNIT
1712-699	2	WASHER: FENDER 1/4 X 1 SS
1707-699	2	WASHER: 1/4" STAR ZINC
1712-699	2	WASHER: FENDER 1/4 X 1 SS
1707-699	2	WASHER: 1/4" STAR ZINC
1712-699	2	WASHER: FENDER 1/4 X 1 SS
1707-699	2	WASHER: 1/4" STAR ZINC
1751-699	2	NUT: ACORN 1/4-20

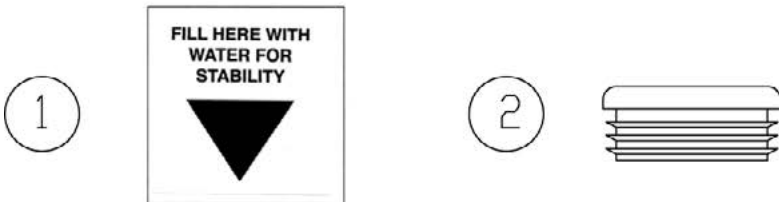
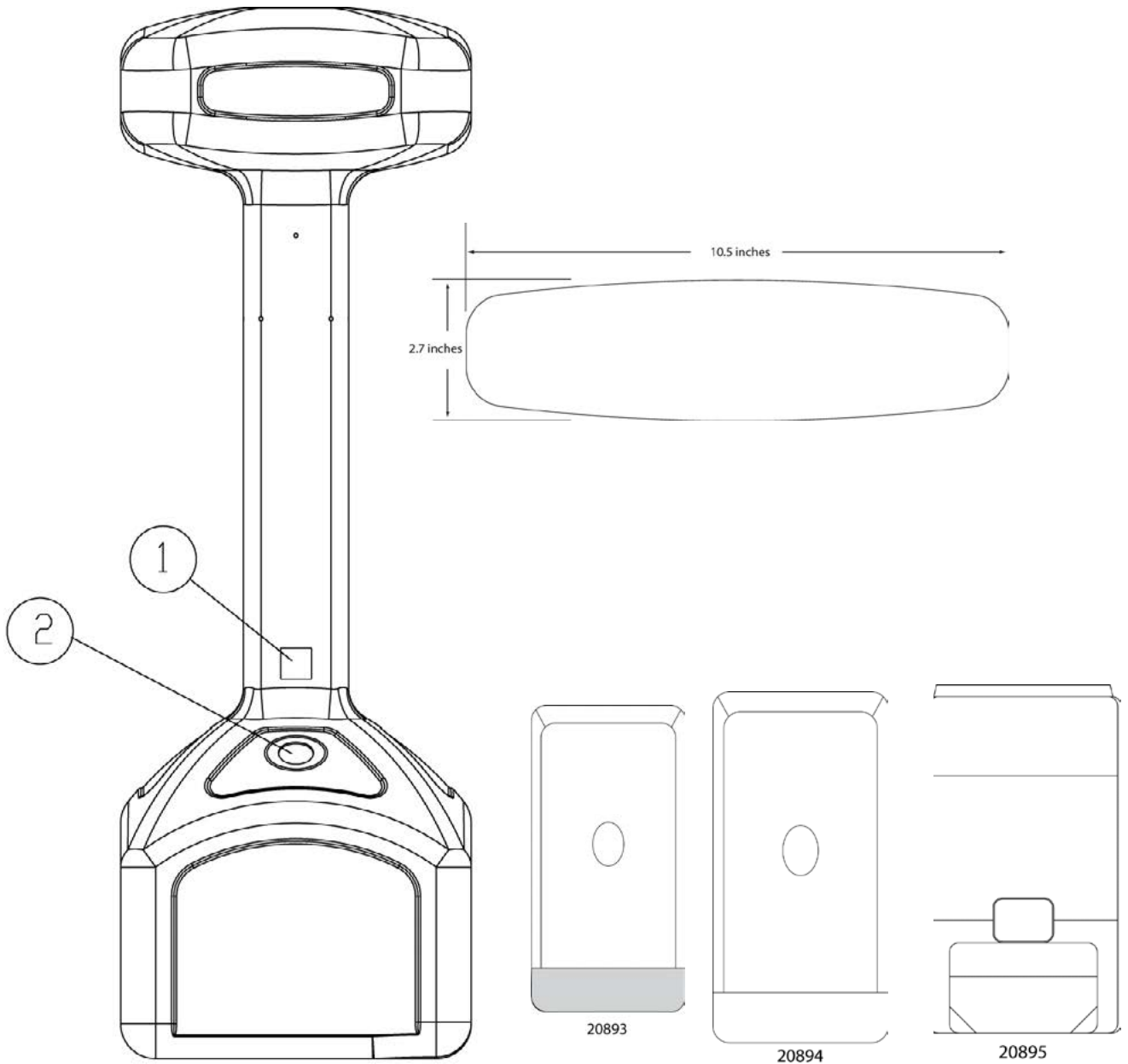
PRO-12 & 22 IN-UNIT HANDWASH STATIONS CONTINUED (AXXIS & VANTAGE)

ITEM #	QPU	DESCRIPTION
1328-699	1	BULK HEAD FITTING 3/4"
1119-699	1	DECAL: EMPLOYEES MUST WASH HANDS PRIOR TO RETURNING TO WORK
1302-505	1	BACKBOARD FOR PROMOUNT KIT
8150-605	1	TOWEL DISPENSER: GRAY INJECTION MOLDED
1038-699	1	PADLOCK WITH KEY
1033-699	1	MIRROR 6" X 8" STAINLESS STEEL
9851-699	1	DISPENSER: SPRAY SOAP - 400 ML BAG
9853-699	1	REFILL: ANTI-BACTERIAL SPRAY SOAP - 400 ML BAG
1937-699	12	SCREW: PHILLIPS PAN HD 6X1/2 SS
1713-699	2	WASHER: 1/4" STAINLESS FLAT
1751-699	2	NUT: ACORN 1/4-20
1946-699	2	SCREW: 1/4-20 X 1"SS PHILLIPS FLAT HEAD WITH LOCK PATCH
PUMPS & ACCESSORIES		
1005-699		TIP TOE PUMP FOR SUPERTWIN
1008-699		SERVICE KIT FOR WHALE BABY FOOT PUMP
20508		BLACK BOOT PUMP COVERING
1009-699		FLEX DRAW LATCH FOR SUPERTWIN
1028-599-99		TOWEL DISPENSER GRAY HINGE RETRO KIT
1028-699	1	HINGE, SS 9" X 1.5" X .050" MATERIAL (.125" DIA PIN, 1/2" CURL KNUCKLES, PIERCED)
1705-699	8	WASHER: ALUMINUM 3/16
1806-699	8	RIVET: AB64AV
1821-699	4	RIVET: TRI-CLAMP AL0625ATB (VANTAGE ASSEMBLY)
1101-699		PUMP- FOOT PUMP FOR HANDWASH STATION
1122-699		DECAL: FOOT PUMP
1124-699		DECAL: NOT FOR DRINKING OR COOKING
1606-699		PLUG: HAND WASH STATION - 1.25" (NO O-RING)
1608-602		CAP - 3" BLACK FOR TAGALONG / ULTRA
1613-699		CAP: 2" FRESH WATER FILL CAP / ST ULTRA
1630-699		PLUG: HAND WASH STATION - 1.25" (WITH O-RING)
1606-699	1	PLUG: BLACK HAND WASH STATION - 1.25" (NO O-RING)
1631-699	1	O-RING (FOR 1.25 INCH PLUG)
8005-603		TRASH CAN: BLUE FOR SUPERTWIN
8012-605		HANDS FREE BASIN ASSEMBLY 7"
8019-505		36" HANDS FREE AG BASIN ASSEMBLY
8150-605		TOWEL DISPENSER: GRAY INJECTION MOLDED
8151-600		TOWEL DISPENSER: WHITE / TAGALONG
8152-699		SINGLE-FOLD TOWEL (NATURAL) - 4,000 / CASE
8153-600-99H		TOWEL DISPENSER: WHITE-JUMBO COMPLETE (HANDWASH STATION INSTALLATION)
8153-600	1	TOWEL DISPENSER: WHITE - JUMBO
1808-699	3	RIVET: 688 TRI-BULB (COAT HOOK, MIRROR, SLIDE LATCH BRACKET)

PRO-12 & 22 IN-UNIT HANDWASH STATIONS CONTINUED (AXXIS & CANTAGE)

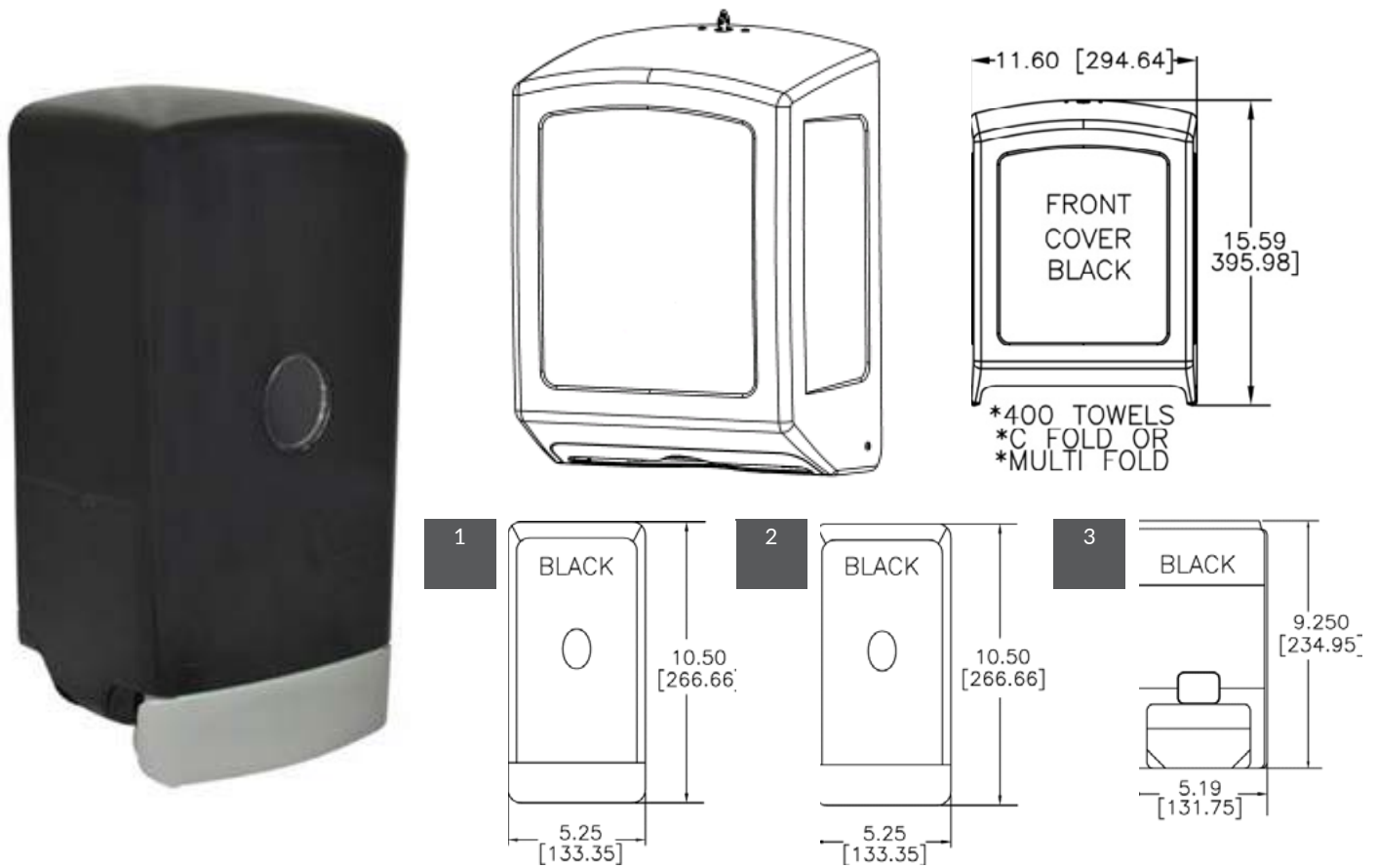
ITEM #	QPU	DESCRIPTION
1302-505		BACKBOARD FOR PROMOUNT KIT
8024-599		PLUG WRENCH SINK
1339-699		NYLON LOOP CLAMP 5/8" OUTSIDE DIAMETER, WHITE
8301-799-K		PROMOUNT KIT, NO SINK
1302-505	1	BACKBOARD FOR PROMOUNT KIT
8150-605	1	TOWEL DISPENSER: GRAY INJECTION MOLDED
1038-699	1	PADLOCK WITH KEY
1033-699	1	MIRROR 6" X 8" STAINLESS STEEL
9851-699	1	DISPENSER: SPRAY SOAP - 400 ML BAG
9852-699	1	REFILL: LOTION SPRAY SOAP - 400 ML BAG
1937-699	12	SCREW: PHILLIPS PAN HD 6X1/2 SS
1713-699	4	WASHER: 1/4" STAINLESS FLAT
1947-699	2	SCREW: PHILLIPS HEAD 1/4-20 X 1.25 SS
1751-699	4	NUT: ACORN 1/4-20
1946-699	2	SCREW: 1/4-20 X 1"SS PHILLIPS FLAT HEAD WITH LOCK PATCH

HANDISTAND



ITEM #	PART #	QPU	DESCRIPTION
	20847	NO DISPENSERS	HANDISTAND
	20893		KIT- 800ML DISPENSER (EA) BLACK
	20894		KIT- 1000ML DISPENSER (EA) BLACK
	20895		KIT- FOAM DISPENSER (EA) BLACK
	9801-699		DISPENSER 400ML
1	20889	1	DECAL- HANDISTAND STABILITY
2	21124	1	PLUG ASSY- 2in DOME WITH TETHER
	21083	4	DECAL- HANDISTAND

TOWEL DISPENSERS



SOAP & SANITIZER DISPENSERS

REV P ITEM #	PART #	QPU	DESCRIPTION
	21339	1	KIT- DISP P/TOWEL COMBO BLACK (5 PER CASE)
	18365	1	HDWE- PAPER TOWEL DISPENSER
1	20893	1	KIT- 800ML DISPENSER (EA) BLACK (12 PER CASE) (20890)
2	20894	1	KIT- 1000ML DISPENSER (EA) BLACK (12 PER CASE) (20981)
3	20895	1	KIT- FOAM DISPENSER (EA) BLACK (15 PER CASE) (20982)
	9801-699	1	DISPENSER 400ML
	18431	2 sink /1 unit	HDWE- SOAP/SANITIZER DISPENSER

SOAP & SANITIZER FOR DISPENSERS

USE WITH ITEM NUMBER	PART #	DESCRIPTION
1	19327	REFILL- H SANIT 800ML 12/C IPK (LIGHT GREEN)
1	19325	REFILL- SOAP 800ML 12/CS IPK (PINK)
2	19328	REFILL- H SANIT 1000ML 6/C IPK (LIGHT GREEN)
2	19326	REFILL- SOAP 1000ML 10/CS IPK (PINK)
3	18371	REFILL- FOAM SANIT 1L 8/CS (PURPLE)
3	18370	REFILL- FOAM SOAP 1L 6CS (LIGHT GREEN)
3	19009	REFILL- GEL ALCH SANI 1L 8/CS (GREEN)



FRESHNESS IN EVERY STRENGTH



Unique fragrances, advanced odor control and our performance guarantee are great reasons to use Safe-T-Fresh liquids and packets in your waste tank. Try our full line of cleaning products to keep equipment looking new and odor free!



'21 PARTS & PRICE GUIDE



SECTION 4

DEODORIZERS & CLEANERS

- Non Formaldehyde Based
- Non Staining Dye
- Portion Control
- Fragrance Boosters
- Cleaning Products
- Accessories
- Hand Care



LIQUID - NON FORMALDEHYDE BASED - NON STAINING DYE



BLUE WORKS 150 (1/2-1OZ PER SERVICE)

	FOM	HCIN	BGUM	F&C
1 GAL	9241-866-001	9241-810-001	9241-804-001	9241-817-001
5 GAL	9241-866-005	9241-810-005	9241-804-005	9241-817-005
55 GAL	9241-866-055	9241-810-055	9241-804-055	9241-817-055
275 GAL	9241-866-275	9241-810-275	9241-804-275	9241-817-275

BLUE WORKS 150 (1/2-1OZ PER SERVICE)

	CHRY	RAZZLE B	MULB
1 GAL	9241-808-001	9241-807-001	9241-823-001
5 GAL	9241-808-005	9241-807-005	9241-823-005
55 GAL	9241-808-055	9241-807-055	9241-823-055
275 GAL	9241-808-275	9241-807-275	9241-823-275

SUPER TURBO TUBE SOLUTION (FOR REFILLING EMPTY SUPER TUBE BOTTLES AND DIRECT APPLICATION ONLY - NOT DILUTIBLE)

	HCIN	BGUM	F&C	LEM TWIST	MULB	LAVN
1 GAL	9284-810-001	9284-804-001	9284-804-001	9284-820-001	9284-823-001	9284-819-001
5 GAL	9284-810-005	9341-804-005	9284-804-005		9284-823-005	9284-819-005
55 GAL	9284-810-055	9284-804-055	9284-804-055	33865	9284-823-055	9284-819-055
275 GAL	33882	33878	33878	33866	9284-823-055	9341-817-275

RAZZEL B

1 GAL	9284-807-001
5 GAL	9284-807-005
55 GAL	9284-807-055
275 GAL	9284-807-055

SUPER TURBO TUBES (6 BOTTLES PER CASE) 300 TO 600 SERVICES PER CASE

	HCIN	BGUM	F&C	LEM TWIST	MULB	LAVN
1 LT BOTTLE	9285-810-01	9285-801-01	9285-817-01	9285-820-01	9285-823-01	9285-819-01
CASE	9285-810-03	9285-801-03	9258-817-03	9258-820-03	9258-823-03	9285-819-03

RAZZEL B

1 LT BOTTLE	9285-801-01
CASE	9285-807-03

LIQUID - NON FORMALDEHYDE BASED - NON STAINING DYE

STF 6K (15-30ML PER SERVICE)

	HCIN	BGUM	F&C - SOLD only in the US	CHRY	LEM	RZB	MULB	LAVN
1 GAL	32767	32869	33794	32708	32802	33814	32701	32463
6 GAL	32768	32870	33795	32709	32803	33815	32702	32464
55 GAL	32769	32871	33796	32711	32804	33816	32704	32465
275 GAL	32770	32872	33797	32712	32805	33817	32705	32466

STF 5K (30-60ML PER SERVICE)

	HCIN	BGUM	F&C	CHRY	LEM	RZB	MULB	LAVN
1 GAL	33790 <i>only US</i>	32863	33799	32675	32797	33819	32669	32471
6 GAL	33791	32864	33800	32676	32798	33820	32670	32472
55 GAL	32766	32865	33801	32677	32799	33821	32671	32473
275 GAL	33418 <i>only US</i>	32866	33802	32678	32800	33822	32672	32474

STF 4K (30-90ML PER SERVICE)

	HCIN	BGUM	F&C	CHRY	LEM	RZB	LAVN	MULB
1 GAL	33789 <i>only US</i>	32858	33809	32645	32792	33824	32475	32639
6 GAL	32764	32859	33810	32646	32793	33825	32476	32640
55 GAL	33263 <i>only US</i>	32860	33811	32647	32794	33826	32477	32641
275 GAL	32765	32861	33812	32648	32795	33827	32478	32642

STF 3K (60-120ML PER SERVICE)

	HCIN	BGUM	F&C	CHRY	LEM	RZB	MULB	LAVN
1 GAL	33787 <i>only US</i>	32852	33804	32605	32787	33829	32621	32479
6 GAL	33788 <i>only US</i>	32853	32605	32606	32788	33830	32622	32480
55 GAL	32762	32854	33806	32607	32789	33831	32623	32481
275 GAL	32763	32855	33807	32608	32790	33832	32624	32482

STF BIO 5000 (90-150ML PER SERVICE)

BGUM

1 GAL	31340
6 GAL	31341
55 GAL	31342

STF BIO 3000 (120ML PER SERVICE)

BGUM

1 GAL	31336 <i>only US</i>
6 GAL	31337 <i>only US</i>
55 GAL	31338

PORTION CONTROL

QUICKBLUE WINTER/EVENT PACKETS (85 PER BAG/255 PER CASE) (1 PACKET PER SERVICE)

	BGUM
BAG	33783
CASE	32339

QUICKSCENT EVENT PACKETS (85PER BAG/255 PER CASE) (1 PACKET PER SERVICE)

	BGUM	MULB	COCO CRM
BAG only US	33784	33785	33868
CASE	33517	33520 only US	33690 only US

QUICKSCENT REGULAR PACKETS (85 PER BAG/255 PER CASE) (1 PACKET PER SERVICE)

	BGUM	MULB	COCO CRM
BAG only US	33729	33730	33869
CASE	33518	33521	33692

QUICKSCENTS PLUS PACKETS (85 PER BAG/255 PER CASE) (1 PACKET PER SERVICE)

	BGUM	MULB	COCO CRM
BAG	33732	33733 only US	33870 only US
CASE	33519	33522	33694

TURBO DRIPAX 2ND GEAR PACKETS (85 PER BAG/510 PER CASE) (1 PACKET PER SERVICE)

	FOM	F&C	MULB
BAG only US	9272-866-03	9272-817-02	9272-823-02
CASE only US	9272-866-03	9272-818-03	9272-823-03

TURBO DRIPAX 3ND GEAR PACKETS (70 PER BAG/420 PER CASE) (1 PACKET PER SERVICE)

	FOM	F&C	MULB
BAG only US	9273-866-03	9273-817-02	9273-823-02
CASE	9273-866-03	9273-818-03 only US	9273-823-03 only US

QUICKSCENTS BIO PACKETS 60 GRAM (40 PER BAG/ 200 PER CASE) (1 PACKET PER SERVICE)

	BGUM
BAG	19249
CASE	19190

QUICKSCENTS BIO PACKETS 30 GRAM (80 PER BAG/400 PER CASE) (1 PACKET PER SERVICE)

	BGUM
BAG	30931
CASE	20758

FRAGRANCE BOOSTERS

AIR FRESHNER SCENT DISKS 4.5gr (100 per Bag/300 per Case) (1 disc per service)

	HCIN	BGUM	F&C	CHRY	LEM TWIST
BAG 100 only US	9011-810-810	33907	9011-817-100	9011-808-100	9011-820-100
CASE 300 only US	33916	33908	33912	33932	9011-820-300
PAIL 750 only US	9011-810-750	9011-804-750	9011-817-750	9011-808-750	9011-820-750

AIR FRESHNER SCENT DISKS 4.5GR (100 PER BAG/300 PER CASE) (1 DISC PER SERVICE)

	RZB	LAVN	MULB	COCRM
BAG 100 only US	9011-807-100	9011-819-100	33780	33778
CASE 300 only US	33940	33928	33781	33924
PAIL 750 only US	9011-807-750	9011-918-750	33782	33779

CABANA SPRAY (15ML PER SERVICE)

	HCIN	BGUM	F&C only US	CHRY	LEM
32 OZ	31470	31467	33738	31465	31466
1 GAL	18162 only US	17194	33739	17178	17186
6 GAL	18163	17196	33740	17180	17188
55 GAL	18164 only US	17198	33741	17182	17190
275 GAL	33753 only US	33749 only US	33742	32394 only US	33756 only US

CABANA SPRAY (15ML PER SERVICE)

	RZB	LAVN	MULB	COCRM
32 OZ	33744	32489	31468	33750
1 GAL	33745	32490 only US	17202	33751
6 GAL	33746	32491	17204	33696
55 GAL	33747	32492	17206	33697
275 GAL	33748	33754 only US	33226 only US	33752

NON PARA URINAL BLOCKS 90ML (24 PER BAG/ 144 PER CASE) (1 BLOCK PER SERVICE)

	FFLO
BAG only US	31573
CASE only US	31574

PARA URINAL BLOCKS 120ML (144 PER CASE) (1 BLOCK PER SERVICE)

	CHRY
CASE only US	17306

LEMON URINAL BLOCK (320/CASE)

CASE	32210
-------------	-------

URINAL SCREENS (12 PER PACK/72 PER CASE) (1 SCREEN PER SERVICE)

	LAV	HCIN	SV	MTBZ
BOX	33877	32384 only US	32355	32384 only US
CASE	33626 only US	33625 only US	32227	32383 only US

CLEANING PRODUCTS

URINAL CLEANER/INDUSTRIAL DEGREASER (NON ACID BASED)

PART

32 OZ 31144

1 GAL 16356

6 GAL 16357

55 GAL 16970 *only US*

275 GAL 32358 *only US*

ALL PURPOSE CLEANER/DEGREASER

PART

32 OZ 33429 *only US*

1 GAL 33423

6 GAL 33424

55 GAL 33425 *only US*

275 GAL 33426 *only US*

TRUCK WASHDOWN (DILUTE 8 OZ : 55 GAL)

	HCIN	BGM	F&C	CHRY	LEM	LAVN	MULB
32 OZ	33775 <i>only US</i>	33763 <i>only US</i>	33758 <i>only US</i>	33764 <i>only US</i>	33764 <i>only US</i>	33765 <i>only US</i>	33767 <i>only US</i>
1 GAL	33776 <i>only US</i>	30870 <i>only US</i>	33759 <i>only US</i>	30873 <i>only US</i>	33771 <i>only US</i>	32560	30876
6 GAL	30868 <i>only US</i>	30871	33760	30874	33772 <i>only US</i>	32561	30877 <i>only US</i>
55 GAL	30869 <i>only US</i>	30872 <i>only US</i>	33761 <i>only US</i>	30875 <i>only US</i>	33773 <i>only US</i>	32562	30878 <i>only US</i>
275 GAL	33777 <i>only US</i>	33168 <i>only US</i>	33762 <i>only US</i>	33833 <i>only US</i>	33774 <i>only US</i>	33766 <i>only US</i>	33768 <i>only US</i>

SPONGE

SPONGE 30914

GRAFFIX LIQUID GRAFFITI REMOVER (layer surface) (32oz 12 per box) (1 gal 4 per box)

PART

32 OZ 31392

1 GAL 31368

6 GAL 31369

55 GAL 31370 *only US*

QUICK FIX GRAFFITI REMOVER (SOLVENT) (32oz 12 per box) (1 gal 4 per box)

PART

32 OZ 33545

1 GAL 33867 *only US*

6 GAL 33546

55 GAL 33533 *only US*

ACCESSORIES

STANDARD DISPENSERS (SERVICE PORTIONS: 1GAL=1OZ)

SPRAYER	31294	(CABANA SPRAY & URINAL CLEANER)
32 OZ	30772	SQUEEZE & POUR ^(1/2 OR 1OZ MEASUREMENTS) ***NEED TO ADD 30178
32 OZ CAP	30178	CAP- FOIL H/SEAL CRC 28/400
1 GAL	16366	DISPENSER PUMP- 1 GAL JUG

HEAVY DUTY DISPENSERS (SERVICE PORTIONS: 55GAL=15OZ)

	PART #	
SPRAYER	17754	SPRAYER- CHEM RESISTANT GREEN
55 GAL	31998	PUMP- HEAVY DUTY STAINLESS 55G

CONTAINERS

	PART #	
32 OZ	30405	NEED TO ADD 31294 (CABANA SPRAY & URINAL CLEANER) OR 17754 (DELIMER & GRAFFIX)
1 GAL	30151	NEED TO ADD 30152 TO ANY ORDER OF THIS PRODUCT
1 GAL CAP	30152	CAP- 1 GALLON ROUND NATURAL
SUPER TUBE	9927-699	
SUPER TUBE CAP	9913-699	
6 GAL	31497	NEED TO ADD 31423 TO ANY ORDER OF THIS PRODUCT

SPIGOTS

	PART #	
3/4"	17225	
2"	17752	
3/4" POLY	9952-699	

TOOLS

	PART #	
EACH	17755	LONG HANDLE GONG BRUSH
EACH	17753	DRUM KEY
EACH	20610	55 GAL BUNG ADAPTER

HAND CARE

SOAP

(SERVICE PER REFILL: 800ML=480 1000ML=600 1L=1600) (REFILLS PER CASE: 800ML=12 1000ML=10 1L=6)

	PART #	
800ML	19325	WHITE- LONG SKINNY NIPPLE
1000ML	19326	WHITE- SHORT FAT NIPPLE
1L	33652	BLUE

SANITIZER

(SERVICE PER REFILL: 800ML=480 1000ML=600 1L=1600) (REFILLS PER CASE: 800ML=12 1000ML=6 1L=6)

	PART #	
800ML	19327	GREEN- LONG SKINNY NIPPLE
1000ML	19328	GREEN- SHORT FAT NIPPLE
1L	33653	PURPLE 6 PER CSAE
1L ALCOHOL	19009	GREEN

DISPENSER KITS WITH HARDWARE

	800ML	1000ML	1L
EACH	20890	20891	20892 (BLACK) or 23613 (WHITE)

DISPENSER NIPPLES

	800ML	1000ML	1L
EACH	20893	20894	20895

PAPER TOWEL DISPENSER

8150-605 PAPER TOWEL DISPENSER

REFILL CARTRIDGES

	PART #	
6 x 1L	21087	Refill cartridges Hand Sanitizer
6 x 1L	21086	Refill cartridges Soap - foam

BULK SOAP

	PART #	
10 L	34030	PINK
55 GAL	30335	PINK
275 GAL	32487	PINK

BULK DISPENSER

	PART #	
	34037	Bulk soap/hand sanitizer dispenser

BULK HAND SANITIZER

	PART #	
5L	34044	HS gel, 65% alcohol
5L	34046	HS fluid, 80% alcohol
20L	34043	HS gel, 65% alcohol
20L	34045	HS fluid, 80% alcohol
200L		HS gel, 65% alcohol
200L	34076	HS fluid, 80% alcohol
1000L		HS gel, 65% alcohol
1000L		HS fluid, 80% alcohol
	31433	container 20L with cap
	30405	empty 1L spray bottle
	17754	sprayer for 1L spray bottles

HAND CARE

DEB DISPENSER FOR SANITIZER AND SPRAY SOAP (400 ML CAPACITY)

PART

DISPENSER	9801-699
DISP. REPLACEMENT PUMP	9810-699
DISP HDWR KIT	9801-399

STOKO MOISTURIZING SPRAY SOAP REFILL (400 ML EA. / 12 PER CASE) WITH 2,000 USES PER REFILL

PART

REFILL	9803-699
--------	----------

STOKO INSTANT HAND SANITIZER REFILL (400 ML EA. / 12 PER CASE) WITH 2,000 USES PER REFILL

PART

REFILL	9802-699
--------	----------

STOKO TOILET SEAT SANITIZER REFILL (400 ML EA. / 12 PER CASE) WITH 2,000 USES PER REFILL

PART

REFILL	9805-699
--------	----------

GOJO HAND SANITIZER

PART

PURELL NXT DISPENSER - (1000 ML CAPACITY / 6 PER CASE)	9057-699
PURELL NXT REFILL - (1000 ML / 8 PER CASE)	9063-699

PATHFINDER SOLUTION BABY POWER FRESH

PART

6 GAL	33718
55 GAL	33719

EXHAUST VAPORIZER SCENT

MULB

32 OZ	20996
1 GAL	20543
6 GAL	20544

PUMP OIL ADDITIVE (MIX 120ML TO 3,8L)

	CHRY	MULB	HCIN	BGUM
32 OZ	30774	33873	33874	33872
1 GAL	30547	31960	31269	30546
6 GAL	31628	31135	33876	33875

FRAGRANCE BOOST

	BGUM	CHRY	LAVN	MULB	LEM TWIST	COCO	HCIN
32 OZ	30856	30969	33222	21116	30673	33474	31136

NON STAINING DIE

	BGUM
2 LB	30915



EXTRAVAGANCE FOR EVERY SITUATION

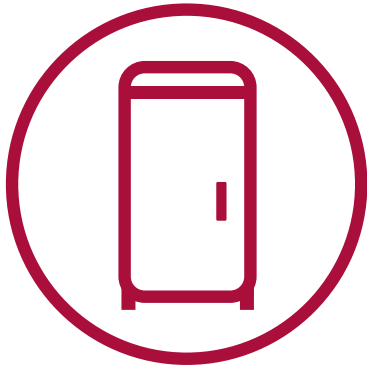


Satellite Suites pushes the limits of innovation and technology in the portable restroom trailer industry. Not only do the patented, all water-proof materials set our products apart, Satellite Suites is proud to offer unparalleled customer service, and the strongest warranties in the industry. Luxurious, but tough enough for every situation.

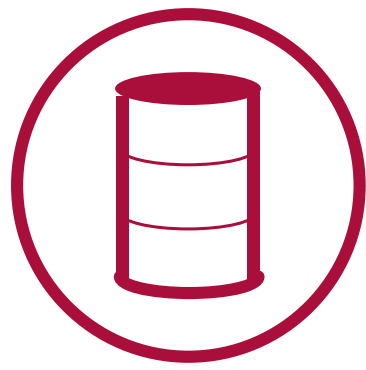
Satellite Suites

NEW ONLINE STORE & PAYMENT PORTAL

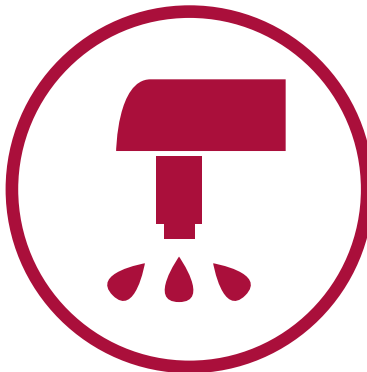
THERE JUST AREN'T ENOUGH HOURS IN THE DAY! FORTUNATELY, YOU CAN PURCHASE ALL OF THE EQUIPMENT YOU NEED, 24 HOURS A DAY.



TOILETS



DEODORIZERS



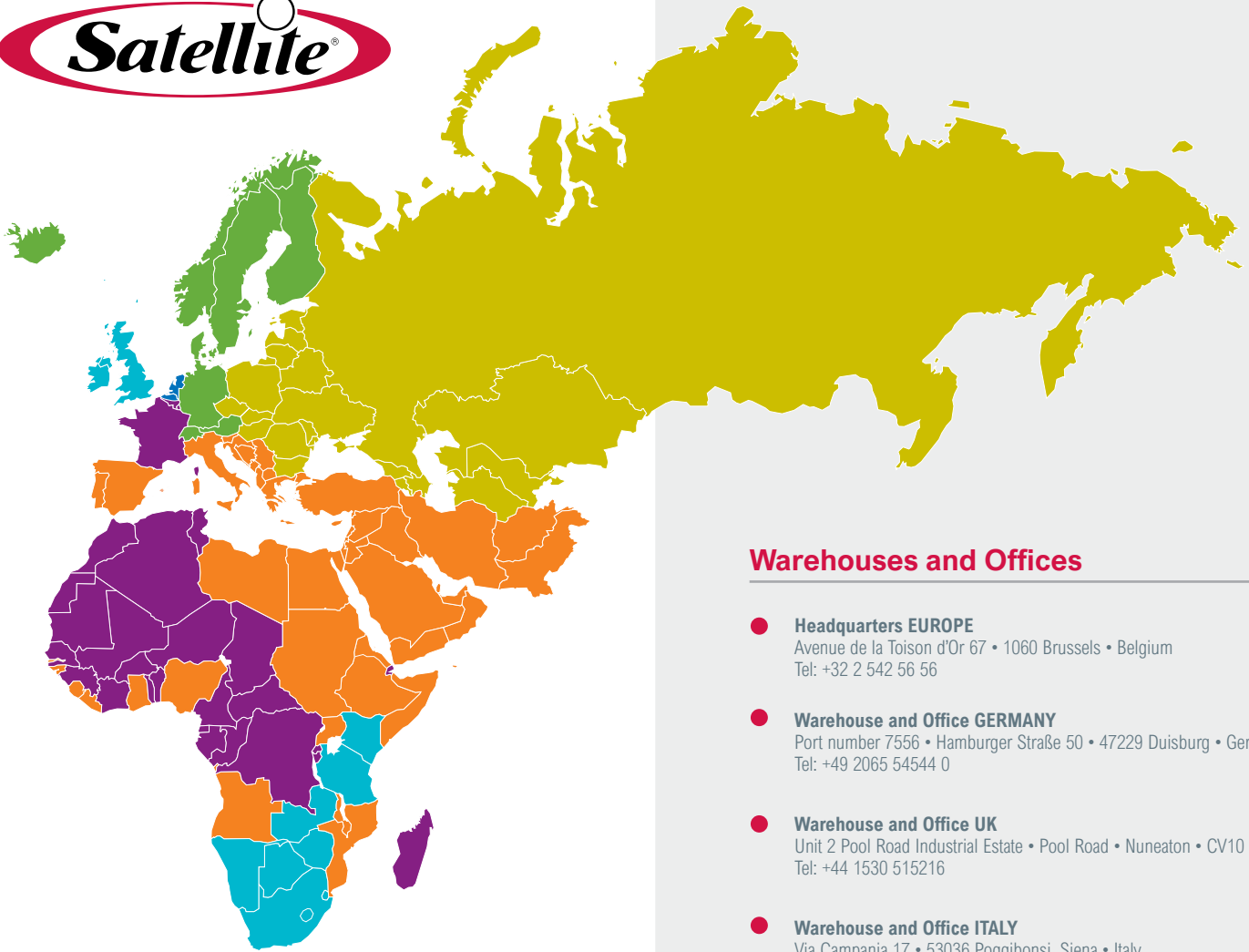
HANDWASH



URINAL

CONTACT YOUR CUSTOMER SERVICE REPRESENTATIVE
TO SET UP YOUR ACCOUNT TODAY

PARTSEU.SATELLITEINDUSTRIES.COM



www.sanitrax.com

Warehouses and Offices

- **Headquarters EUROPE**
Avenue de la Toison d'Or 67 • 1060 Brussels • Belgium
Tel: +32 2 542 56 56
- **Warehouse and Office GERMANY**
Port number 7556 • Hamburger Straße 50 • 47229 Duisburg • Germany
Tel: +49 2065 54544 0
- **Warehouse and Office UK**
Unit 2 Pool Road Industrial Estate • Pool Road • Nuneaton • CV10 9AE • UK
Tel: +44 1530 515216
- **Warehouse and Office ITALY**
Via Campania 17 • 53036 Poggibonsi, Siena • Italy
Tel: +39 346 5067830 • +39 392 1528830
- **Warehouse and Office POLAND**
Wojciecha z Brudzewa 38 • 62-800 Kalisz • Poland
Tel: +48 692 492 746
- **Office THE NEDERLANDS**
De Giessen 3 • 8253 PR Dronten • Nederland
Tel: +31 321 725190

Follow us on social media

- | | | | |
|---|--|---|---|
|  | /satelliteindustries |  | @satindustries |
|  | Satellite Industries EMEA |  | Satelliteind |

www.satelliteindustries.co.uk
www.satelliteindustries.co.za
www.satelliteindustries.ae

info@satelliteindustries.com

Active member of the following associations:



Germany • Austria • Switzerland • Scandinavia



Wolfgang Gran
AREA MANAGER

EMAIL: WolfgangG@satelliteindustries.com
TEL: +49 173 731 16 24



Nicole Countryman
DEODORIZER SPECIALIST

EMAIL: NicoleC@satelliteindustries.com
TEL: +49 172 16 93 949



Stephan Kloke
CUSTOMER SERVICE

EMAIL: StephanK@satelliteindustries.com
TEL: +49 2065 54 544 20



Michael Gettkant
SALES AGENT

EMAIL: MichaelG@satelliteindustries.com
TEL: +49 172 4173948

Dutch-speaking territories



Jeroen Bartels
CUSTOMER SERVICE & SALES AGENT

E-MAIL: JeroenB@satelliteindustries.com
TEL: +31 3 21 72 51 92
+32 4 74 86 00 38

Poland • Eastern Europe • Russia



Gregor Rudowicz
AREA MANAGER

EMAIL: GregorR@satelliteindustries.com
TEL: +48 602 439 659



Ewa Naskrecka
CUSTOMER SERVICE LEADV

EMAIL: EwaN@satelliteindustries.com
TEL: +48 692 492 74



Julia Rudowicz
DEODORIZER LEAD

EMAIL: JuliaR@satelliteindustries.com
TEL: +48 603 680 610

Southern Europe • Middle East • Africa



Silvia Cassarà
SALES MANAGER EMEA

EMAIL: SilviaC@satelliteindustries.com
TEL: +39 346 506 7830



Elena Strambi
CUSTOMER SERVICE

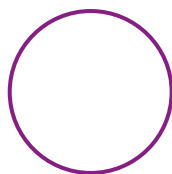
EMAIL: ElenaS@satelliteindustries.com
TEL: +39 392 152 8820



Virginia Morandi
DEODORIZER SPECIALIST

EMAIL: VirginiaM@satelliteindustries.com
TEL: +39 345 780 9370

French-speaking territories: Europe • Africa



**Area manager &
Deodorizer specialist**

TEL: +32 2 542 56 56



Nur Batur
CUSTOMER SERVICE

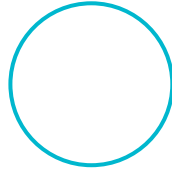
EMAIL: NurB@satelliteindustries.com
TEL: +32 2 542 56 54

United Kingdom • Ireland • Southern Africa



Andy Cartwright
AREA MANAGER

EMAIL: AndyC@satelliteindustries.com
TEL: +44 7891 232512 (UK)
+27 87 551 0863 (ZA)



Lauren Milner
CUSTOMER SERVICE

EMAIL: LaurenM@satelliteindustries.com
TEL: +44 1530 515216



Amanda Cowling
DEODORIZER SPECIALIST

EMAIL: ACowling@satelliteindustries.com
TEL: +44 4750 96202

ONLINE ORDERS

parts-eu.satelliteindustries.com

CUSTOMER SERVICE

info@satelliteindustries.com

Headquarters: +32 2 542 56 56

Germany: +49 2065 54544 0

The Netherlands: +31 321 725190

Italy: +39 392 152 8820

Poland: +48 62 760 3870

UK: +44 1530 515216

