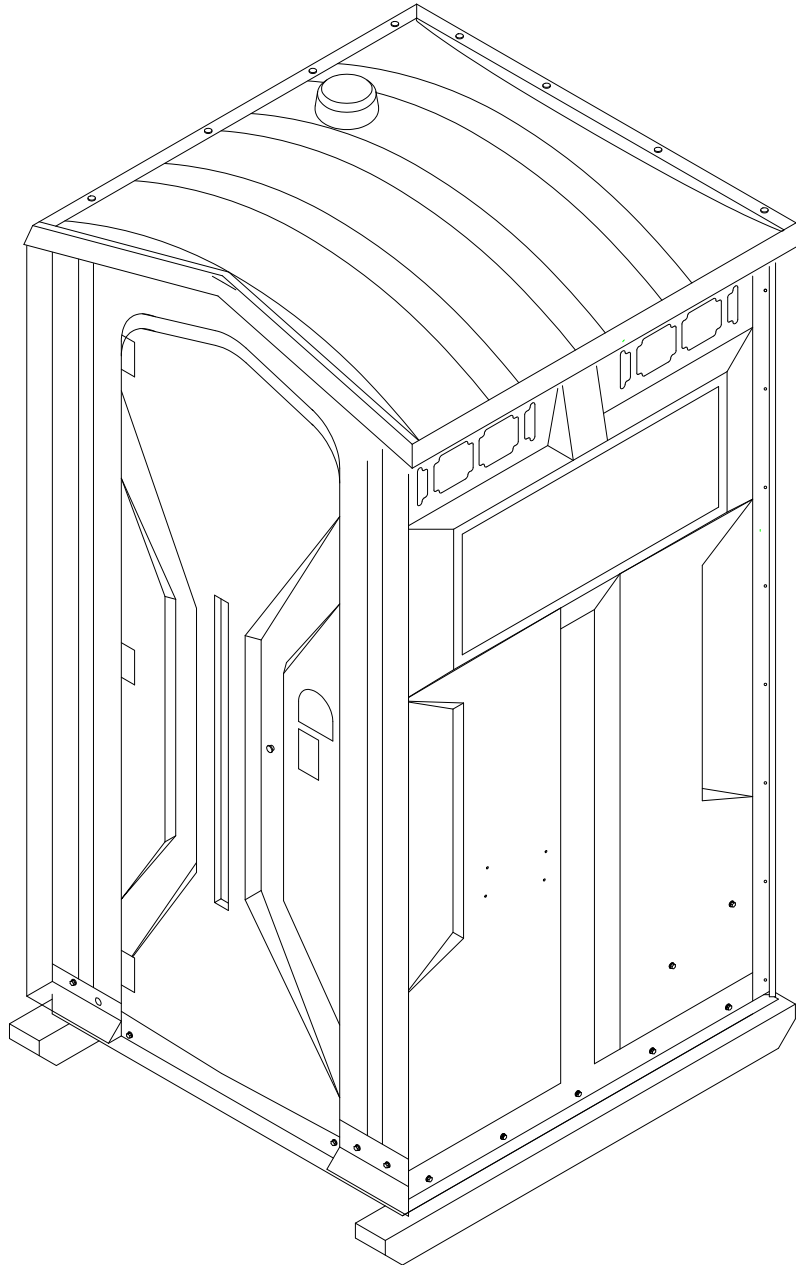


# TUFWAY®

## Portable Restroom Assembly Instructions WITH TUFWAY EASTERN

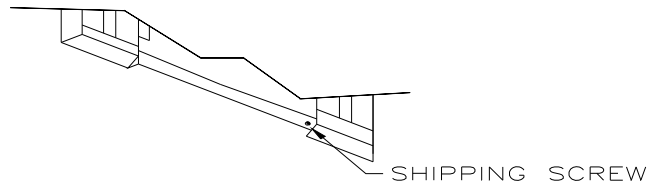


2530 Xenium Lane North, Minneapolis, MN 55441  
Telephone: 763-553-1900 / Fax: 763-553-1905  
800-328-3332/ [www.satelliteindustries.com](http://www.satelliteindustries.com)

# INTRODUCTION

These Assembly Instructions cover the Tufway portable restroom. Satellite portable restrooms must be assembled according to approved assembly procedures. Avoid variations in assembly which could adversely affect product life.

**IMPORTANT:** *Do not remove shipping screw from door until instructed to in the “Install the Front Assembly” step.*



- The assembly procedures are written for assembly of single units. If assembling multiple units, considerable efficiency can be gained by having a crew working in assembly line fashion.

## TOOLS

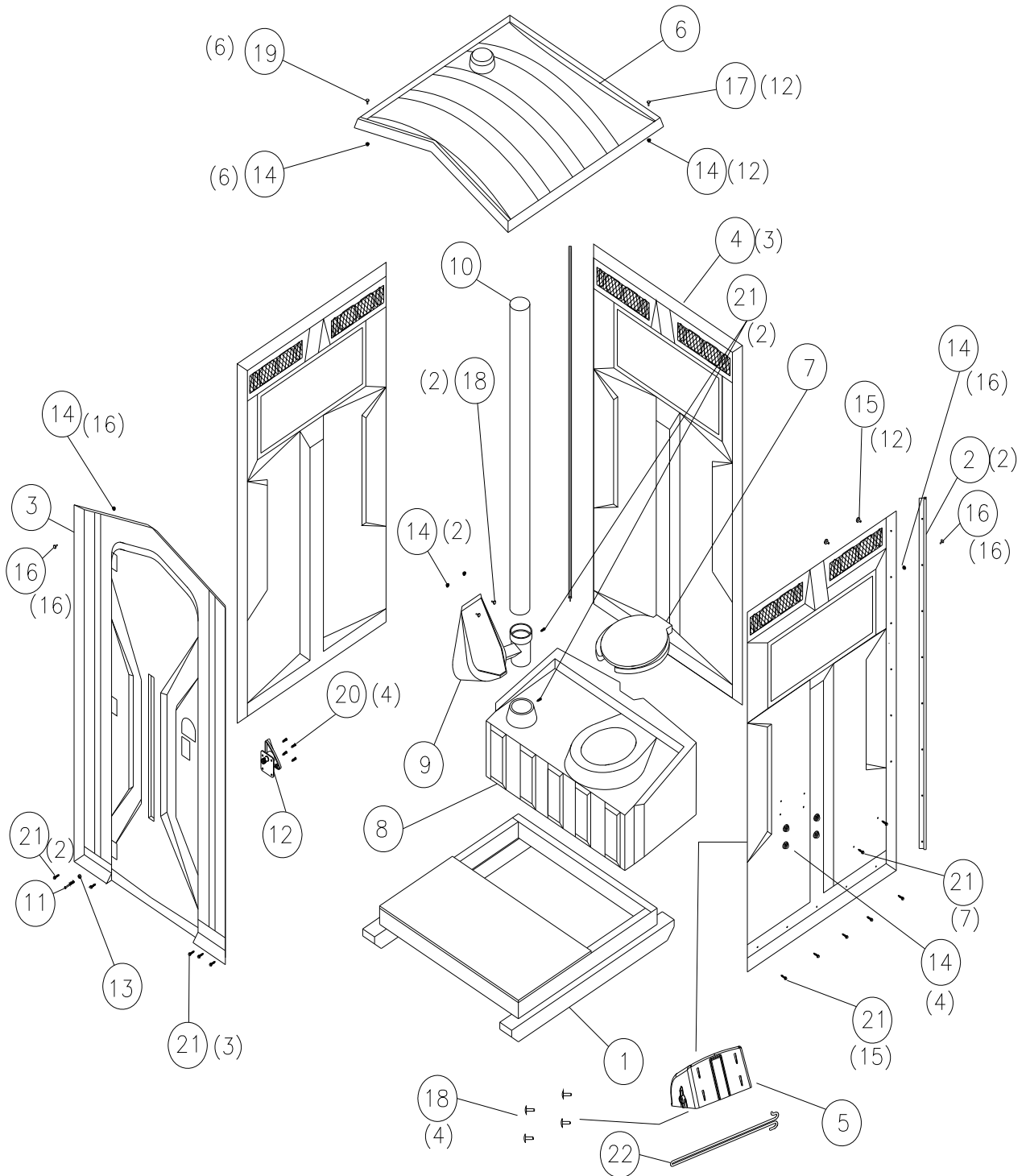
1. C-CLAMP (SATELLITE PN 11593)
2. DRILL ELEC/CORDLESS
3. 3/8 NUT DRIVER BIT
4. 1/4 DRILL BIT
5. HAMMER
6. BLOCK OF WOOD 2X1-1/2 X 6
7. HAND RIVETING TOOL (SATELLITE PN 15814)
8. DEBURRING TOOL
9. #2 PHILLIPS SCREWDRIVER OR BIT
10. 5/16 DRILL BIT
11. APRONS (CARPENTERS)
12. 1/2 WRENCH OR SOCKET AND RACHET SET

## HELPFUL HINTS

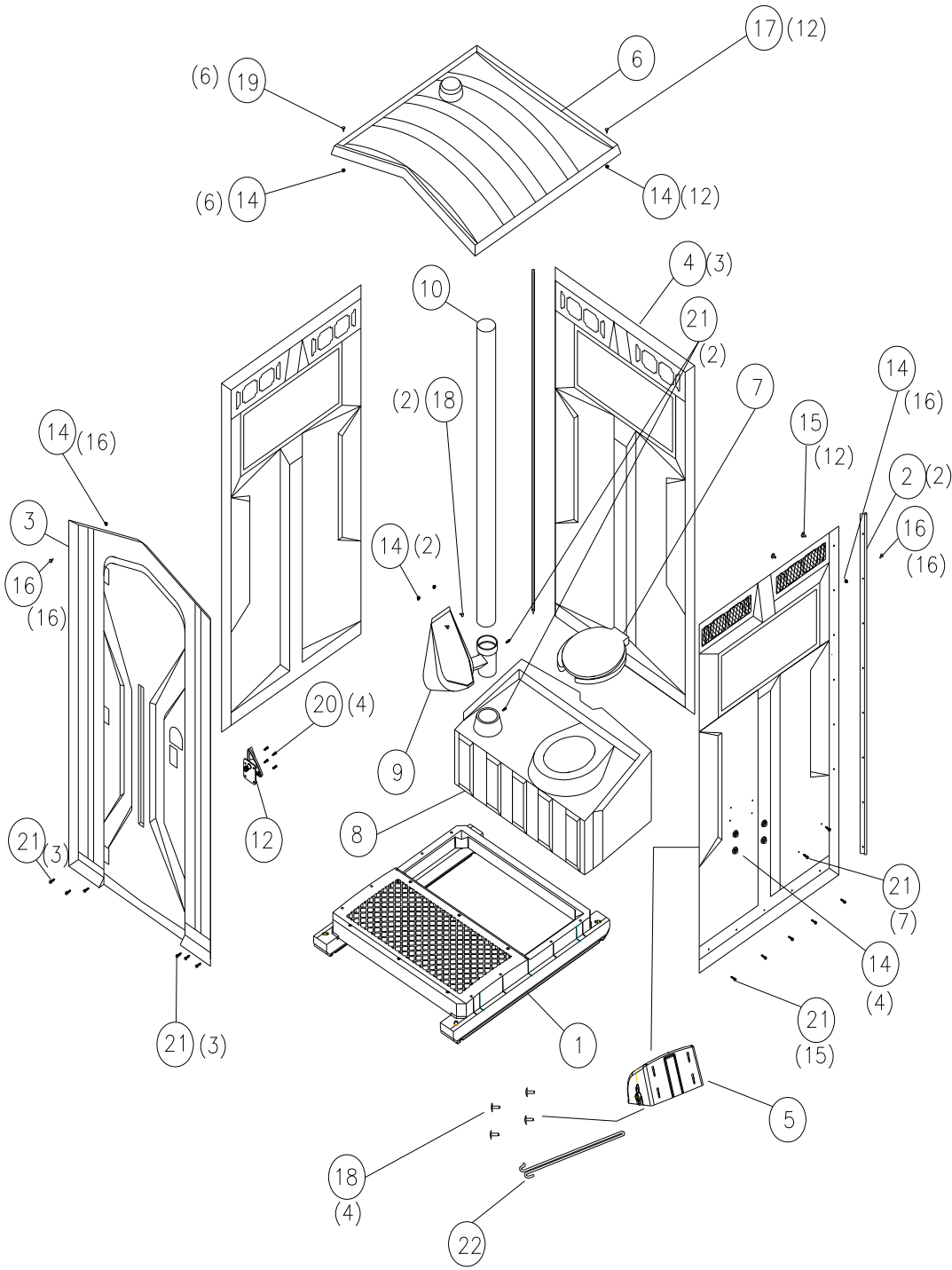
- Keep panels out of direct sunlight
- Have an apron with at least two large pockets, easy to get parts out of
- Don't open up all your kit boxes. Open up only enough kit boxes to assemble the number of toilets you are currently working on. **KEEP PARTS ORGANIZED.**
- Use toilet paper holders for parts bins on multiple unit assembly
- The door latch can be put on at any time. It may be more efficient to have someone do this early on multiple unit assembly.

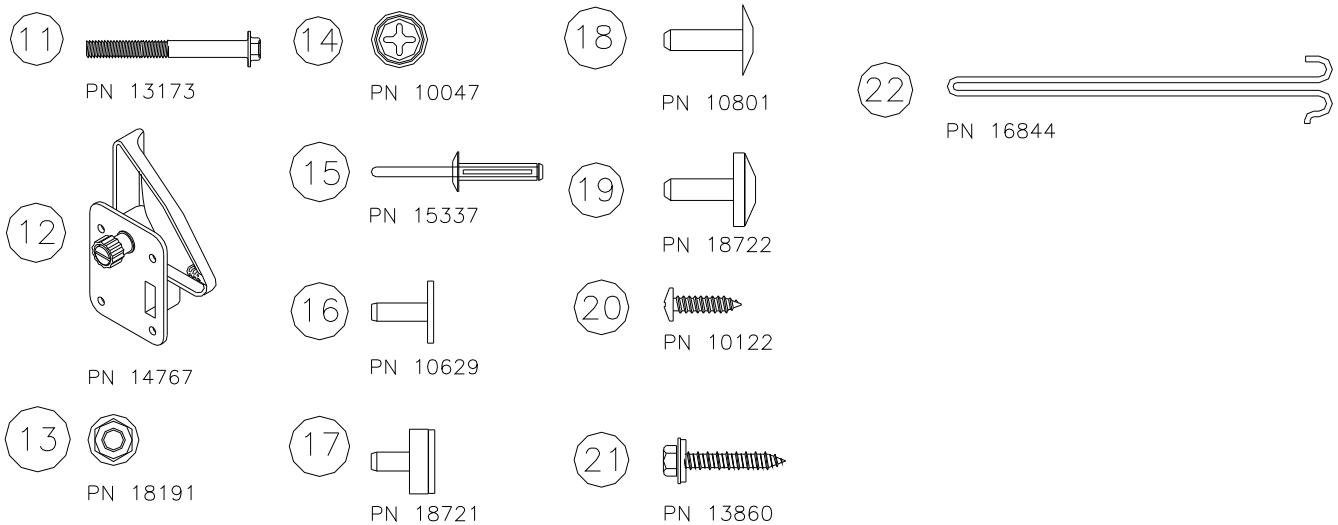
# EXPLODED UNIT ASSEMBLY DRAWING

## ROTOMOLDED BASE & RECYCLED PLASTIC BASE



# DIRT BUSTER BASE





## PARTS LIST

### HDWE, TUFWAY (#15567)

22	16844	1	SPINDLE, PAPERGUARD II
21	13860	29	SCREW, #14 X 1-1/2 W/WSH GOLD
20	10122	4	SCREW, #10 X 3/4 PHPN TAP PLTD
19	18722	6	RIVET, SOLID LONG DOME W/WSHR
18	10801	6	RIVET, SOLID LONG (DOME)
17	18721	12	RIVET, SOLID SHORT FLAT W/WSHR
16	10629	32	RIVET, SOLID SHORT (FLAT)
15	15337	12	RIVET, .195 PLASTIC EXPANDING
14	10047	56	PUSH CAP, 3/16 ID
13	18191	1	NUT, 5/16 SERRATED FLANGE
12	14767	1	LATCH, RESTROOM PLASTIC
11	13173	1	BOLT, 5/16 X 3in HWHD

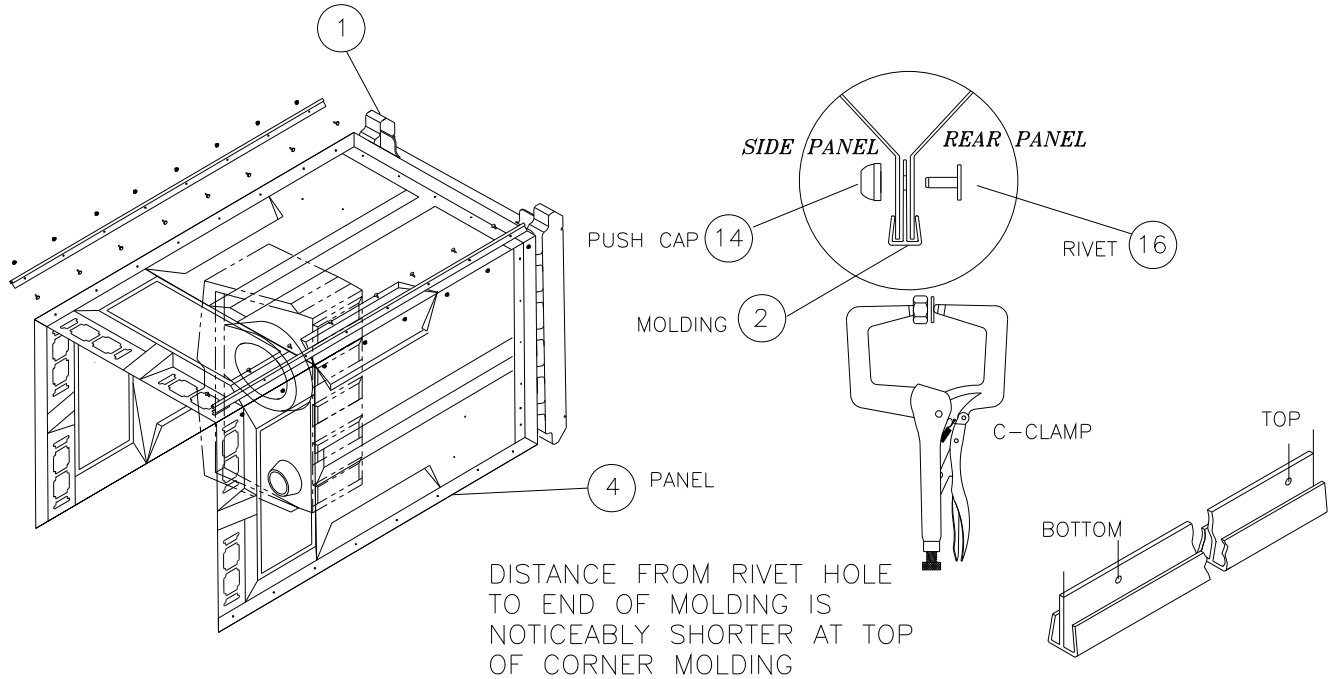
### STANDARD TUFWAY PARTS

10	14133	1	VENT PIPE, 4 X 62-1/2 GREY
9	14119	1	URINAL, STANDOVER DGRY
8	10553	1	TANK, TUFWAY DGRY
7	10570	1	SEAT, TOILET TUF/FRE/LIB BLACK
6	16045	1	ROOF, TUFWAY DOME
5	17082	1	HOOD, PAPERGUARD II GREY
	15567	1	HDWE, TUFWAY
4	15450	3	DESIGN, TUFWAY PANEL
3	15562	1	DESIGN, TUFWAY FRONT ASSY (STD OPTION)
2	16050	2	CORNER MOLDING II, BLACK PUNCH
1	15852	1	BASE, TUFWAY/MX2 RECYCLED PLST
	19014	1	BASE, TUFWAY ROTOMOLDED
	40014	1	BASE, GB DIRT BUSTER

## DIRECTIONS

### 1. JOIN PANELS TOGETHER WITH CORNER MOLDING

SET REAR PANEL ON A BOX AT LEAST 40" HIGH BUT NOT WIDER THAN 41". IF ASSEMBLING SINGLE UNITS, THE WASTE TANK WILL DO. ASSEMBLE ALL PUSH CAPS TO RIVETS BY HAND THAN CLAMP USING THE C-CLAMP TOOL, MAKE SURE ALL RIVETS AND PUSH CAPS ON BOTH PANELS ARE CLAMPED TIGHT.



### 2. ATTACH BASE TO PANELS

TIP BASE UP AND POSITION INSIDE PANELS. USING THE DRILL AND 3/8" HEX DRIVER BIT. FASTEN PANELS TO BASE WITH LAG SCREWS (PN 13860).

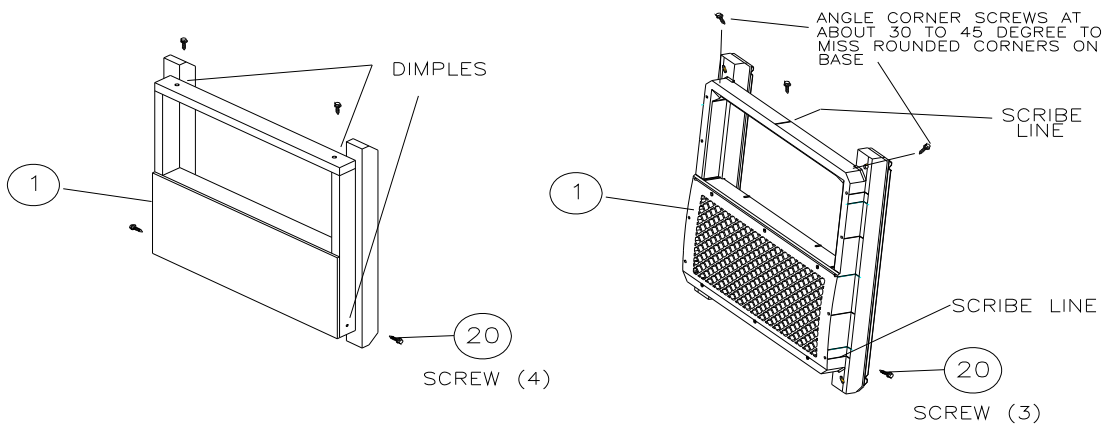
**ROTOMOLDED BASE:** LOCATE DIMPLES CIRCLED ON BASE AT LOCATION SHOWN. FASTEN PANELS TO BASE WITH LAG SCREWS. FASTEN REMAINING HOLE.

**DIRT BUSTER BASE:** FASTEN REAR PANEL FIRST. PANEL NEEDS TO BE FLUSH WITH TOP OF RUNNER. USING THE CENTER SCRIBE LINE ON BASE FASTEN PANEL WITH LAG SCREW. REPEAT ON EACH SIDE PANEL USING BOTTOM HOLES. SEE SCRIBE LINE LOCATION AS SHOWN. FASTEN REMAINING HOLES. **NOTE: MAKE SURE PANEL IS FLUSH WITH BASE**

**BEFORE FASTENING PANEL TO BASE.**

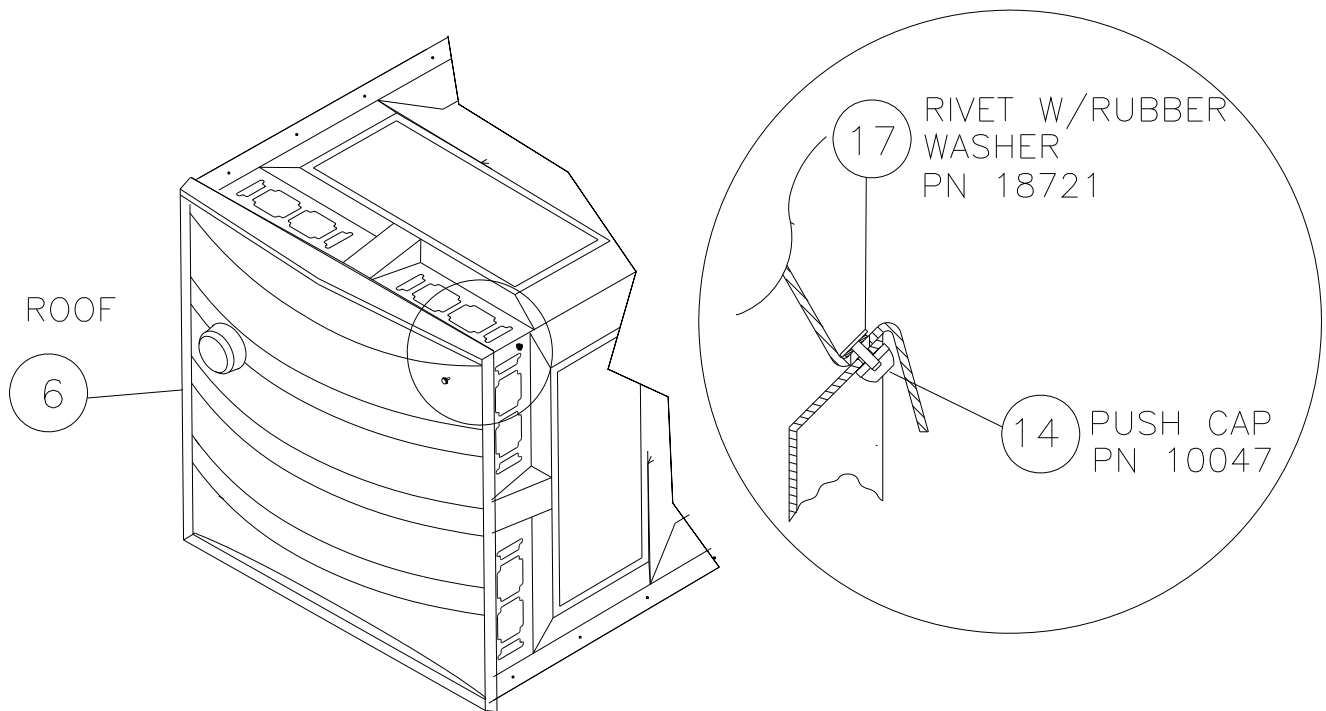
**ROTOMOLDED BASE**

**DIRT BUSTER BASE**



**3. ATTACH ROOF TO PANELS**

TIP ROOF UP AND POSITION OVER PANELS. INSTALL ALL RIVETS AND PUSH CAPS BY HAND USING THE C-CLAMP TOOL, MAKE SURE ALL CAPS AND RIVETS ARE CLAMPED TIGHT UNTIL RUBBER WASHERS ARE COMPRESSED.

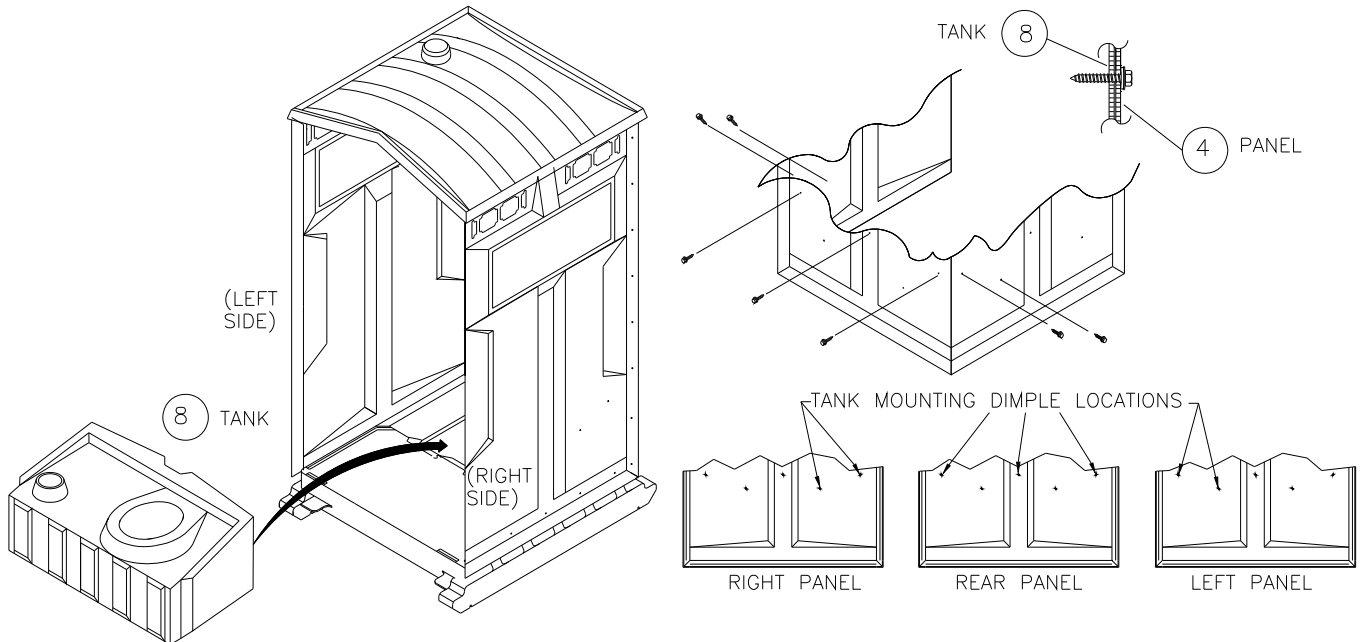


**STAND UNIT UP ON BASE FOR THE NEXT ASSEMBLY STEPS**

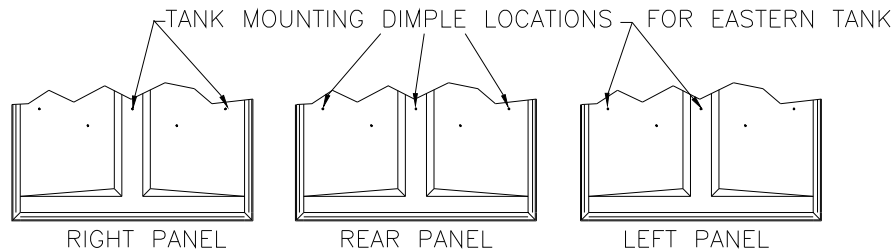
**4. PLACE TANK IN UNIT**

ATTACH TANK TO PANELS FROM OUTSIDE

IT IS IMPORTANT THAT THE TANK IS SEATED PROPERLY WHILE ATTACHING THE SIDE PANELS. HAVE ONE PERSON STAND IN TANK WHILE LAGGING PANELS TO TANK. USING THE DRIVER AND 3/8" NUT DRIVER BIT. TIGHTEN SCREWS UNTIL RUBBER WASHER BEGINS TO FLATTEN – **BE CAREFUL NOT TO OVER TIGHTEN SCREWS.**

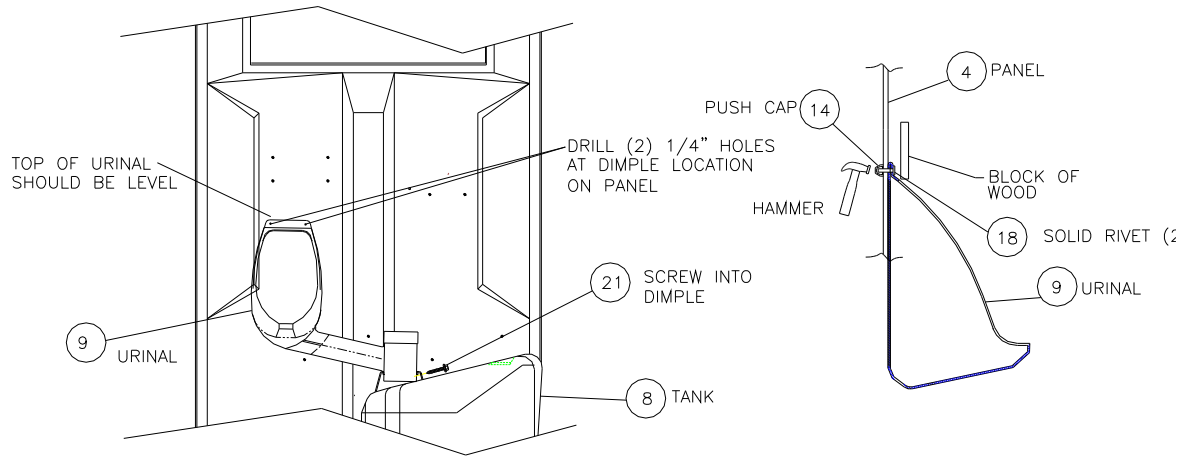


**5. IF INSTALLING AN EASTERN TANK, THE TANK SHOULD BE LAGGED 15" ABOVE THE BOTTOM OF THE PANEL, DIRECTLY BELOW THE DIMPLES SHOWN.**



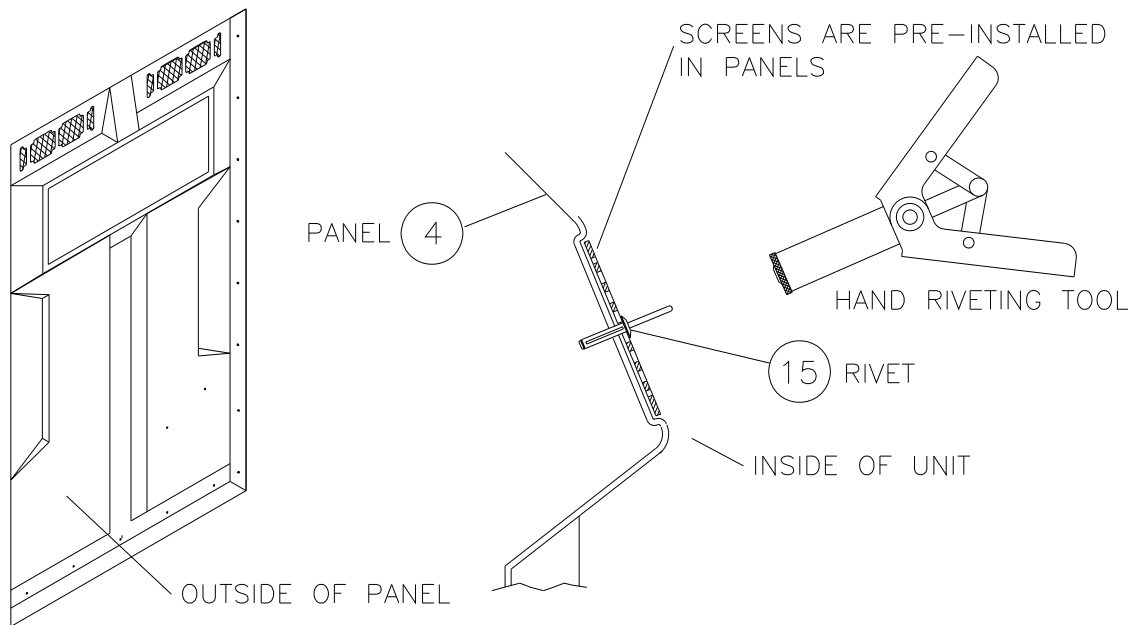


## 6. INSTALL URINAL

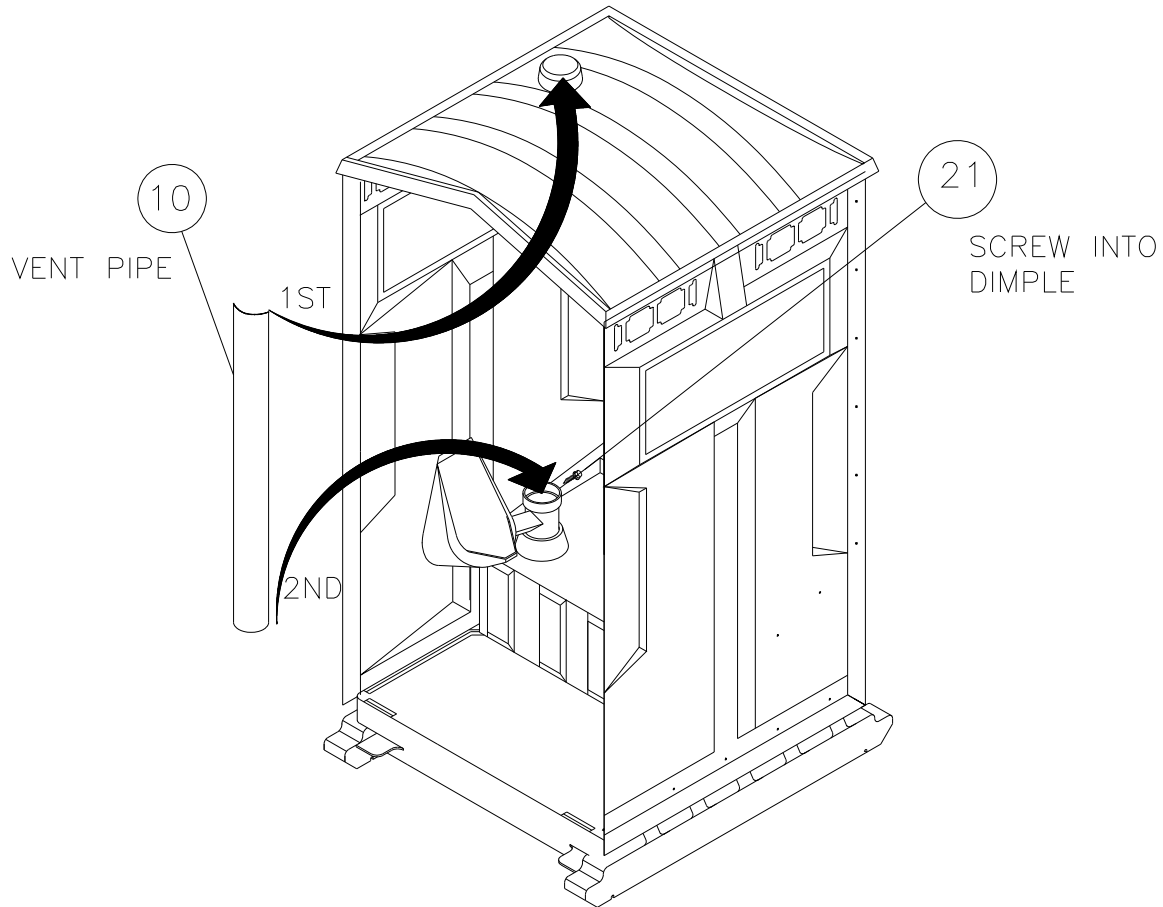


## 7. INSTALL VENT SCREEN RIVETS

USING A POP RIVET TYPE GUN OR (SATELLITE RIVET GUN TOOL #15814)

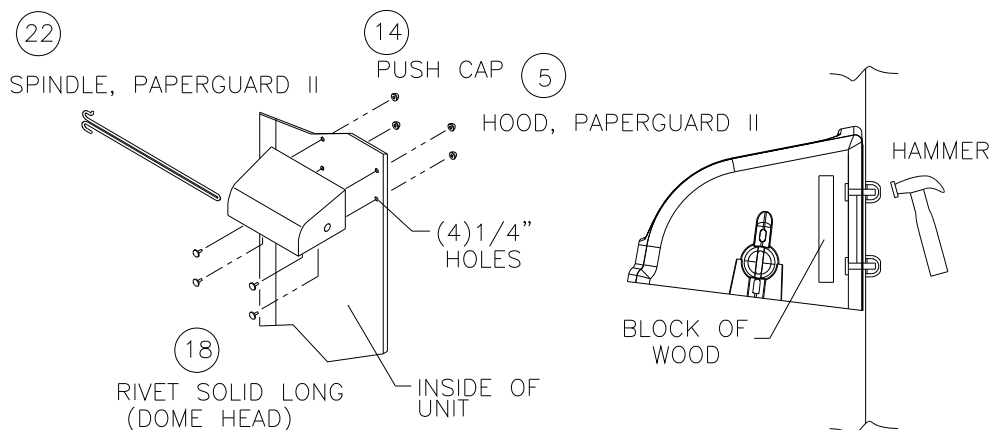


## 8. INSTALL VENT PIPE



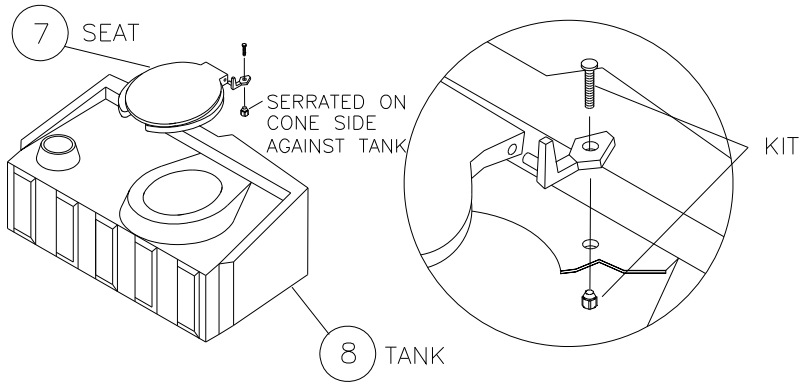
## 9. INSTALL PAPERGUARD

DRILL (4) 1/4" HOLES AT DIMPLES ON RIGHT SIDE PANEL, INSTALL PAPERGUARD USING (4) RIVET AND (4) PUSH CAPS. **NOTE: IF INSTALLING OTHER OPTIONAL ACCESSORIES SUCH AS A SLIMMATE SINK, THE PAPERGUARD MAY HAVE TO BE MOVED TO A DIFFERENT LOCATION.**



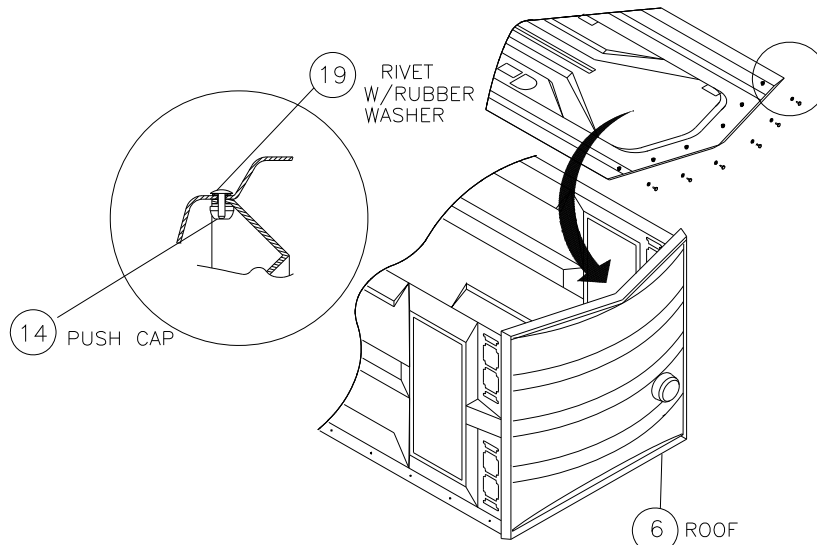
**10. ATTACH TOILET SEAT**

USING A #2 PHILLIPS OR FLAT HEAD SCREWDRIVER. (TIGHTEN SEAT HINGE NUT SECURELY)



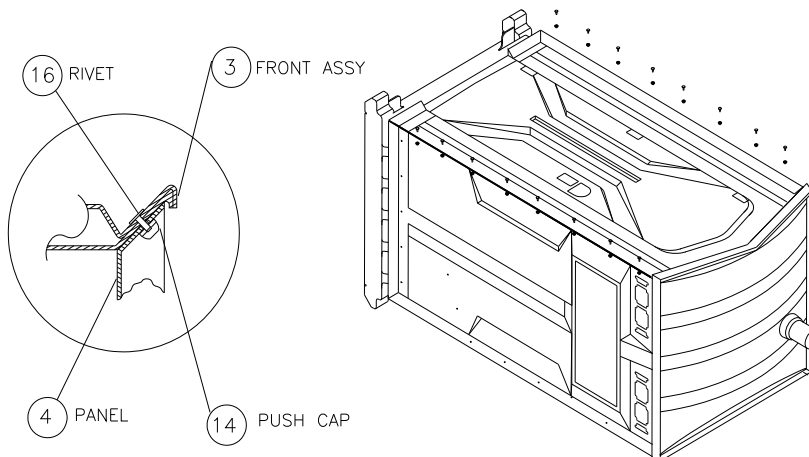
**11. ATTACH ROOF TO FRONT ASSEMBLY**

FOR THE FRONT INSTALLATION STEPS; LAY THE UNIT ON ITS REAR PANEL. USING THE C-CLAMP TOOL, MAKE SURE CAPS AND RIVETS ARE CLAMPED TIGHT UNTIL RUBBER WASHERS ARE COMPRESSED.



**12. ATTACH RIGHT AND LEFT SIDE PANELS TO FRONT ASSEMBLY**

USING THE C-CLAMP TOOL, MAKE SURE CAPS AND RIVETS ARE CLAMPED TIGHT.



**13. BOLT THE FRONT ASSEMBLY TO BASE:**

**NOTE: IF ASSEMBLING DIRT BUSTER BASE SKIP #13.**

**A. RECYCLED BASE**

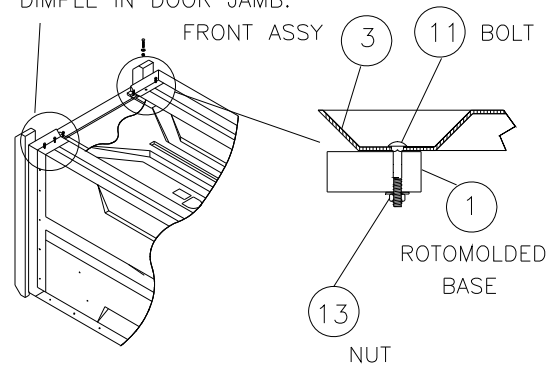
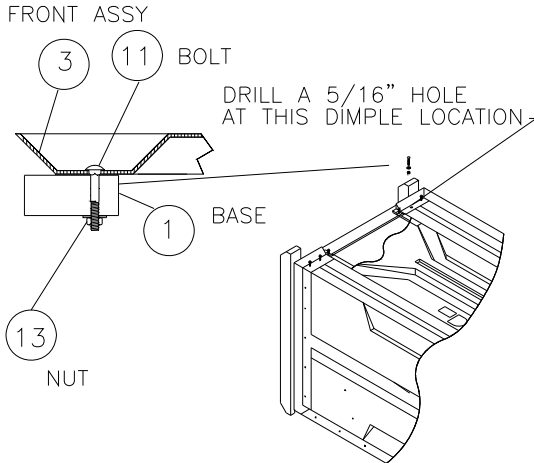
WITH RECYCLED BASE SKIP TO STEP #14 FIRST THEN RETURN TO COMPLETE STEP # 13. USING 5/16" DRILL BIT, 3/8" NUT DRIVER, DRILL, AND 1/2" SOCKET

**B. ROTOMOLDED BASE (GREY)**

USING 13/32" DRILL BIT, 3/8" NUT DRIVER, DRILL, AND 1/2" SOCKET

ON THE LEFT DOOR FRAME ENLARGE THE LEFT HOLE WITH A 13/32" DRILL BIT. INSTALL THE CARRIAGE BOLT ON 2ND HOLE FROM LEFT.

ON THE RIGHT, ENLARGE (2) HOLES THRU FRONT WITH 13/32" DRILL BIT INSTALL LAG SCREWS INTO CORED HOLES IN BASE. REMOVE SHIPPING SCREW, INSTALL (2) LAG SCREWS AT DIMPLE IN DOOR JAMB.

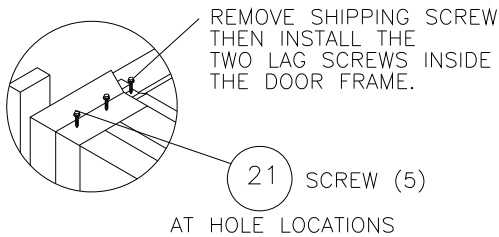


**14. SCREW THE FRONT ASSEMBLY TO SKID ASSEMBLY:**

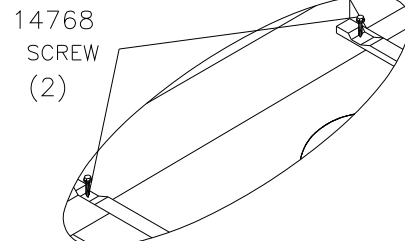
**ROTOMOLDED BASE & RECYCLED PLASTIC BASE**

**(TIGHTEN LAG SCREW UNTIL RUBBER WASHER BEGINS TO FLATTEN – DO NOT OVER TIGHTEN.)**

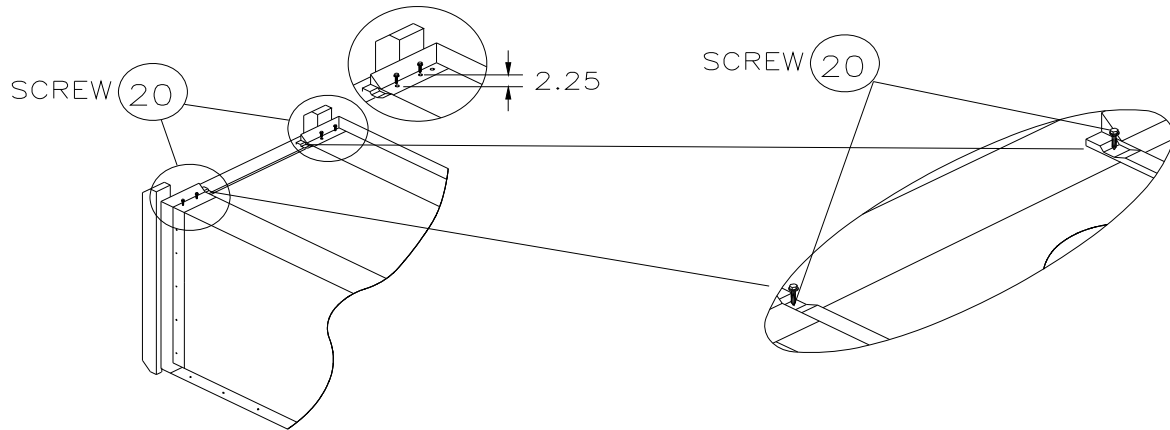
RECYCLED BASE OR ROTOMOLDED BASE (GREY)



USING DRILL AND 3/8" NUT DRIVER

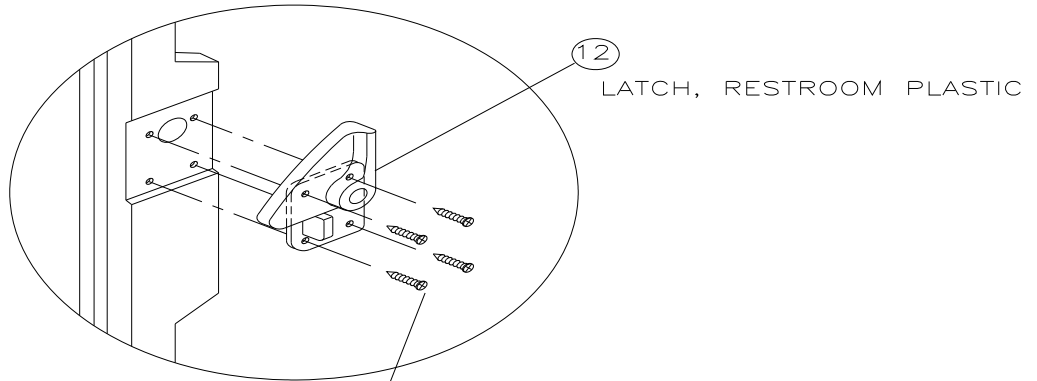


**DIRT BUSTER BASE:** INSTALL LAG SCREWS USING A 3/8 NUT DRIVER BIT AND DRILL. FASTEN SCREWS IN HOLES CLOSEST TO DOOR OPENING. MEASURE 2-1/4 FROM THAT SCREW AND FASTEN SECOND SCREWS IN NEW LOCATION. **SEE PICTURE.** REMOVE SHIPPING SCREW. OPEN DOOR AND INSTALL THE (2) LAG SCREWS TO DIMPLES TO INSIDE THE FACING FRAME. **(TIGHTEN LAG SCREW UNTIL RUBBER WASHER BEGINS TO FLATTEN - DO NOT OVER TIGHEN).**



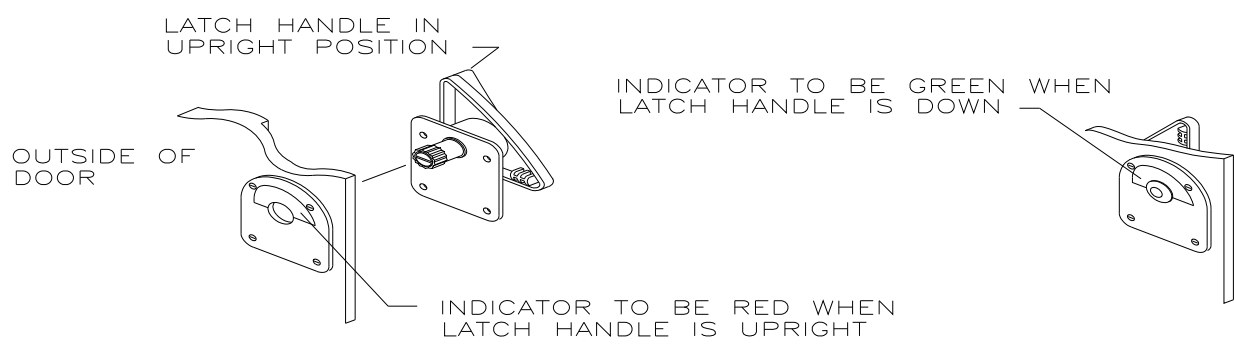
**15. INSTALL DOOR LATCH**

USING A PHILLIPS SCREWDRIVER INSTALL (4) #10 SCREWS THROUGH LATCH IN DOOR ASSY.

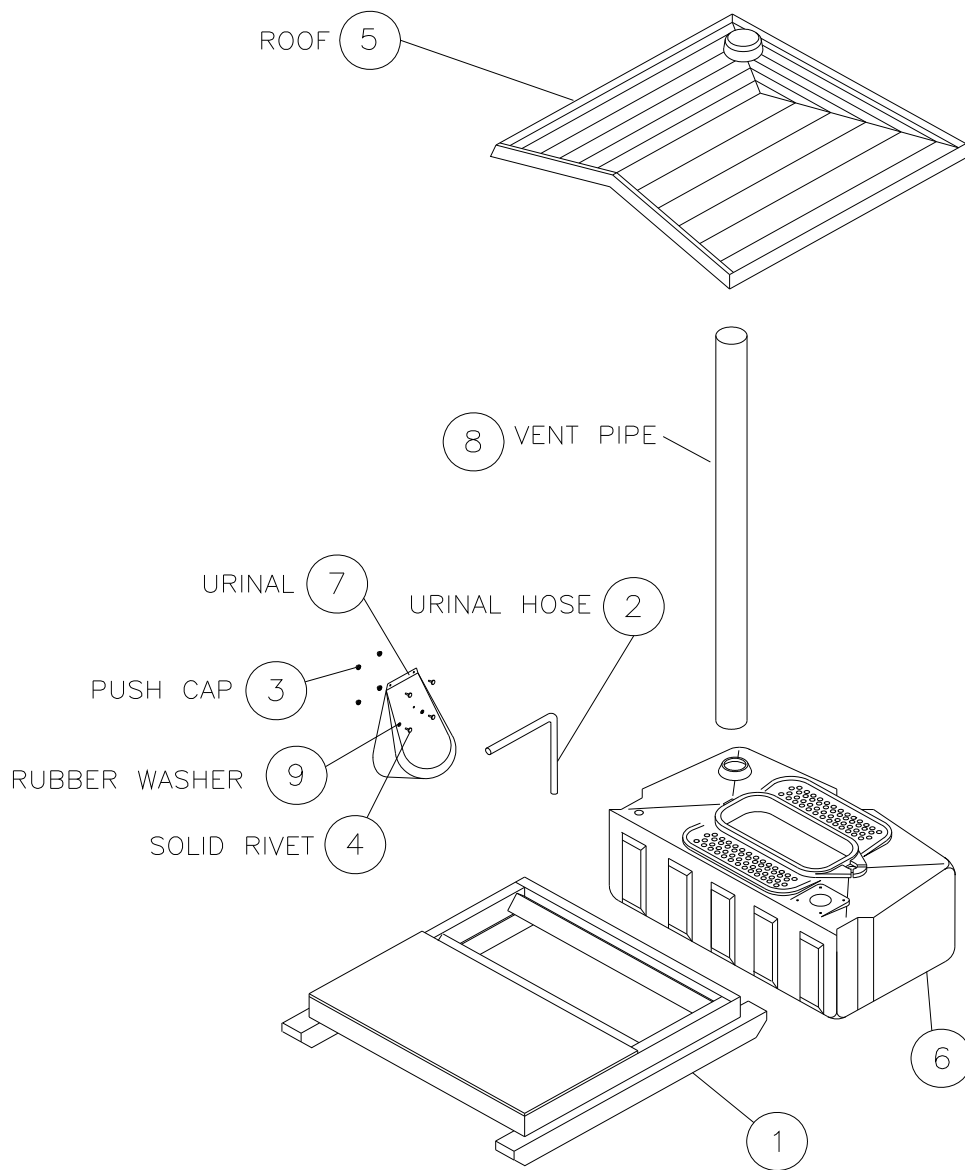


⊕  
 (20) SCREW, #10 X 3/4"  
 PN PH TAP (4)

BE CARREFUL NOT TO  
 OVERTIGHTEN SCREWS

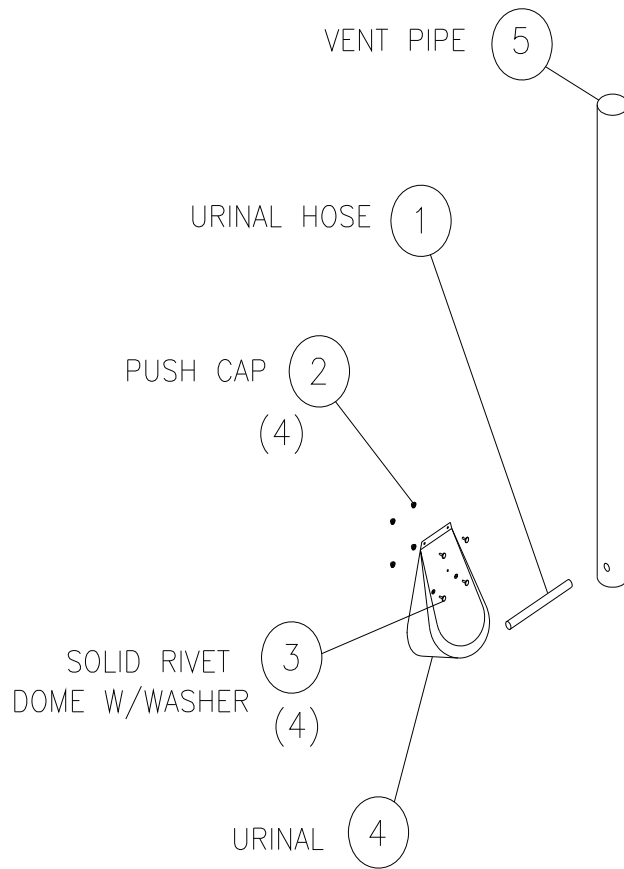


## EASTERN TANK OPTION



ITEM	P.N.	QTY	DESCRIPTION
1	17490	1	BASE, 4X4 RECYL PLST EASTERN
2	13183	1	HOSE, URINAL ELBOW
3	10047	4	PUSH CAP, 3/16"
4	10801	4	RIVET, SOLID LONG
5	13298	1	ROOF, TUFWAY CORNER VENT NATURAL
6	14565	1	TANK, EASTERN II
7	11999	1	URINAL, SPLASHGUARD
8	11946	1	VENT PIPE, 4 X 68 GREY
9	10068	2	WASHER, 3/16" RUBBER

## SPLASHGUARD URINAL OPTION

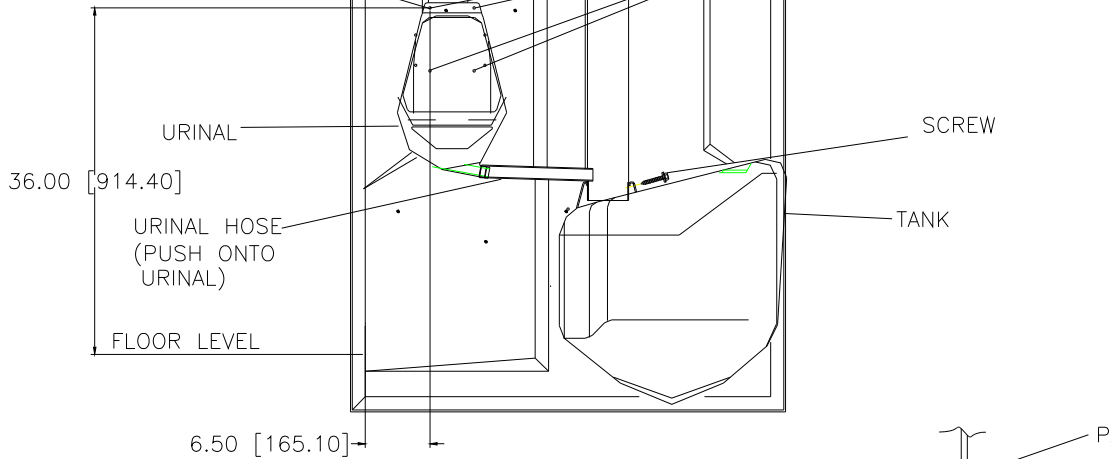


ITEM	P.N.	QTY	DESCRIPTION
1	12707	1	HOSE, URINAL POLY PLUS 1in
2	10047	4	PUSH CAP, 3/16 ID
3	18722	4	RIVET, SOLID LONG DOME W/WSHR
4	11999	1	URINAL, SPLASHGUARD GREY
5	12683	1	VENT PIPE, 4 X 68 W/HOLE GRY

## INSTALLING THE SPLASHGUARD URINAL



THIS DIMPLE SHOULD BE LOCATED APPROXIMATELY AS SHOWN.



### EASTERN OPTION

THIS DIMPLE SHOULD BE LOCATED APPROXIMATELY AS SHOWN.

