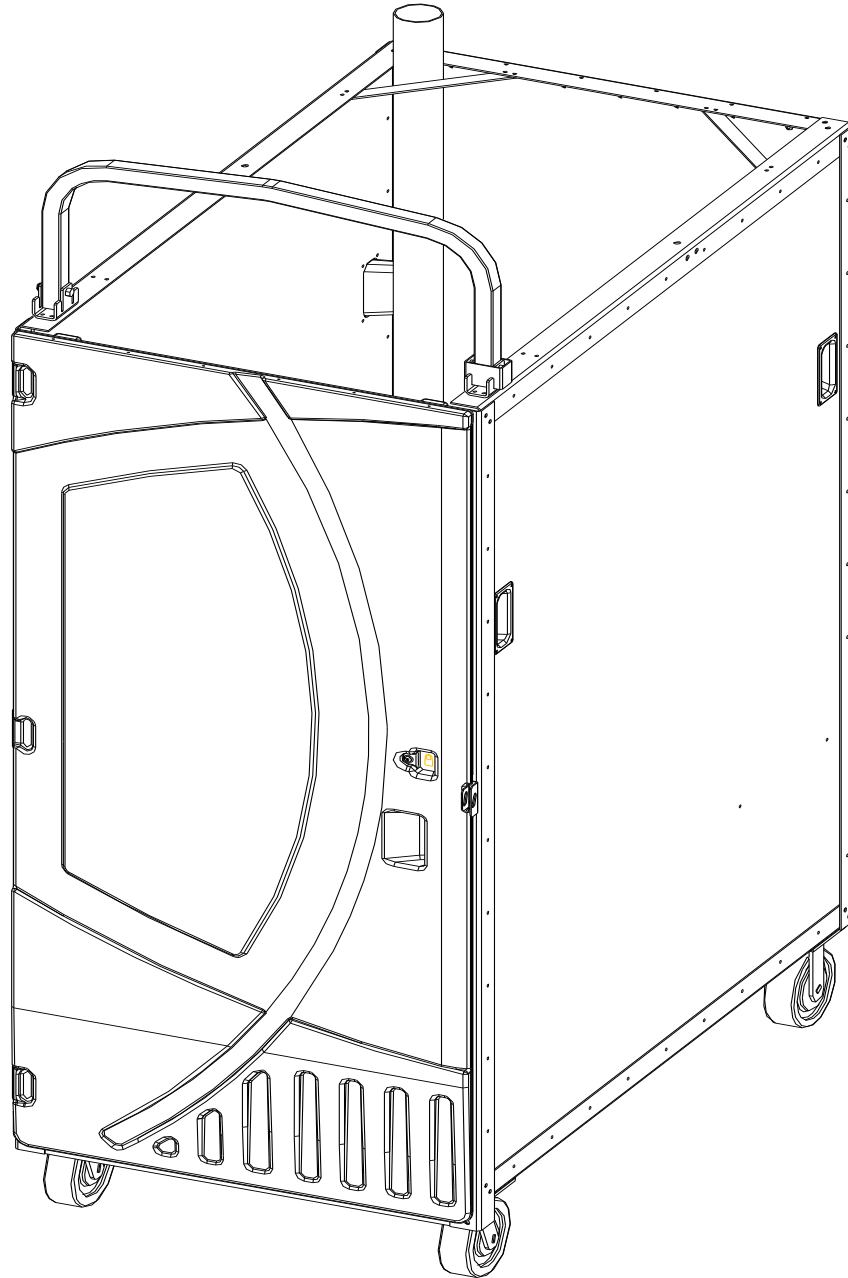


HIGH RISE™

Portable Restroom Assembly Instructions



2530 Xenium Lane North, Minneapolis, MN 55441
Telephone: 763-553-1900 / Fax: 763-553-1905
800-328-3332/ www.satelliteindustries.com

INTRODUCTION

These Assembly Instructions cover the High Rise portable restroom. Satellite portable restrooms must be assembled according to approved assembly procedures. Avoid variations in assembly which could adversely affect product life.

- The assembly procedures are written for assembly of single units. If assembling multiple units, considerable efficiency can be gained by having a crew working in assembly line fashion.

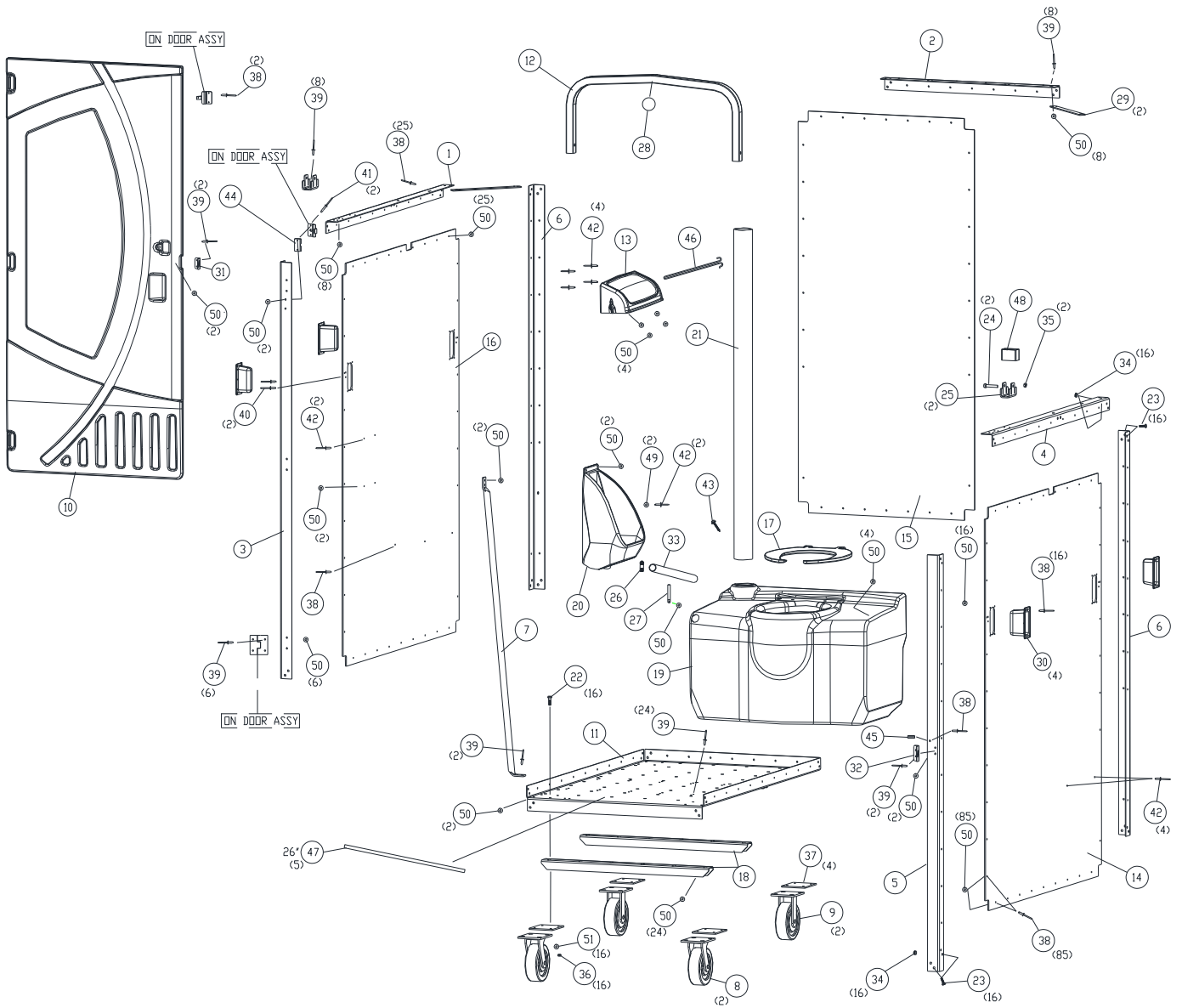
TOOLS

- | | |
|---|--------------------------------------|
| 1. DRILL ELEC/CORDLESS | 2. SOCKET DRIVER BIT |
| 3. 7/16" (.435)[11mm] OPEN END WRENCH | 4. 7/16" (.437)[11 mm] SOCKET |
| 5. 1/4 DRILL BIT | 6. 1/2" (.500)[13mm] OPEN END WRENCH |
| 7. 1/2" (.500)[13mm] SOCKET | 8. 9/16" (.562)[14mm] SOCKET |
| 9. 9/16" (.562)[14mm] OPEN END WRENCH | 10. ADJUSTABLE WRENCH |
| 11. RIVET GUN | 12. #10 (.193)[5mm] DRILL BIT |
| 13. 3/8" (.375)[9mm] HEX NUT DRIVER BIT | |

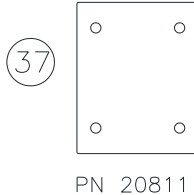
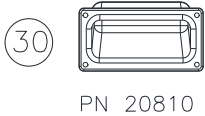
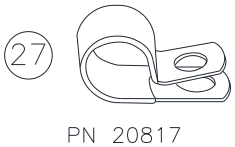
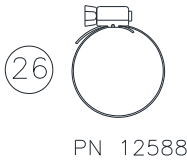
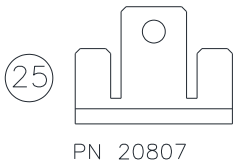
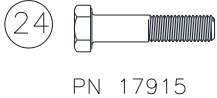
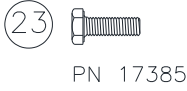
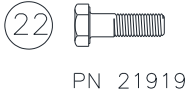
HELPFUL HINTS

- Keep panels out of direct sunlight
- Have an apron with at least two large pockets, easy to get parts out of
- Don't open up all your kit boxes. Open up only enough kit boxes to assemble the number of toilets you are currently working on. **KEEP PARTS ORGANIZED.**

EXPLODED UNIT ASSEMBLY DRAWING



HARDWARE PARTS LIST (HDWE, HIGH RISE #20848)



1 HDWE, HIGH RISE(#20848)

51	11364	16	WASHER, 1/4 FLAT
50	11315	195	WASHER, 3/16 RIVET STNLS
49	10068	2	WASHER, RUBBER 3/32 THK
48	20815	1	TUBE, HIGH RISE PROP LOCK
47	20919	130"	STRIP, 1in ANTISLIP
46	22310	1	SPINDLE- PRGRD II 3 ROLL METAL
45	20620	1	SPACER, TM II URINAL ALUM
44	20804	1	SPACER, CABLE ANCHOR BRACKET
43	13860	1	SCREW, #14 X 1-1/2 W/WSH GOLD
42	11054	12	RIVET, #68 AAL POP
41	10812	2	RIVET, #612 ALUM
40	14351	2	RIVET, #610 CCP
39	11270	52	RIVET, #68 STNLS
38	11027	130	RIVET, #66 ALUM
37	20811	4	PLATE, CASTER MOUNT HIGH RISE
36	13131	16	NUT, 5/16 NYLOC
35	20805	2	NUT, 3/8-16 NYLOC THIN
34	16307	32	NUT, 1/4-20 NYLOC STNLS
33	13417	21"	HOSE, 1in ID BULK COIL
32	13199	1	HASP, 3/16 RIVET HOLE FACING
31	13197	1	HASP, 3/16 RIVET HOLE DOOR
30	20810	4	HANDLE, POCKET HIGH RISE
29	20809	2	GUSSET, HIGH RISE CORNER
28	20916	1	DECAL, HIGH RISE DO NOT LIFT
27	20817	1	CLAMP, INSULATED HIGH RISE
26	12588	1	CLAMP, WORMDRIVE #12
25	20807	2	BRACKET, PROP FRAME HIGH RISE
24	17915	2	BOLT, 3/8-16 X 2 GRD8 PLTD
23	17385	32	BOLT, 1/4-20 X 3/4 GRD5 PLTD
22	21919	16	BOLT, 5/16-18 X 1 GR5 PLTD

STANDARD HIGH RISE PARTS

21	20816	1	VENT PIPE, 3 X 52-1/2 BLACK
20	11999	1	URINAL, SPLASHGUARD GREY
19	20814	1	TANK, 38 GALLON HIGH RISE
18	20852	2	SUPPORT, HIGH RISE FLOOR
17	14959	1	SEAT, ELONG MX2/MX3/TRS/HT BLK
16	20882	1	PANEL, HIGH RISE SIDE LT PBLU
15	20802	1	PANEL, HIGH RISE REAR PBLU
14	20801	1	PANEL, HIGH RISE SIDE RT PBLU
13	22209	1	HOOD- PAPERGRD 3 ROLL DGRY
1	20848	1	HDWE, HIGH RISE
12	20806	1	FRAME, PROP HIGH RISE
11	20797	1	FLOOR, HIGH RISE
10	20803	1	DOOR ASSY, HIGH RISE PBLU
9	20813	2	CASTER, 2 X 6 RIGID HIGH RISE
8	20812	2	CASTER, 2 X 6 SWIVEL HIGH RISE
7	20808	1	BRACE, DOOR FRAME HIGH RISE
6	20851	2	ANGLE, 67 VERT HIGH RISE REAR
5	20850	1	ANGLE, 67 VERT HIGH RISE HASP
4	20849	1	ANGLE, 51-1/2 HOR HIGH RISE RH
3	20800	1	ANGLE, 67 VERT HIGH RISE HINGE
2	20799	1	ANGLE, 30 HORIZ HIGH RISE
1	20798	1	ANGLE, 51-1/2 HOR HIGH RISE LH
ITEM#	PART#	QTY	DESCRIPTION

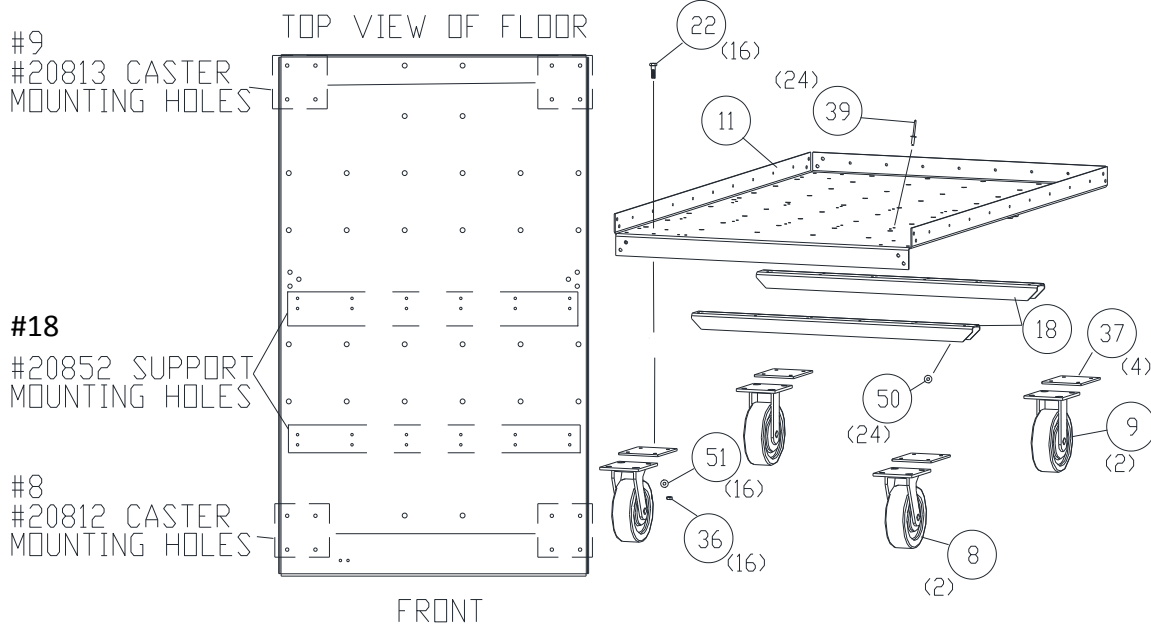
DIRECTIONS

1. ATTACH FLOOR SUPPORT BRACKETS AND CASTER.

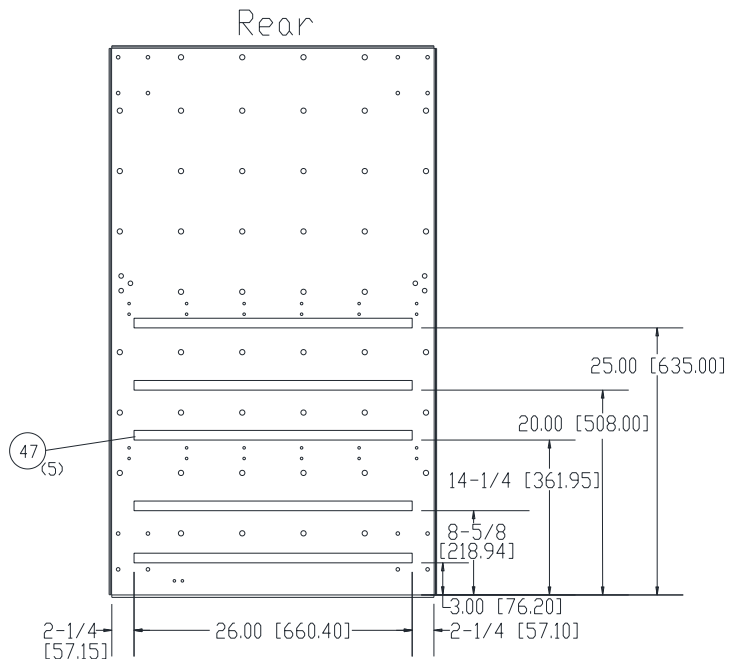
ATTACH #18 SUPPORTS: TO #11 FLOOR WITH #39 RIVETS ON TOP OF FLOOR AND #50 WASHERS ON BOTTOM OF SUPPORT. AS SHOWN BELOW. **NOTE:** MAY NEED TO CLAMP SUPPORTS TO FLOOR PRIOR TO RIVETING.

ATTACH #8 CASTERS: TO FRONT HOLES OF FLOOR USING #22 BOLTS, #51 WASHERS AND #36 NUTS. PLACE #37 PLATES IN BETWEEN FLOOR AND CASTER. AS SHOWN BELOW.

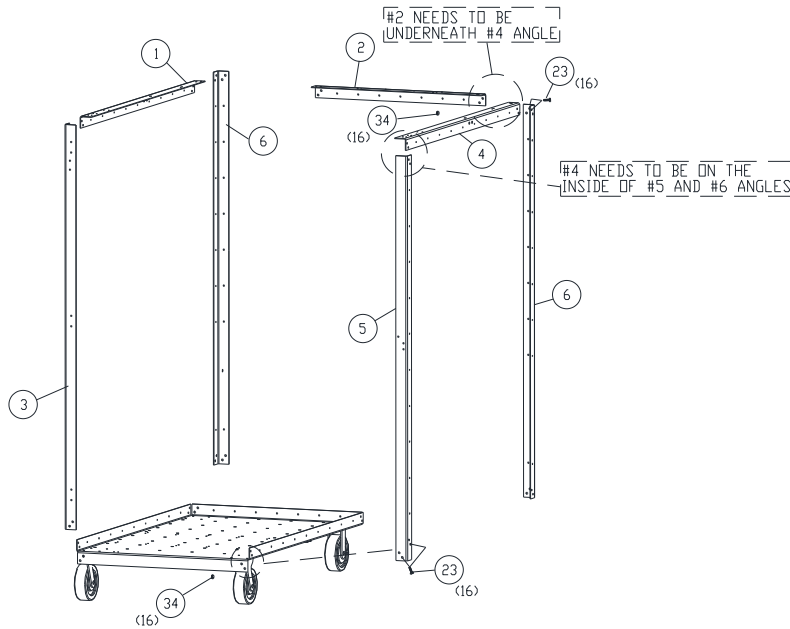
ATTACH #9 CASTERS: REPEAT SAME PROCESS AS #8 CASTERS FASTENING. BUT USE BACK HOLES IN FLOOR. **NOTE:** SWIVEL CASTERS GO ON THE FRONT, RIGID CASTERS ON REAR.



2. ATTACH #47 STRIP- 1in ANTISLIP AS SHOWN: (Note: Check to make sure you are putting strips on correct end).

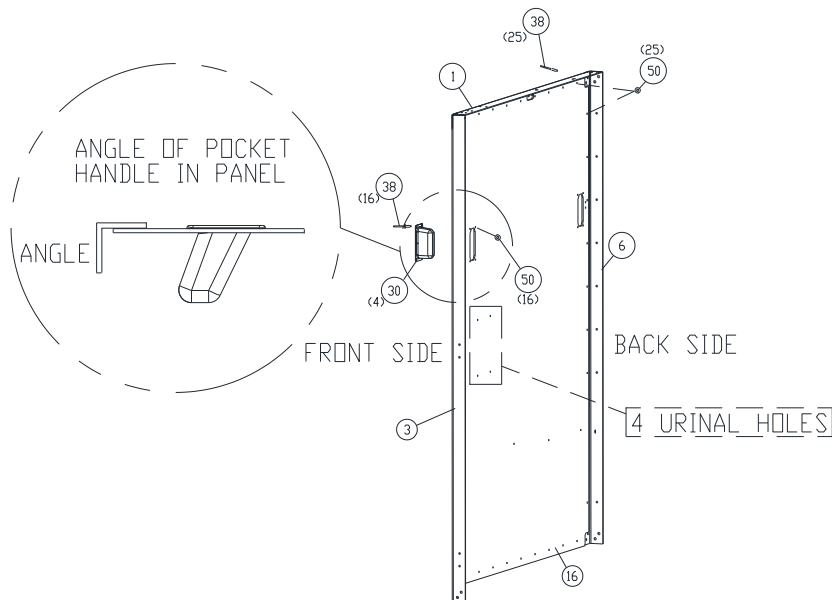


- 3. ATTACH VERTICAL AND HORIZONTAL ANGLES. (NOTE: ANGLES ARE DIFFERENT, LOOK FOR HOLE LOCATION ON DRAWING BELOW).**
 FASTEN #5 67" ANGLE IN FRONT, #6 67" ANGLE IN BACK TO #4 51-1/2" ANGLE WITH #23 BOLTS AND #34 NUTS. AS SHOWN. SEE NOTES BELOW FOR ANGLE FASTENING LOCATION.
NOTE: DO NOT TIGHTEN NUTS ON BOLTS AT THIS TIME.
 REPEAT STEP ABOVE ON OPPOSITE SIDE.



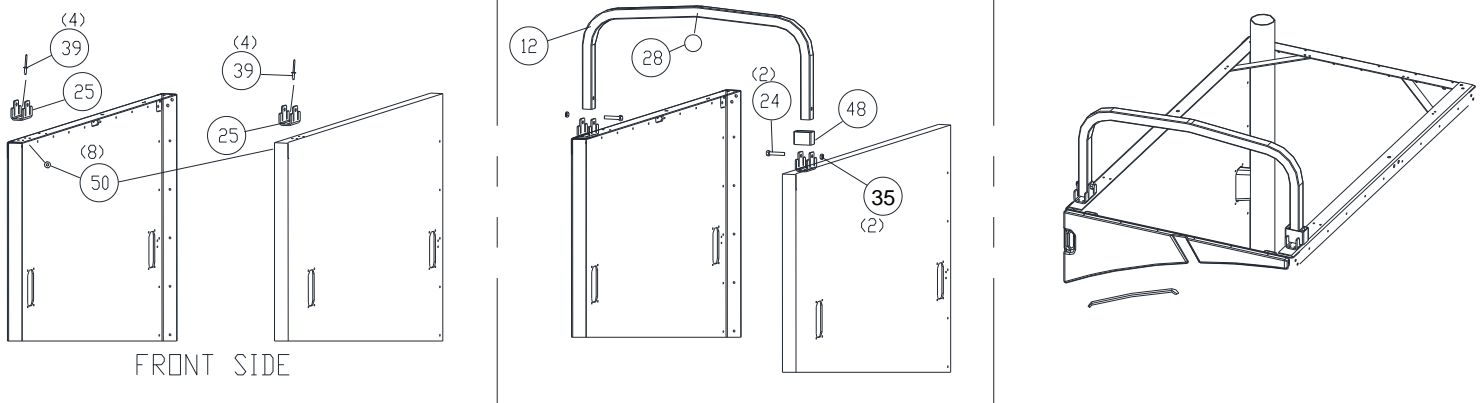
- 4. ATTACH PANELS TO ANGLES.**
 FASTEN #15 LEFT PANEL FIRST TO THE LEFT SIDE OF UNIT. PANEL ON THE INSIDE OF ANGLES SO THE TEXTURE SIDE IS SHOWING ON THE OUTSIDE OF THE TOILET. **NOTE:** THE 4 HOLES FOR MOUNTING URINAL (ONLY LEFT PANEL HAS PRE-DRILLED HOLES FOR MOUNTING URINAL) ARE TOWARDS THE FRONT OF THE UNIT. FASTEN WITH #38 RIVETS AND #50 WASHERS AS SHOWN. RIVET EACH CORNER FIRST. THEN FINISH RIVETING REMAINING HOLES IN PANEL TO ANGLES AND FLOOR.
REPEAT THIS STEP ON BACK AND RIGHT SIDE PANELS.
NOTE: BOTTOM OF REAR PANEL DOESN'T HAVE HOLES WHERE TANK FITS IN UNIT.

- 5. FASTEN POCKET HANDLES TO PANEL HOLES.**
 USING #38 RIVETS AND #50 WASHERS FASTEN HANDLE TO PANELS AS SHOWN. REPEAT THIS STEP ON RIGHT PANEL ALSO.



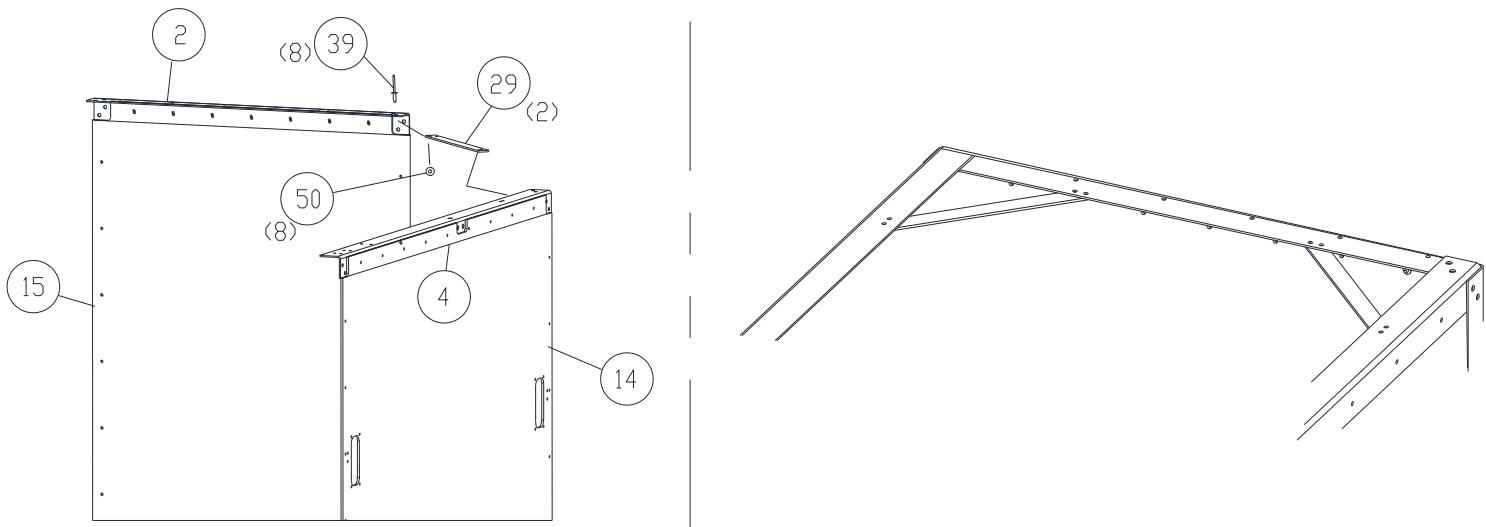
6. FASTEN PROP BRACKET AND FRAME.

ATTACH #25 BRACKET TO ANGLES WITH #39 RIVET AND #50 WASHER AS SHOWN, SLIDE #48 TUBE OVER #12 FRAME ON RIGHT SIDE. BOLT #12 FRAME TO #25 BRACKETS WITH #24 BOLT AND #35 NUT AS SHOWN. **DO NOT OVER TIGHTEN; ALLOW PROP FRAME TO TILT BACK BUT HAVE SOME RESISTANCE SO IT WON'T FALL DOWN AND HIT SOMEONE.** PLACE #28 DECAL ON #12 FRAME AS SHOWN.



7. FASTEN CORNER GUSSETS.

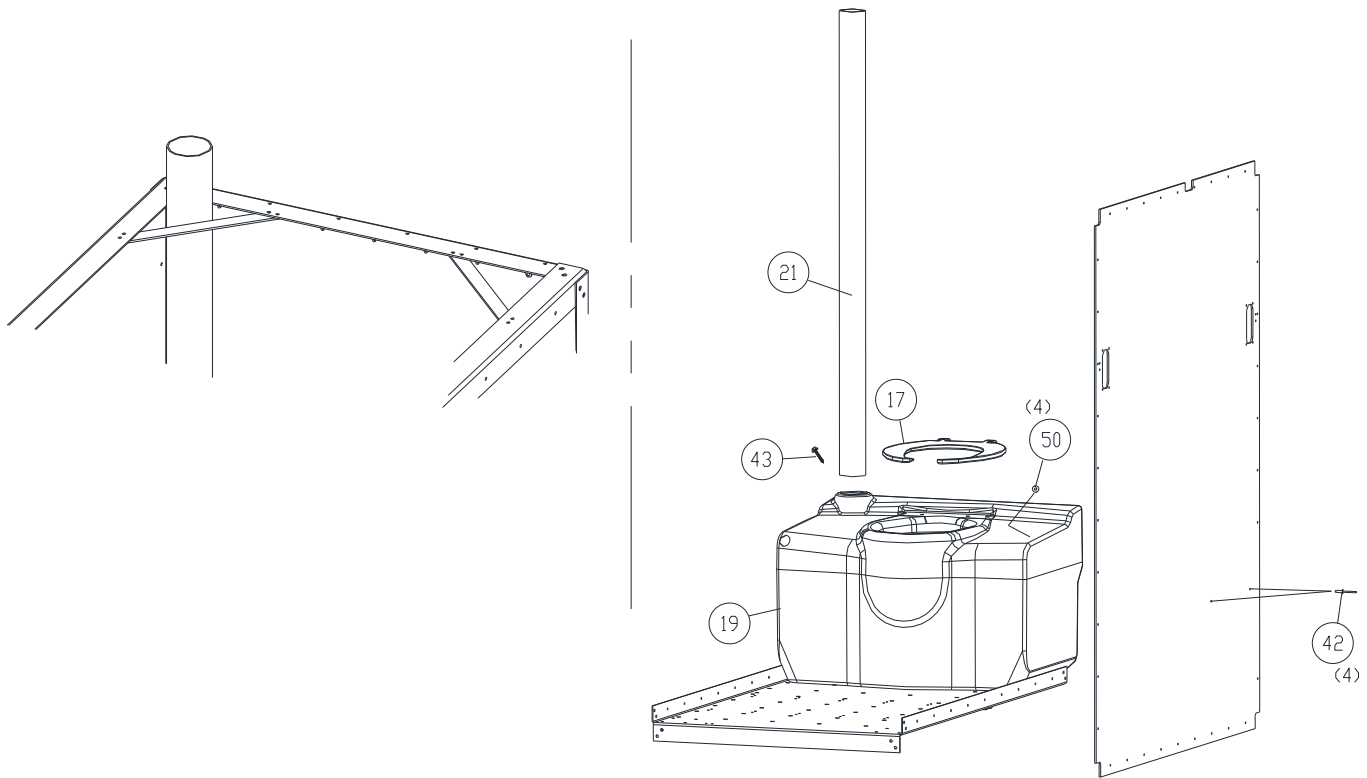
FASTEN #29 GUSSETS UNDER REAR CORNER ANGLES. FASTEN WITH #39 RIVETS AND #50 WASHERS AS SHOWN. REPEAT ON OPPOSITE CORNER.



8. TIGHTEN ALL BOLTS AND NUTS IN ANGLES TO FLOOR USING THE 7/16" SOCKET AND WRENCH.

9. INSTALL TANK AND TOILET SEAT IN REAR OF TOILET.

SLIDE #19 TANK INTO BACK OF TOILET. FASTEN #17 TOILET SEAT TO TANK. TRANSFER DRILL THROUGH HOLES IN PANELS (2 PER PANEL) THROUGH #19 TANK. FASTEN PANELS TO TANK WITH #42 RIVETS AND #50 WASHERS. RIVETS ON OUTSIDE OF TOILET AND WASHERS ON THE INSIDE OF THE TANK. INSTALL THE #21 VENT PIPE. SLIDE VENT PIPE BETWEEN GUSSET AND ANGLES IN TOP REAR LEFT CORNER OF UNIT. SLIDE VENT PIPE IN HOLE IN TANK. TOP OF VENT PIPE SHOULD BE 4.50" FROM TOP SURFACE OF HORIZONTAL ANGLES. FASTEN WITH VENT PIPE TO TANK WITH #43 SCREW, USING A 3/8" NUT DRIVER BIT AND DRILL.

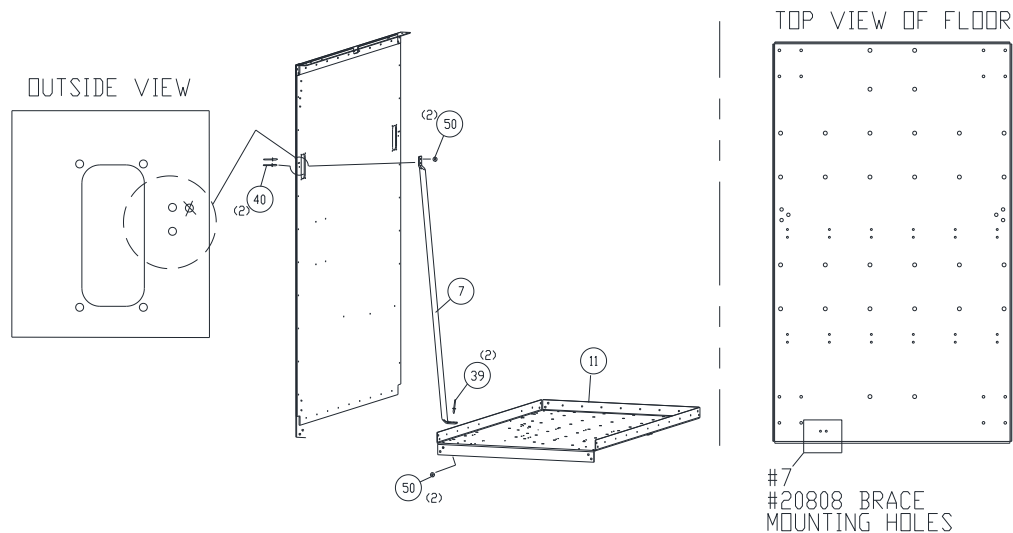


10. TIGHTEN ALL REMAINING BOLTS AND NUTS TO THE TOP ANGLES AT THIS TIME WITH 7/16" SOCKET AND WRENCH.

11. INSTALL BRACE DOOR FRAME

RIVET BOTTOM OF #7 BRACE TO TOP OF FLOOR, SEE FLOOR VIEW FOR HOLE LOCATION. USING #39 RIVETS AND #50 WASHERS. AS SHOWN.

RIVET TOP OF #7 BRACE TO LEFT SIDE PANEL. USING #40 RIVETS AND #50 WASHERS. AS SHOWN.

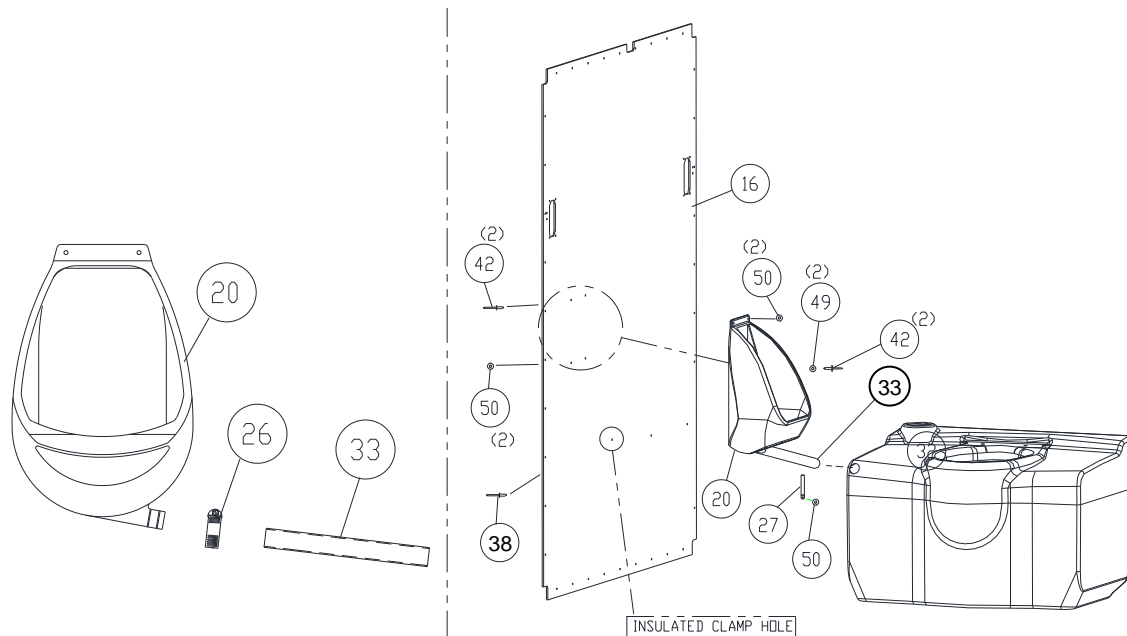


12. INSTALL URINAL.

PRESS #33 HOSE ONTO #20 URINAL AND FASTEN WITH #26 CLAMP. PLACE HOSE END INTO URINAL HOLE IN WASTE TANK. (TOP LEFT CORNER OF TANK)

RIVET URINAL TO LEFT PANEL. USE HOLES IN PANEL AS SHOWN. RIVET THE TOP HOLES FIRST WITH #42 RIVETS FROM THE OUTSIDE AND #50 WASHERS ON THE INSIDE. FASTEN THE BOTTOM HOLES WITH #42 RIVETS AND #49 RUBBER WASHER ON THE INSIDE AND #50 WASHER ON THE OUTSIDE.

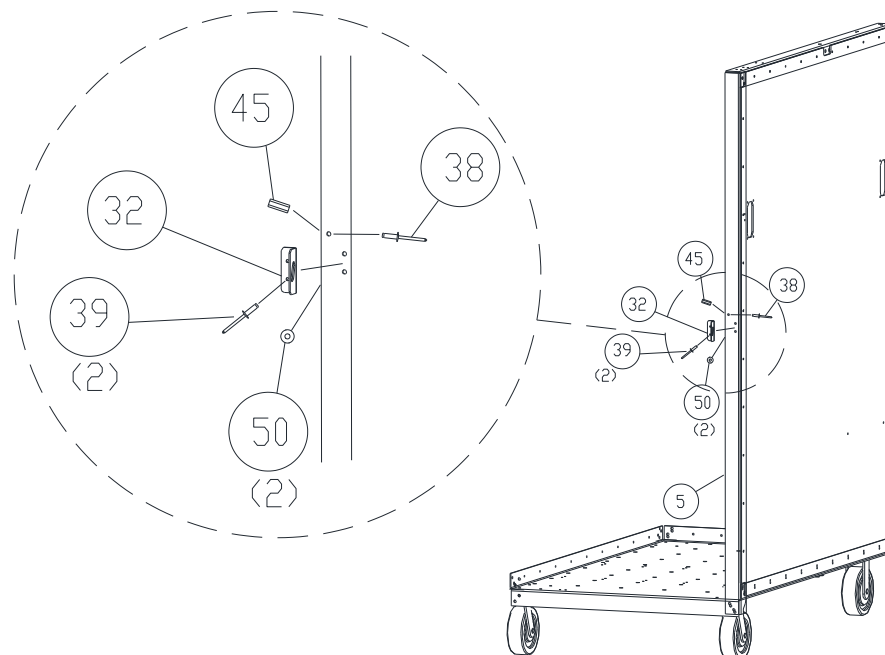
PLACE #27 CLAMP INSULATED OVER URINAL HOSE. FASTEN WITH #38 RIVET FROM THE OUTSIDE AND #50 WASHER ON THE INSIDE. AS SHOWN. RIVET IS BELOW HOSE.



13. FASTEN LATCH STOP SPACER AND HASP TO VERTICAL ANGLE.

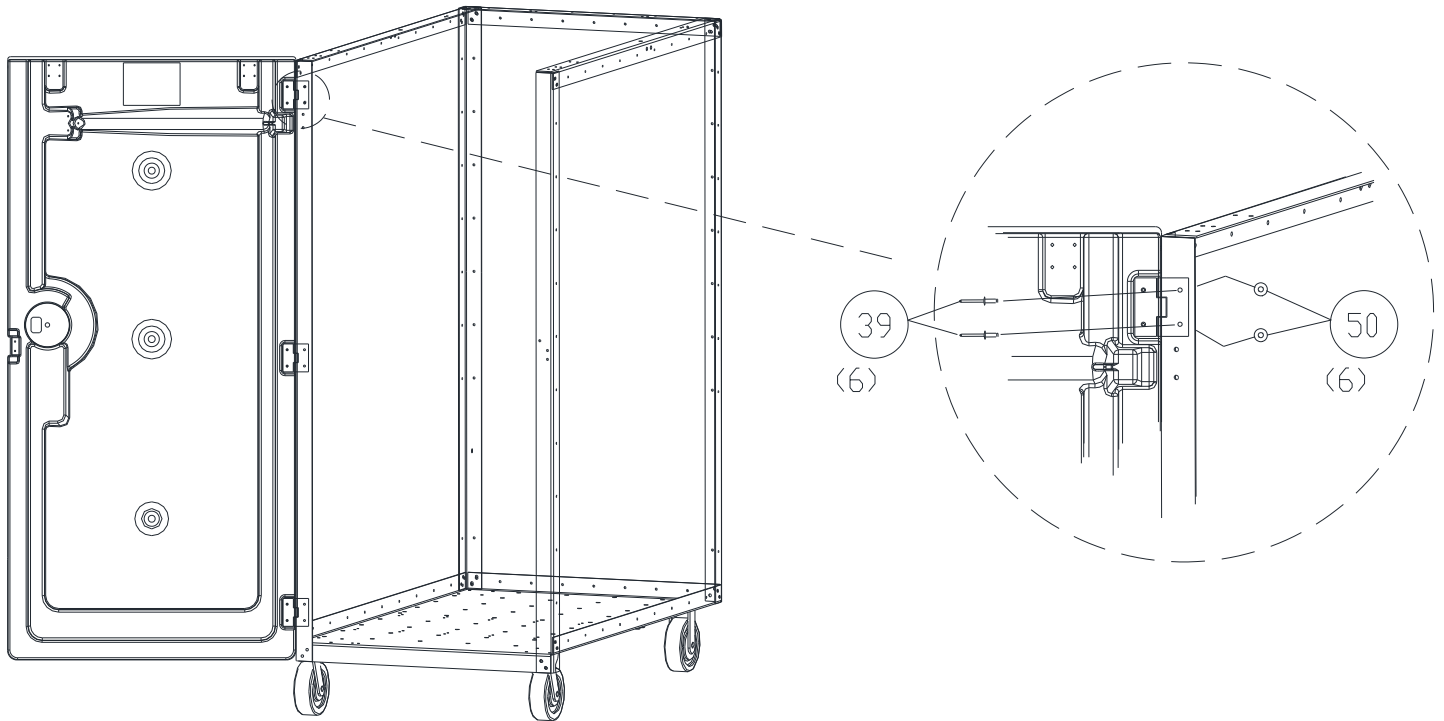
PLACE #45 SPACER ON INSIDE OF #5 VERTICAL HASP ANGLE. FASTEN WITH #38 RIVET FROM THE OUTSIDE.

RIVET THE #32 HASP TO ANGLE WITH #39 RIVETS (THROUGH HASP THEN ANGLE) AND #50 WASHERS (ON INSIDE OF TOILET) AS SHOWN.



14. FASTEN DOOR ASSY TO ANGLE.

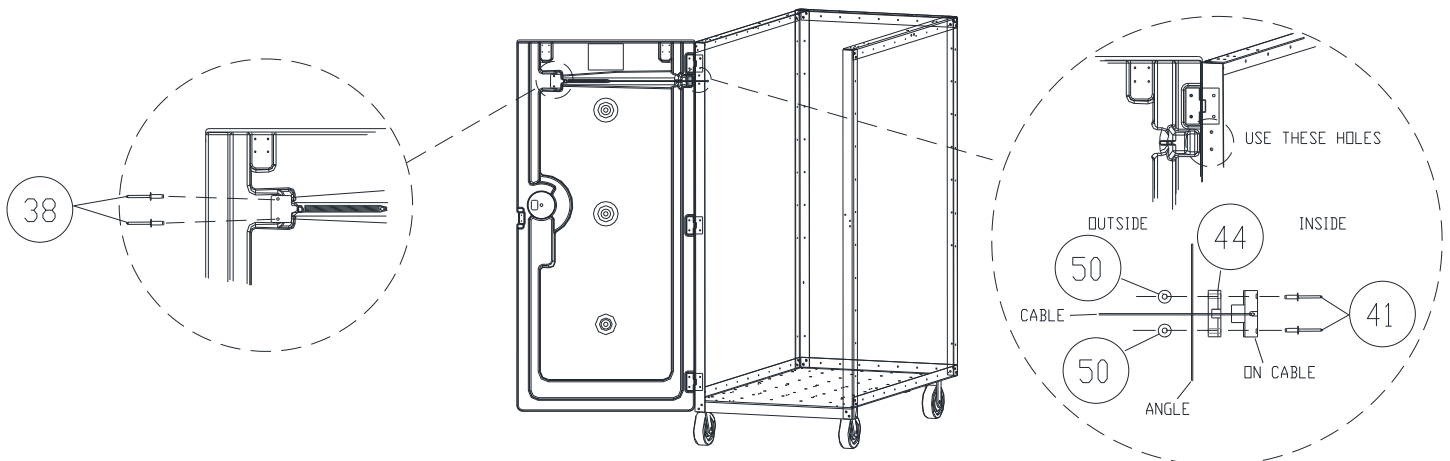
RIVET THE #10 DOOR ASSY TO ANGLE USING #39 RIVET (THROUGH HINGE THEN ANGLE) AND #50 WASHER (ON INSIDE OF TOILET) AS SHOWN. REPEAT ON REMAINING HINGES.



15. FASTEN SPACER AND CABLE ANCHOR TO ANGLE.

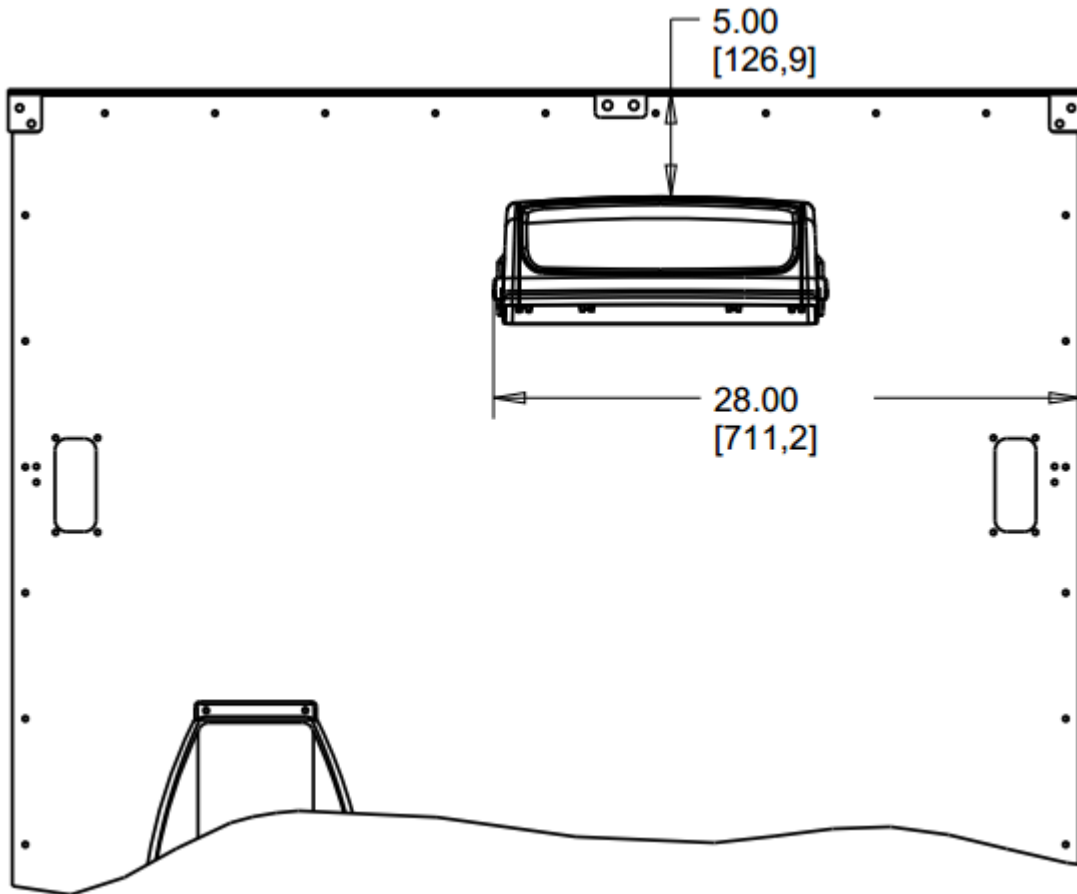
PLACE THE #44 SPACER UNDER THE CABLE ANCHOR BRACKET. INSERT (2) #41 RIVET THROUGH BOTH HOLES IN BRACKET AND THROUGH SPACER. ATTACH TO HOLES IN ANGLE BELOW TOP HINGE WITH #50 WASHERS ON OUTSIDE OF ANGLE. **NOTE:** NEED TO HOLD DOOR PART WAY OPEN TO PLACE WASHERS ON RIVETS.

FASTEN SPRING ANCHOR TO DOOR WITH #38 RIVETS. **NOTE:** NEED TO PULL BRACKET INTO POSITION ON DOOR AND INSERT RIVETS THROUGH BRACKET INTO HOLES IN DOOR.



16. INSTALLATION OF 3 ROLL PAPERGUARD.

LOCATE PAPERGUARD #13 ON LEFT PANEL, AS SHOWN, AND MARK LOCATIONS OF HOLES THROUGH THE (4) HOLES INSIDE OF THE PAPERGUARD. DRILL AT THE MARKED LOCATIONS WITH A ¼" DRILL BIT. FASTEN PAPERGUARD HOOD WITH THE #42 RIVETS FROM THE OUTSIDE AND #50 WASHERS ON THE INSIDE OF THE UNIT. PLACE #46 SPINDLE THROUGH PAPERGUARD.



2530 Xenium Lane North, Minneapolis, MN 55441
Telephone: 763-553-1900 / Fax: 763-553-1905
800-328-3332/ www.satelliteindustries.com